

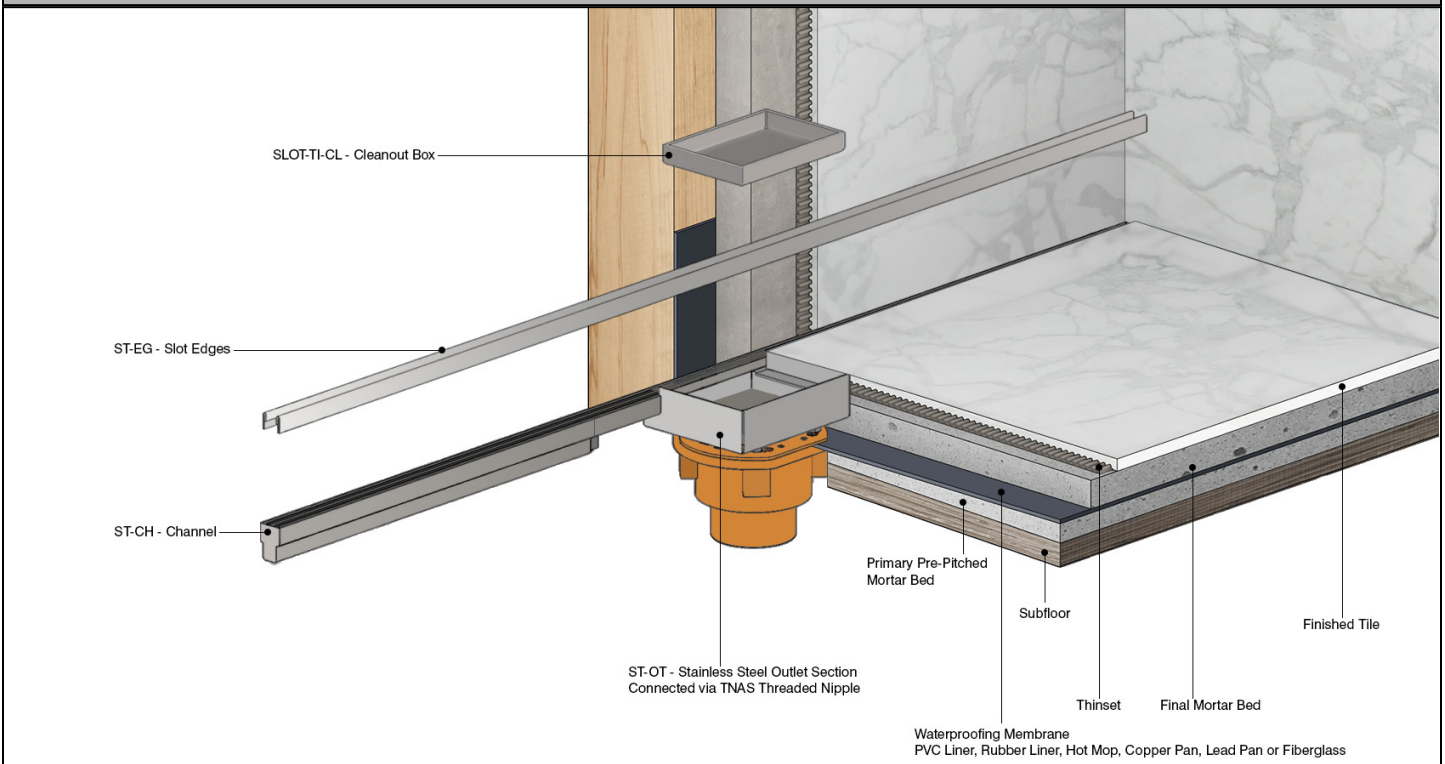
## S-SLOTAS Site Sizable Series

- S-SLOTAS 36 - 36" Complete Kit
- S-SLOTAS 48 - 48" Complete Kit
- S-SLOTAS 60 - 60" Complete Kit
- S-SLOTAS 72 - 72" Complete Kit
- S-SLOTAS 96 - 96" Complete Kit

### Features

- 16 gauge, 304L stainless steel Slot
- 16 gauge, 304L stainless steel Channel
- Modify length and outlet location on site
- Indoor or outdoor use
- Works with 2" clamp down floor with 2" throat/strainer size *(not included)*
- **NOT INTENDED** for installation across a barrier-free threshold
- Compatible with: PVC Liner, Rubber Liner (Chloraloy®), Hot Mop, Lead Pan, Copper Pan, or Fiberglass
- Flow rate - 9 gpm per outlet
  - Flow rate measured at outlet only. Measurement does not account for water in channel or sheeting on shower floor.
  - Additional outlets can be added and combined into a larger waste line to increase flow rates

### Traditional Waterproofing Installation



### Care & Maintenance

S-SLOTAS stainless steel linear drain top grates are made of 304L stainless steel. This material is non-porous, hygienic, rust-free and extremely durable. Bar Keepers Friend® and Soft Scrub® are commonly available products that can be used to protect and clean your Satin Stainless drain cover. For stains that have been left for an excessive amount of time, stronger cleaning agents such as Steel Brite Cleaner may be needed. For all finishes we recommend using mild soap and a soft cloth for cleaning. DO NOT use any abrasive cleaners, scrub pads or allow household cleaning agents, such as bleach, to sit on the drain cover for a long period of time. Stainless steel does not rust. External factors, such as contamination from other highly ferrous metals, built up road salt, sea salt, or chlorine may have caused "surface" rust which can be removed using Barkeepers Friend®, Soft Scrub®, or Steel Brite Cleaner. Always follow the directions on the bottle. Follow proper maintenance procedures to prevent excessive surface rust. In areas of frequent exposure to salt, chlorine, and other chemical compounds, maintenance of the stainless grates should be performed at least 2-3 times per year.

**Infinity Drain**  
145 Dixon Avenue  
Amityville, NY 11701  
Phone: 516.767.6786  
Fax: 516.740.3066  
www.infinitydrain.com



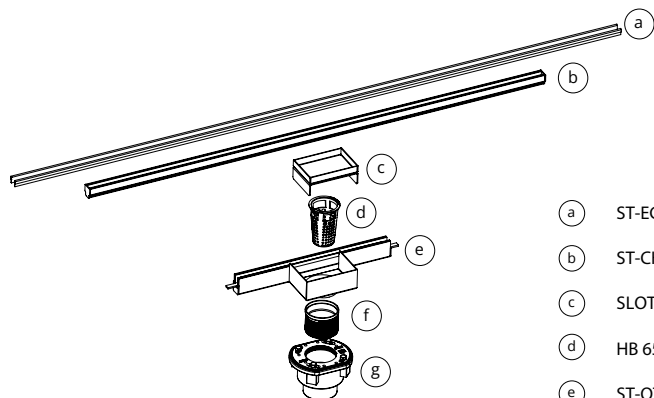
NOTE: Installer must verify all rough-in dimensions prior to installation and consult local and national codes. Conformity and compliance to local and national codes are the responsibility of the installer.

# ID Infinity Drain

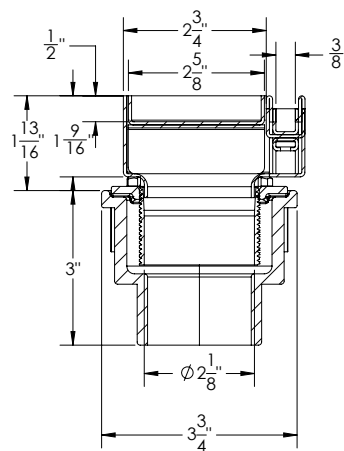
S-SLOTAS 36

S-SLOTAS 48

S-SLOTAS 60



- (a) ST-EG - Slot Edges
- (b) ST-CH - Channel
- (c) SLOT-TI-CL - Cleanout Box
- (d) HB 65 - Hair Basket
- (e) ST-OT - Stainless Steel Outlet Section
- (f) TNAS - Threaded Nipple
- (g) 2 inch clamp down drain assembly  
Not included in kit SKU.  
(Material can be Cast Iron, ABS, or PVC)



Model Number	Complete Kit Contents	A (Maximum Overall Length)	B (Maximum Grate Length)
S-SLOTAS 36	2 - ST-EG 36 Stainless Steel Slot Edges 1 - ST-CH 26 Channel 1 - ST-OT 10" Outlet Section 1 - SLOT-TI-CL Cleanout Box 1 - TNAS Threaded Nipple 1 - ZSIKA M1 Sealant 1 - HMK-SB Hair Maintenance Kit: 1 - HB Hair Basket 1 - SKEY Lift Out Key	36-1/8"	36"
S-SLOTAS 48	2 - ST-EG 48 Stainless Steel Slot Edges 1 - ST-CH 38 Channel 1 - ST-OT 10" Outlet Section 1 - SLOT-TI-CL Cleanout Box 1 - TNAS Threaded Nipple 1 - ZSIKA M1 Sealant 1 - HMK-SB Hair Maintenance Kit: 1 - HB Hair Basket 1 - SKEY Lift Out Key	48-1/8"	48"
S-SLOTAS 60	2 - ST-EG 60 Stainless Steel Slot Edges 1 - ST-CH 50 Channel 1 - ST-OT 10" Outlet Section 1 - SLOT-TI-CL Cleanout Box 1 - TNAS Threaded Nipple 1 - ZSIKA M1 Sealant 1 - HMK-SB Hair Maintenance Kit: 1 - HB Hair Basket 1 - SKEY Lift Out Key	60-1/8"	60"

## Finishes

<input type="checkbox"/> Satin Stainless (SS)	<input type="checkbox"/> Polished Stainless (PS)	<input type="checkbox"/> Oil Rubbed Bronze (ORB)	<input type="checkbox"/> Satin Bronze (SB)	<input type="checkbox"/> Matte Black (BK)
<input type="checkbox"/> Satin Champagne (SC)	<input type="checkbox"/> Polished Gold (PG)	<input type="checkbox"/> Polished Brass (PB)	<input type="checkbox"/> Gunmetal (GM)	<input type="checkbox"/> Matte White (MW)
<input type="checkbox"/> Satin Brass (SR)				

**Infinity Drain**  
 145 Dixon Avenue  
 Amityville, NY 11701  
 Phone: 516.767.6786  
 Fax: 516.740.3066  
 www.Infinitydrain.com

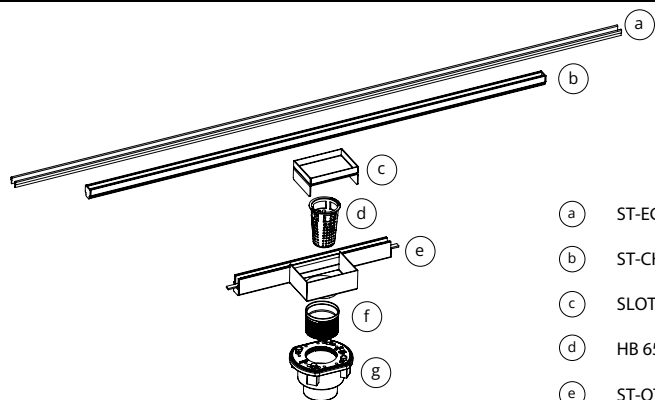


NOTE: Installer must verify all rough-in dimensions prior to installation and consult local and national codes. Conformity and compliance to local and national codes are the responsibility of the installer.

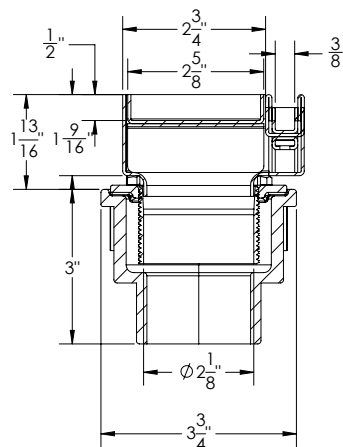
# ID Infinity Drain

## S-SLOTAS 72

## S-SLOTAS 96



- (a) ST-EG - Slot Edges
- (b) ST-CH - Channel
- (c) SLOT-TI-CL - Cleanout Box
- (d) HB 65 - Hair Basket
- (e) ST-OT - Stainless Steel Outlet Section
- (f) TNAS - Threaded Nipple
- (g) 2 inch clamp down drain assembly  
Not included in kit SKU.  
(Material can be Cast Iron, ABS, or PVC)



### SECTION A-A

Model Number	Complete Kit Contents	A (Maximum Overall Length)	B (Maximum Grate Length)
S-SLOTAS 72	2 - ST-EG 72 Stainless Steel Slot Edges 1 - ST-CH 62 Channel 2 - ST-OT 10" Outlet Sections 2 - SLOT-TI-CL Cleanout Box 2 - TNAS Threaded Nipple 1 - ZSIKA M1 Sealant 1 - HMK-2SB Hair Maintenance Kit: 2 - HB Hair Basket 1 - SKEY Lift Out Key	72-1/8"	72"
S-SLOTAS 96	2 - ST-EG 96 Stainless Steel Slot Edges 1 - ST-CH 86 Channel 2 - ST-OT 10" Outlet Sections 2 - SLOT-TI-CL Cleanout Box 2 - TNAS Threaded Nipple 1 - ZSIKA M1 Sealant 1 - HMK-2SB Hair Maintenance Kit: 2 - HB Hair Basket 1 - SKEY Lift Out Key	96-1/8"	96"

### Additional Available Components

ST-J	Straight joiner strip	ST-EG [Length] Slot Edge	Available in 36, 48, 60, 72 & 96" Lengths
ST 90	90° angle joiner for		
ST-EC	End Section for ST-OC channel	<b>Open Ended Channels</b>	
ST-OT	10" Outlet Section	ST-OC 48	48" Open Ended Channel
SLOT-TI-CL	Cleanout Box	ST-OC 96	96" Open Ended Channel
TNAS	Threaded Nipple		
ZSIKA	M-1 All Purpose Sealant	<b>Closed Ended Channels</b>	
		ST-CH [Length]	Available in 26, 38, 50, 62 & 86" Lengths

**Infinity Drain**  
145 Dixon Avenue  
Amityville, NY 11701  
Phone: 516.767.6786  
Fax: 516.740.3066  
www.Infinitydrain.com



NOTE: Installer must verify all rough-in dimensions prior to installation and consult local and national codes. Conformity and compliance to local and national codes are the responsibility of the installer.