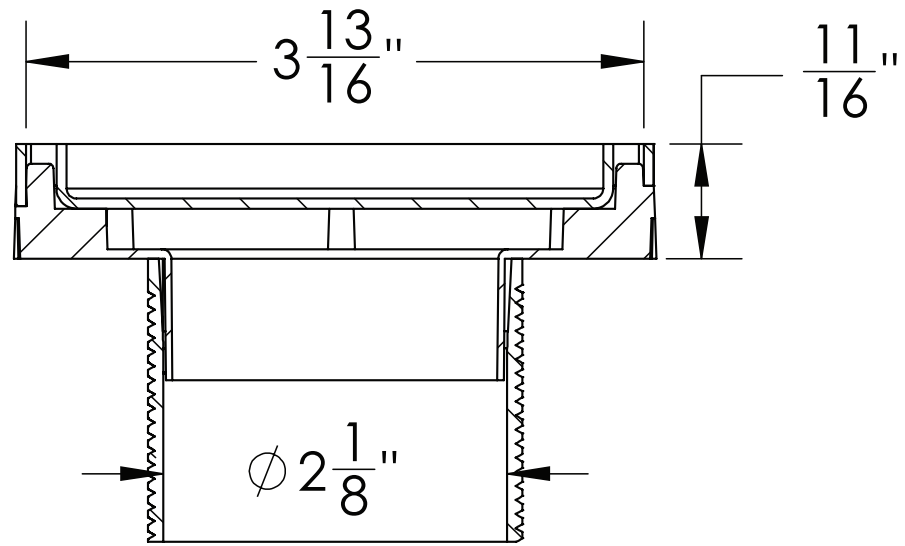


## 4"x4" Pro Series build up with Schluter Kerdi Bonding flange and UCR 2

Pro Series Strainer Kit: LT 4, LN 4, LQ 4, LS 4



SECTION 1-1

Pro Series build up with UCR 2 and Schluter Kerdi bonding flange

