

# Next Day Custom



Next Day Custom Linear Drains are available in five grate styles—Wedge Wire, Tile Insert, Offset Slotted, Solid, and Adhesion—ten finishes, and lengths up to 96 inches.

## **NEW** Solid Grate

The Solid Grate, crafted from 16 gauge 304L stainless steel, is now available as part of the Next Day Custom Program.



## **NEW** Specialty Finishes

In addition to our standard finishes, specialty finishes—including Gunmetal, Matte White, Polished Brass, Polished Gold, and Satin Champagne—are now available in the Next Day Custom Program.



## **NEW** Site Sizable PVC

- **Prepped and Ready:** Channel components, including channel trim, channel, and outlet sections, are cut to exact size, glued together, and ready for installation.
- **Custom Fabricated Grate:** Each order includes a grate customized to match the precise channel dimensions.



## Details for Next Day Custom Program:



- **Purchase Orders and Sign-Offs:** Received by 10 AM ET will ship the following day with no additional up-charge
- **Grate Styles:** Wedge Wire, Tile Insert, Offset Slotted, Solid and Adhesion
- **Finishes:** Satin Stainless, Polished Stainless, Oil Rubbed Bronze, Satin Bronze, Matte Black, Gunmetal, Matte White, Polished Brass, Polished Gold, and Satin Champagne
- **Linear Drains:** Available for lengths up to 96 inches
- **Installation Types:** FX Series, FF Series, FCB Series, FCS Series, and S Series
- **Custom Options:** Custom outlet placement or multiple outlets along the channel run
- **Order Limit:** 1 item (complete kit – channel and grate) per purchase order number



# Next Day Custom Form

ORDERS AND SIGN OFF IN BY 10 AM ET, SHIP NEXT DAY

## 1. Choose Grate Style

Note: Lengths exceeding the grate's maximum single length will be split into equal sections.

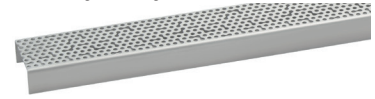
- 2 MM WEDGE WIRE**  
Maximum Single Grate Length: 72"



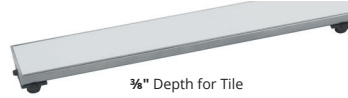
- OFFSET SLOTTED**  
Maximum Single Grate Length: 96"



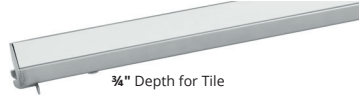
- ADHESION**  
Maximum Single Grate Length: 96"



- TILE INSERT FRAME**  
Maximum Single Grate Length: 60"



- TILE INSERT FRAME**  
Maximum Single Grate Length: 60"



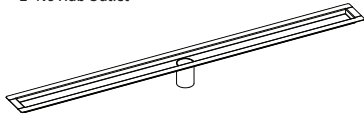
- SOLID**  
Maximum Single Grate Length: 96"



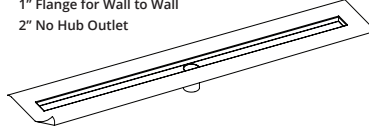
## 2. Choose Channel

\*Fixed Length (FX) & Site Sizable (S) installation requires selecting a finish, even when ordering only the channel. \*\*Clamp down drain not included

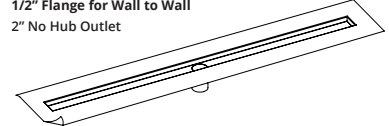
- FF Fixed Flange**  
1" Flange  
2" No Hub Outlet



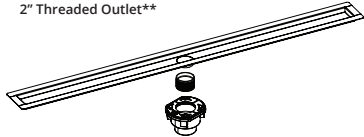
- FCS Flange with KERDI**  
Factory applied KERDI  
1" Flange for Wall to Wall  
2" No Hub Outlet



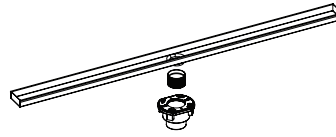
- NDC FCS Flange with KERDI**  
Factory applied KERDI  
1/2" Flange for Wall to Wall  
2" No Hub Outlet



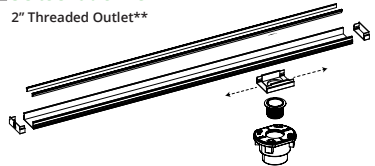
- FCB Double Waterproofing**  
1" Flange  
2" Threaded Outlet\*\*



- FX Fixed Length\***  
2" Threaded Outlet\*\*



- S Site Sizable PVC\***  
2" Threaded Outlet\*\*



## 3. Choose Finish

- SATIN STAINLESS
- POLISHED STAINLESS
- OIL RUBBED BRONZE
- SATIN BRONZE
- MATTE BLACK
- GUNMETAL
- MATTE WHITE
- POLISHED BRASS
- POLISHED GOLD
- SATIN CHAMPAGNE

## 4. Choose Length & Outlet Location(s) - (Up to 96" length)

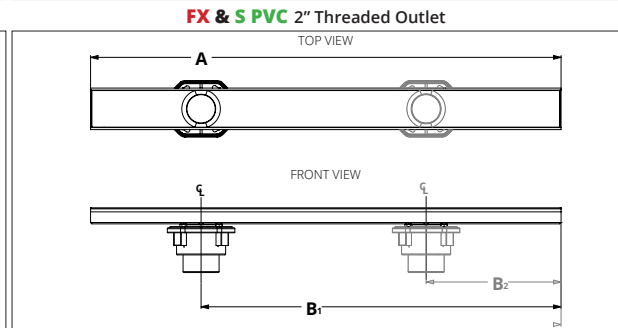
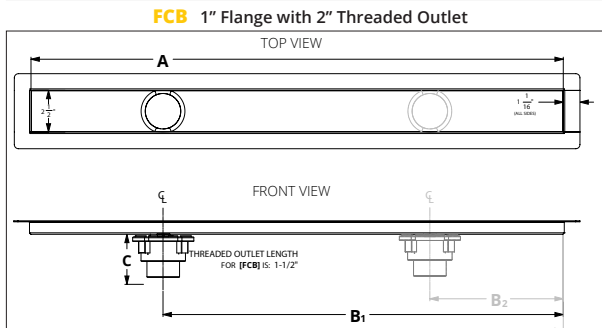
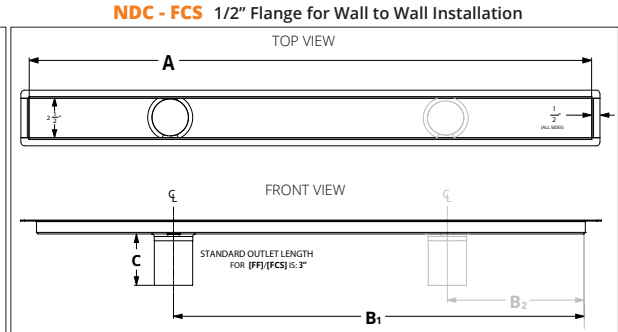
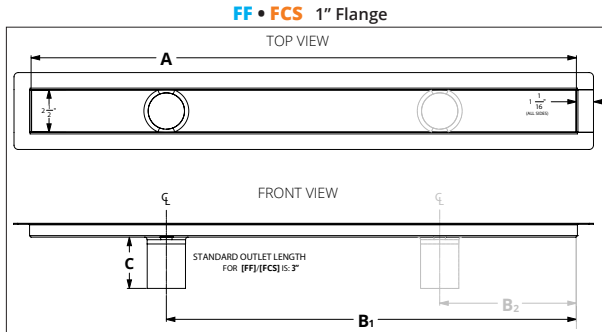
**A:** Overall Inside Length (FF, FCB, FCS)

**A:** Overall Length (FX)

**B1:** Outlet Location 1

**B2:** Outlet Location 2

(For additional outlet if needed)



## 5. Choose Shipping Method

- Ground
- Standard Overnight
- Priority Overnight (AM Delivery)

By signing this form, you are agreeing to the terms and conditions herein. All details and finishes stated are correct. All dimensions are correct and are to be held within a tolerance of +/- 1/16". All other details and dimensions that are specified as "standard" are subject to manufacturer's tolerance and change without notice. We can assume no responsibility for use of superseded or void data. All custom orders are non-cancellable, non-returnable and non-refundable.

Infinity Drain  
145 Dixon Avenue  
Amityville, NY 11701  
Phone: 516.767.6786  
Fax: 516.740.3066  
www.infinitydrain.com



APPROVAL

NAME	PO #/REFERENCE
SIGNATURE	DATE

Custom