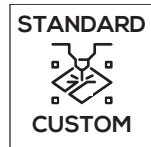


# FFC (Fixed Flange)

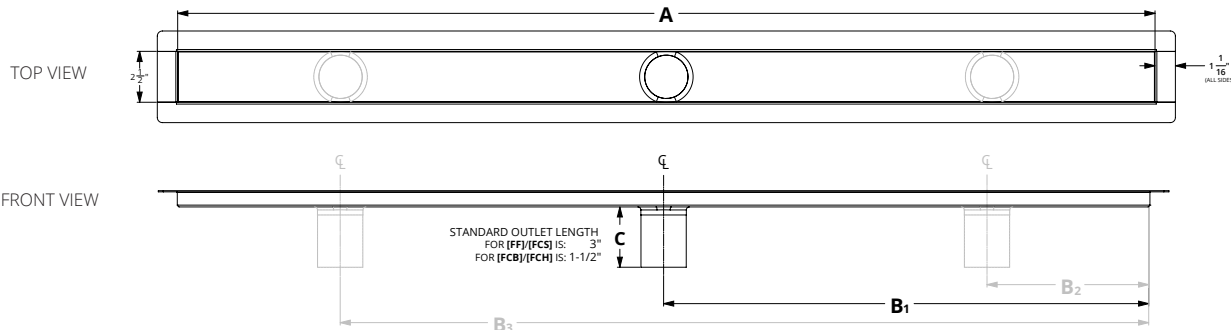
## Standard Custom Form



**FF** (Flanged) linear drains are designed for use with liquid applied (cold fluid applied) or fabric sheet membranes. The overall inside length of channel (**A**) is the finished length of the drain, with a 1-1/16" flange on all four sides to accept the waterproofing membrane. All outlet locations (**B**) are measured from the right inside channel edge. For this type of installation a mortar bed or equal is created up to and around the drain with the appropriate slope towards the drain. The waterproofing is applied over the mortar bed and the flange of the channel. Tile or stone is applied directly to the waterproofing for a low profile installation. The standard FC channel is provided with a 2" No-Hub Outlet.

Specialty channel options are available.

- **FCB** for Double Waterproofing - Comes with a 2" threaded outlet for use with a clamping drain body and a traditional membrane as a primary waterproofing and has the standard 1-1/16" for a liquid/fabric secondary waterproofing.
- **FCS** for Schluter®-KERDI Waterproofing - Comes with KERDI membrane factory applied to the channel for use with the Schluter®-KERDI system only. Uses a 2" No-Hub Outlet.
- **FCBS** for Double Waterproofing - Comes with a 2" threaded outlet for use with a clamping drain body and a traditional membrane as a primary waterproofing with KERDI membrane factory applied to the channel for use with the Schluter®-KERDI system as secondary waterproofing.
- **FCH** for Liquid or Fabric Waterproofing only - Comes with a 2" tapered male threaded outlet (MPT) for direct threaded connection to a 2" female (FPT) fitting.



A: Overall Inside Length	B1: Outlet Location 1	B2: Outlet Location 2	B3: Outlet Location 3	C: Outlet Length
<input type="checkbox"/>	<input type="checkbox"/>	<input type="checkbox"/>	<input type="checkbox"/>	<input type="checkbox"/>
FOR ADDITIONAL OUTLETS IF NEEDED				IF NOT STANDARD

Channel Option: **Choose (1)**

**FF Standard** 2" No Hub Outlet  
 **FCB Double Waterproofing** 2" Threaded Outlet  
 **FCS Flange with KERDI** Factory applied KERDI with 2" No Hub Outlet  
 **FCBS Double Waterproofing with KERDI** Factory applied KERDI with 2" Threaded Outlet  
 **FCH Tapered Threaded** 2" MPT Outlet

Note: Lengths exceeding the grate's maximum single length will be split into equal sections.

Grate Styles - Choose (1) Below		OR	Channel Only <input type="checkbox"/>	
<b>FFAS 25</b> 1" WIDE <input type="checkbox"/> WEDGE WIRE <b>SA 25 GRATE</b> Maximum Single Grate Length: 72"	<input type="checkbox"/>	<b>FFAS 38</b> 1 1/2" WIDE <input type="checkbox"/> WEDGE WIRE <b>SA 38 GRATE</b> Maximum Single Grate Length: 72"	<input type="checkbox"/>	<b>FFDG 65</b> CIRCLE PATTERN <b>PA 65 GRATE</b> Maximum Single Grate Length: 96"
<b>FFAS 65</b> 2 1/2" WIDE <input type="checkbox"/> WEDGE WIRE <b>SA 65 GRATE</b> Maximum Single Grate Length: 72"	<input type="checkbox"/>	<b>FFED 65</b> OFFSET OVAL PATTERN <b>EA 65 GRATE</b> Maximum Single Grate Length: 96"	<input type="checkbox"/>	<b>FFGR 65</b> ADHESION PATTERN <b>GA 65 GRATE</b> Maximum Single Grate Length: 96"
<b>FFAS 100</b> 3 15/16" WIDE <input type="checkbox"/> WEDGE WIRE <b>SA 100 GRATE</b> Maximum Single Grate Length: 72"	<input type="checkbox"/>	<b>FFMN 65</b> MARC NEWSON PATTERN <b>MA 65 GRATE</b> Maximum Single Grate Length: 96"	<input type="checkbox"/>	<b>FFIG 65</b> SLOTTED PATTERN <b>UA 65 GRATE</b> Maximum Single Grate Length: 96"
<b>FFAS 125</b> 5" WIDE <input type="checkbox"/> WEDGE WIRE <b>SA 125 GRATE</b> Maximum Single Grate Length: 72"	<input type="checkbox"/>	<b>FFSG 65</b> SOLID GRATE <b>SG 65 GRATE</b> Maximum Single Grate Length: 60"	<input type="checkbox"/>	<b>FFTIF 65</b> TILE INSERT <b>RA 65 GRATE</b> Maximum Single Grate Length: 60"

**Grate Finish - Choose (1)**

Satin Stainless (SS)  
 Polished Stainless (PS)  
 Oil Rubbed Bronze (ORB)  
 Satin Bronze (SB)  
 Matte Black (BK)  
 Gunmetal  
 Matte White  
 Satin Champagne  
 Polished Brass  
 Polished Gold  
 Custom Finish (Specify Color to Match)

Custom finishes can be made to match a sample provided by the customer. Contact Infinity Drain for availability of desired finish.

**Terms and Conditions:** By signing this form, you are agreeing to the terms and conditions herein. All details and finishes stated are correct. All dimensions are correct and are to be held within a tolerance of +/- 1/16". All other details and dimensions that are specified as "standard" are subject to manufacturer's tolerance and change without notice. We can assume no responsibility for use of superseded or void data. All custom orders are non-cancellable, non-returnable and non-refundable.

**Infinity Drain**  
 145 Dixon Avenue  
 Amityville, NY 11701  
 Phone: 516.767.6786  
 Fax: 516.740.3066  
 www.infinitydrain.com



<b>APPROVAL</b>	NAME <input type="checkbox"/>	JOB NAME/REFERENCE <input type="checkbox"/>
	SIGNATURE <input type="checkbox"/>	DATE <input type="checkbox"/>