

ID Infinity Drain



S-TIFAS 65 Stainless Steel Site Sizable Series

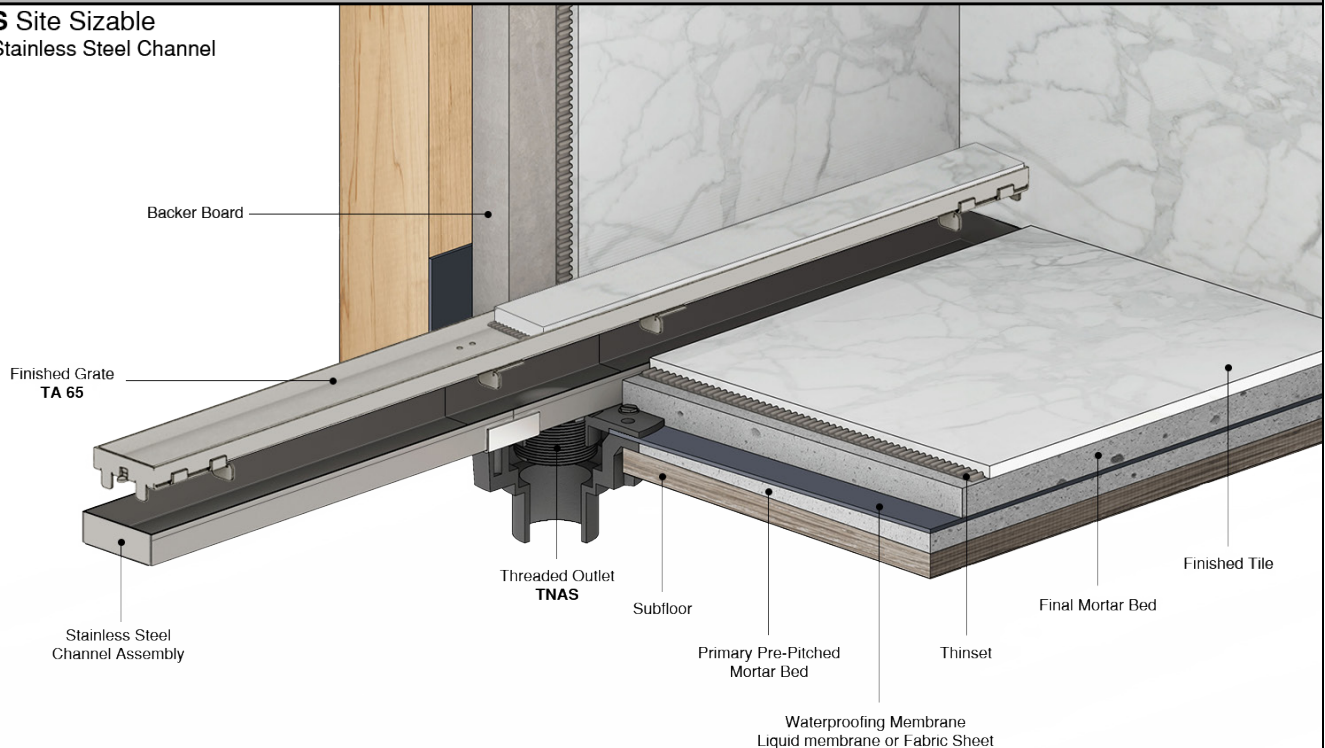
- S-TIFAS 6536 - 36" Complete Kit
- S-TIFAS 6548 - 48" Complete Kit
- S-TIFAS 6560 - 60" Complete Kit
- S-TIFAS 6572 - 72" Complete Kit
- S-TIFAS 6596 - 96" Complete Kit

Features

- 12 gauge, 304L stainless steel Tile Insert Frame
- Modify length and outlet location on site
- Indoor or outdoor use
- Stainless steel channel
- Works with 2" clamp down floor with 2" throat/strainer size (*not included*)
- **NOT INTENDED** for installation across a barrier-free threshold
- Compatible with: PVC Liner, Rubber Liner (Chloraloy®), Hot Mop, Lead Pan, Copper Pan, or Fiberglass
- Flow rate - 9 gpm per outlet
 - Flow rate measured at outlet only. Measurement does not account for water in channel or sheeting on shower floor.
 - Additional outlets can be added and combined into a larger waste

Installation

S Site Sizable Stainless Steel Channel



Care & Maintenance

S-TIFAS 65 stainless steel linear drain top grates are made of 304L stainless steel. This material is non-porous, hygienic, rust-free and extremely durable. Bar Keepers Friend® and Soft Scrub® are commonly available products that can be used to protect and clean your Satin Stainless drain cover. For stains that have been left for an excessive amount of time, stronger cleaning agents such as Compound 302® may be needed. For all finishes we recommend using mild soap and a soft cloth for cleaning. **DO NOT** use any abrasive cleaners, scrub pads or allow household cleaning agents, such as bleach, to sit on the drain cover for a long period of time. Stainless steel does not rust. External factors, such as contamination from other highly ferrous metals, built up road salt, sea salt, or chlorine may have caused "surface" rust which can be removed using Barkeepers Friend®, Soft Scrub®, or Steel Brite Cleaner. Always follow the directions on the bottle. Follow proper maintenance procedures to prevent excessive surface rust. In areas of frequent exposure to salt, chlorine, and other chemical compounds, maintenance of the stainless grates should be performed at least 2-3 times per year.

Infinity Drain
145 Dixon Avenue
Amityville, NY 11701
Phone: 516.767.6786
Fax: 516.740.3066
www.Infinitydrain.com



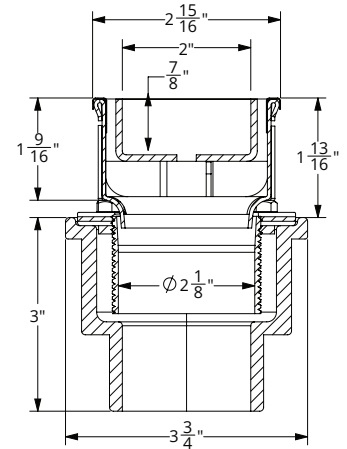
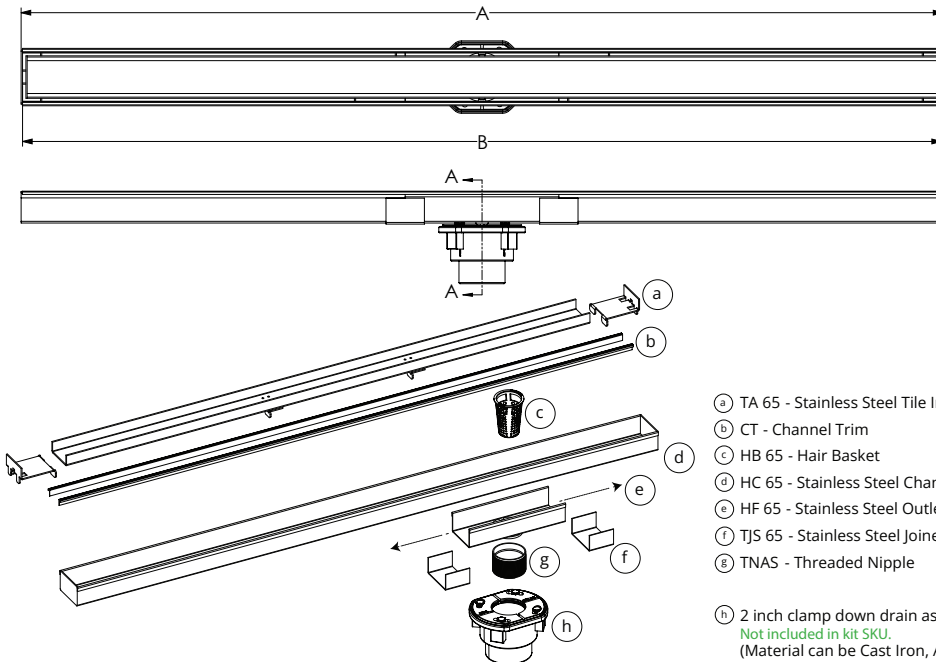
NOTE: Installer must verify all rough-in dimensions prior to installation and consult local and national codes. Conformity and compliance to local and national codes are the responsibility of the installer.

ID Infinity Drain

S-TIFAS 6536

S-TIFAS 6548

S-TIFAS 6560



SECTION A-A

- Ⓐ TA 65 - Stainless Steel Tile Insert Assembly
- Ⓑ CT - Channel Trim
- Ⓒ HB 65 - Hair Basket
- Ⓓ HC 65 - Stainless Steel Channel (ships as one piece)
- Ⓔ HF 65 - Stainless Steel Outlet Section
- Ⓕ TJS 65 - Stainless Steel Joiner Strip
- Ⓖ TNAS - Threaded Nipple
- Ⓗ 2 inch clamp down drain assembly
Not included in kit SKU.
(Material can be Cast Iron, ABS, or PVC)

Model Number	Complete Kit Contents	A Maximum Overall Length	B Maximum Grate Length
□ S-TIFAS 6536	1 - TA 6536 Tile Insert Frame 1 - HC 6528 Channel 1 - HF 65 8" Outlet Section 2 - TJS 65 Joiner Strips 1 - TNAS Threaded Nipple	36"	35 7/8"
□ S-TIFAS 6548	1 - TA 6548 Tile Insert Frame 1 - HC 6540 Channel 1 - HF 65 8" Outlet Section 2 - TJS 65 Joiner Strips 1 - TNAS Threaded Nipple	48"	47 7/8"
□ S-TIFAS 6560	1 - TA 6560 Tile Insert Frame 1 - HC 6552 Channel 1 - HF 65 8" Outlet Section 2 - TJS 65 Joiner Strips 1 - TNAS Threaded Nipple	60"	59 7/8"

Finishes

- Satin Stainless (SS)
 Polished Stainless (PS)
 Oil Rubbed Bronze (ORB)
 Satin Bronze (SB)
 Matte Black (BK)

Infinity Drain
 145 Dixon Avenue
 Amityville, NY 11701
 Phone: 516.767.6786
 Fax: 516.740.3066
 www.Infinitydrain.com

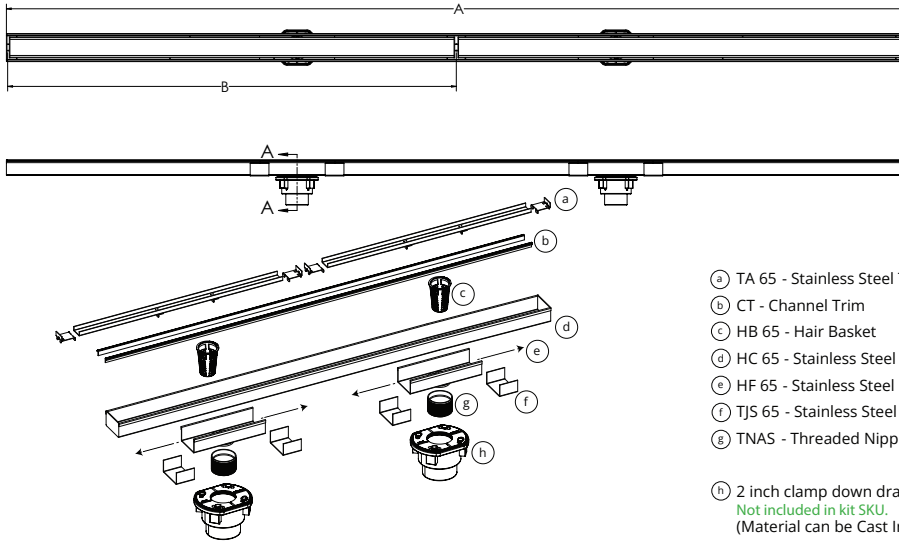


NOTE: Installer must verify all rough-in dimensions prior to installation and consult local and national codes. Conformity and compliance to local and national codes are the responsibility of the installer.

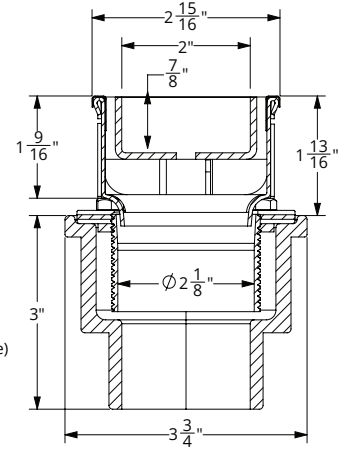
ID Infinity Drain

S-TIFAS 6572

S-TIFAS 6596



- Ⓐ TA 65 - Stainless Steel Tile Insert Assembly
- Ⓑ CT - Channel Trim
- Ⓒ HB 65 - Hair Basket
- Ⓓ HC 65 - Stainless Steel Channel (ships as one piece)
- Ⓔ HF 65 - Stainless Steel Outlet Section
- Ⓕ TJS 65 - Stainless Steel Joiner Strip
- Ⓖ TNAS - Threaded Nipple
- Ⓗ 2 inch clamp down drain assembly
Not included in kit SKU.
(Material can be Cast Iron, ABS, or PVC)



SECTION A-A

Model Number	Complete Kit Contents	A Maximum Overall Length	B Maximum Grate Length
S-TIFAS 6572	2 - TA 6540 Tile Insert Frames 1 - HC 6564 Channel 2 - HF 65 8" Outlet Sections 4 - TJS 65 Joiner Strips 2 - TNAS Threaded Nipples	72"	35 7/8" (x 2)
S-TIFAS 6596	2 - TA 6548 Tile Insert Frames 1 - HC 6588 Channel 2 - HF 65 8" Outlet Sections 4 - TJS 65 Joiner Strip 2 - TNAS Threaded Nipples	96"	47 7/8" (x 2)

Optional Components

TNAS-2	2" Long Stainless Steel Rescue Nipple
TNAS-3	3" Long Stainless Steel Rescue Nipple
TNAS-4	4" Long Stainless Steel Rescue Nipple
TNRN-P	PVC Threaded Extension Nipple
UCP 2	Universal 2" Clamping Plate
UCP 42	Universal Reducing Plate (Adapts 4" or 3" existing throat size to 2")

Available components for longer lengths

TA 6536	36" Tile Insert Frame	TE 65	2" Stainless Steel End Section
TA 6548	48" Tile Insert Frame	TJS 65	Stainless Steel Joiner Strip
TA 6560	60" Tile Insert Frame	SHA 65	Stainless Steel 90° Angle Joiner
TC 6548	48" Stainless Open Ended Channel	HB 65	2" Hair Basket
TC 6596	96" Stainless Open Ended Channel	HF 65	8" Stainless Steel Outlet Section
HC 6528	28" Stainless Closed Channel	TNAS	Stainless Steel Threaded Nipple
HC 6536	36" Stainless Closed Channel	CT 40	40" Channel Trim
HC 6552	52" Stainless Closed Channel	CT 48	48" Channel Trim
HC 6564	64" Stainless Closed Channel	CT 60	60" Channel Trim
HC 6588	88" Stainless Closed Channel	CT 80	80" Channel Trim
		CT 96	96" Channel Trim

Infinity Drain
 145 Dixon Avenue
 Amityville, NY 11701
 Phone: 516.767.6786
 Fax: 516.740.3066
 www.Infinitydrain.com



NOTE: Installer must verify all rough-in dimensions prior to installation and consult local and national codes. Conformity and compliance to local and national codes are the responsibility of the installer.