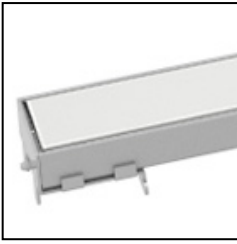


ID Infinity Drain



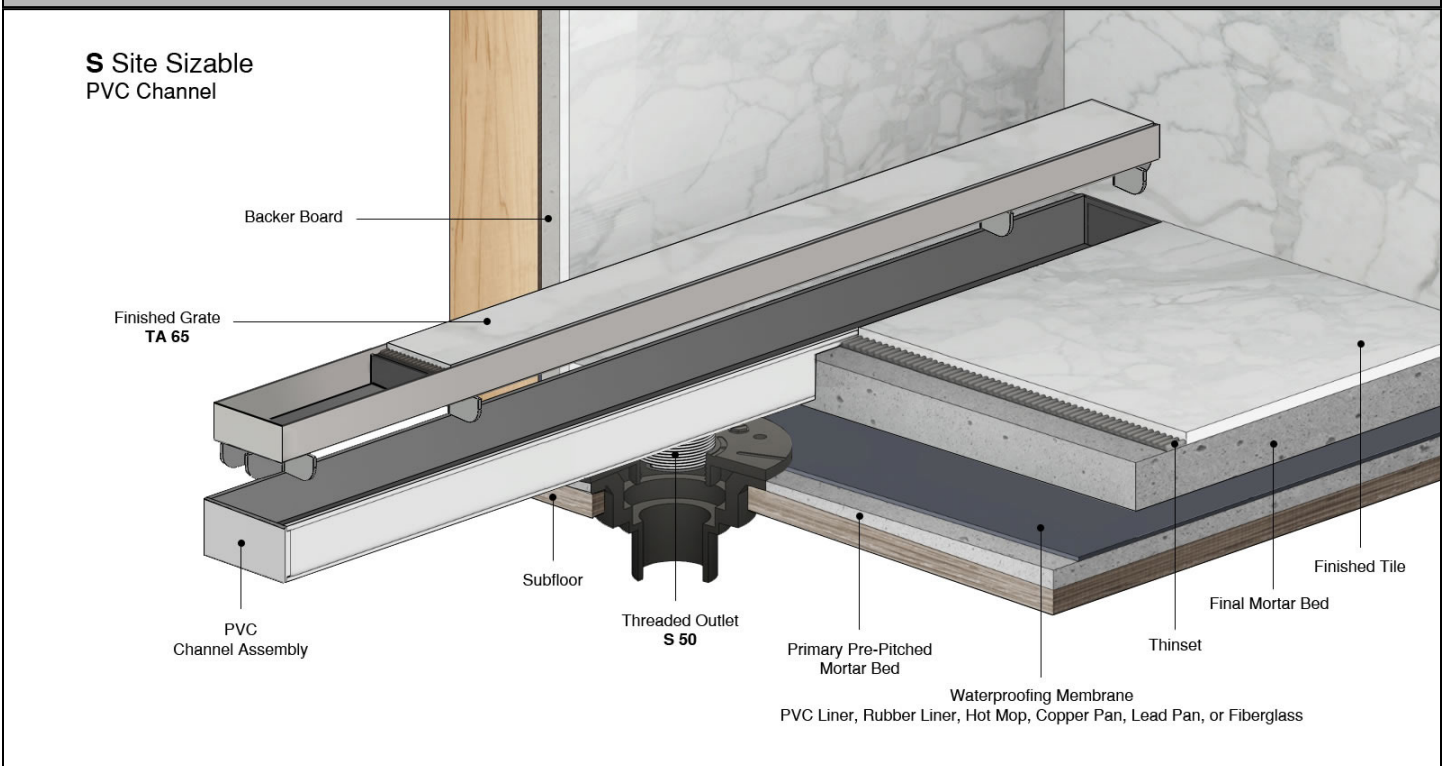
S-TIF 65 Site Sizable Series

- S-TIF 6536 - 36" Complete Kit
- S-TIF 6548 - 48" Complete Kit
- S-TIF 6560 - 60" Complete Kit
- S-TIF 6572 - 72" Complete Kit
- S-TIF 6596 - 96" Complete Kit

Features

- 12 gauge, 304L stainless steel Tile Insert Frame
- Modify length and outlet location on site
- Indoor or outdoor use
- PVC Channel
- Works with 2" clamp down floor with 2" throat/strainer size *(not included)*
- **NOT INTENDED** for installation across a barrier-free threshold
- Compatible with: PVC Liner, Rubber Liner (Chloraloy®), Hot Mop, Lead Pan, Copper Pan, or Fiberglass
- Flow rate - 9 gpm per outlet
 - Flow rate measured at outlet only. Measurement does not account for water in channel or sheeting on shower floor.
 - Additional outlets can be added and combined into a larger waste

Installation



Care & Maintenance

S-TIF 65 stainless steel linear drain top grates are made of 304L stainless steel. This material is non-porous, hygienic, rust-free and extremely durable. Bar Keepers Friend® and Soft Scrub® are commonly available products that can be used to protect and clean your Satin Stainless drain cover. For stains that have been left for an excessive amount of time, stronger cleaning agents such as Steel Brite Cleaner may be needed. For all finishes we recommend using mild soap and a soft cloth for cleaning. **DO NOT** use any abrasive cleaners, scrub pads or allow household cleaning agents, such as bleach, to sit on the drain cover for a long period of time. Stainless steel does not rust. External factors, such as contamination from other highly ferrous metals, built up road salt, sea salt, or chlorine may have caused "surface" rust which can be removed using Barkeepers Friend®, Soft Scrub®, or Steel Brite Cleaner. Always follow the directions on the bottle. Follow proper maintenance procedures to prevent excessive surface rust. In areas of frequent exposure to salt, chlorine, and other chemical compounds, maintenance of the stainless grates should be performed at least 2-3 times per year.

Infinity Drain
145 Dixon Avenue
Amityville, NY 11701
Phone: 516.767.6786
Fax: 516.740.3066
www.infinitydrain.com



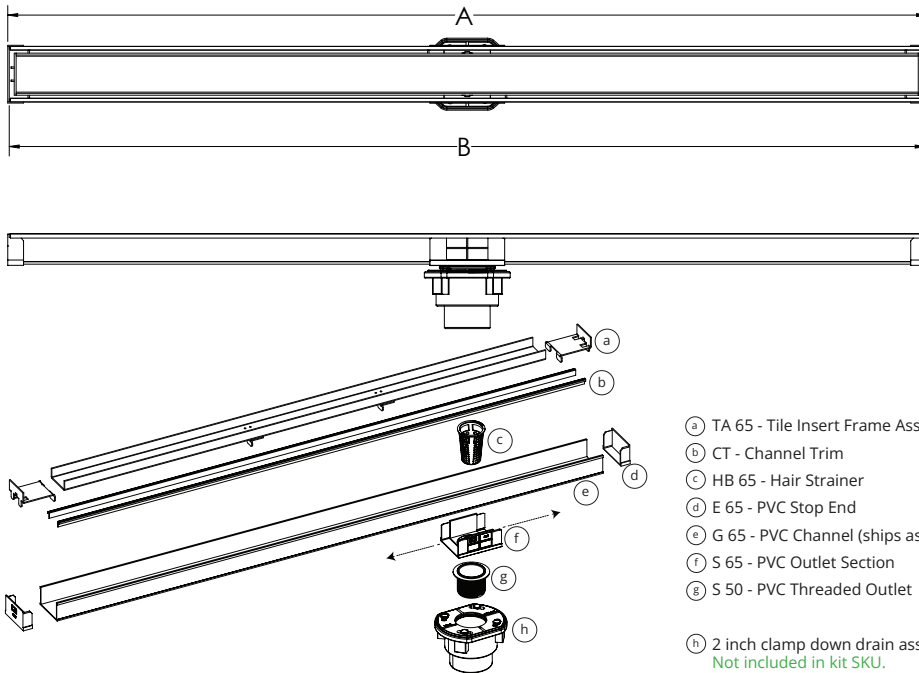
NOTE: Installer must verify all rough-in dimensions prior to installation and consult local and national codes. Conformity and compliance to local and national codes are the responsibility of the installer.

ID Infinity Drain

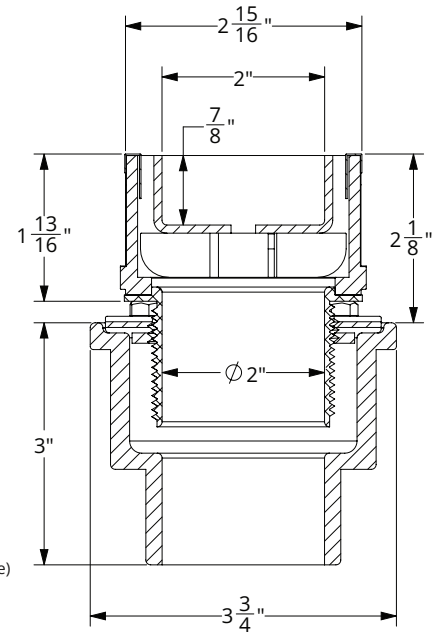
S-TIF 6536

S-TIF 6548

S-TIF 6560



- (a) TA 65 - Tile Insert Frame Assembly
- (b) CT - Channel Trim
- (c) HB 65 - Hair Strainer
- (d) E 65 - PVC Stop End
- (e) G 65 - PVC Channel (ships as one piece)
- (f) S 65 - PVC Outlet Section
- (g) S 50 - PVC Threaded Outlet
- (h) 2 inch clamp down drain assembly
Not included in kit SKU.
(Material can be Cast Iron, ABS, or PVC)



SECTION A-A

Model Number	Complete Kit Contents	A (Maximum Overall Length)	B (Maximum Grate Length)
S-TIF 6536	1 - TA 6536 Tile Insert Frame 1 - G 6536 PVC Channel 1 - CS 6536 Channel Spacer 2 - E 65 PVC Stop End 1 - S 65 PVC Outlet Section 1 - S 50 PVC Threaded Outlet 1 - HMK-65-A: 1 - HB 65 Hair Basket 1 - AKEY Lift Out Key	36"	35 7/8"
S-TIF 6548	1 - TA 6548 Tile Insert Frame 1 - G 6548 PVC Channel 1 - CS 6548 Channel Spacer 2 - E 65 PVC Stop End 1 - S 65 PVC Outlet Section 1 - S 50 PVC Threaded Outlet 1 - HMK-65-A: 1 - HB 65 Hair Basket 1 - AKEY Lift Out Key 2 - CT 48 Channel Trims	48"	47 7/8"
S-TIF 6560	1 - TA 6560 Tile Insert Frame 1 - G 6560 PVC Channel 1 - CS 6560 Channel Spacer 2 - E 65 PVC Stop End 1 - S 65 PVC Outlet Section 1 - S 50 PVC Threaded Outlet 1 - HMK-65-A: 1 - HB 65 Hair Basket 1 - AKEY Lift Out Key 2 - CT 60 Channel Trims	60"	59 7/8"

Finishes

- Satin Stainless (SS)
- Polished Stainless (PS)
- Oil Rubbed Bronze (ORB)
- Satin Bronze (SB)
- Matte Black (BK)
- Satin Champagne (SC)
- Polished Gold (PG)
- Polished Brass (PB)
- Gunmetal (GM)
- Matte White (MW)

Infinity Drain
 145 Dixon Avenue
 Amityville, NY 11701
 Phone: 516.767.6786
 Fax: 516.740.3066
 www.Infinitydrain.com

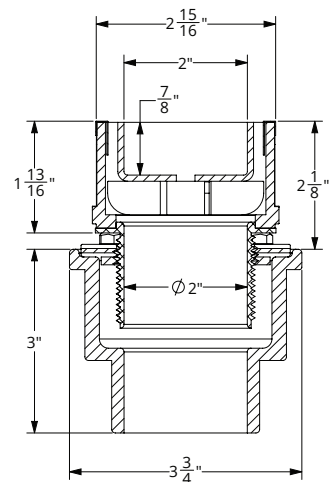
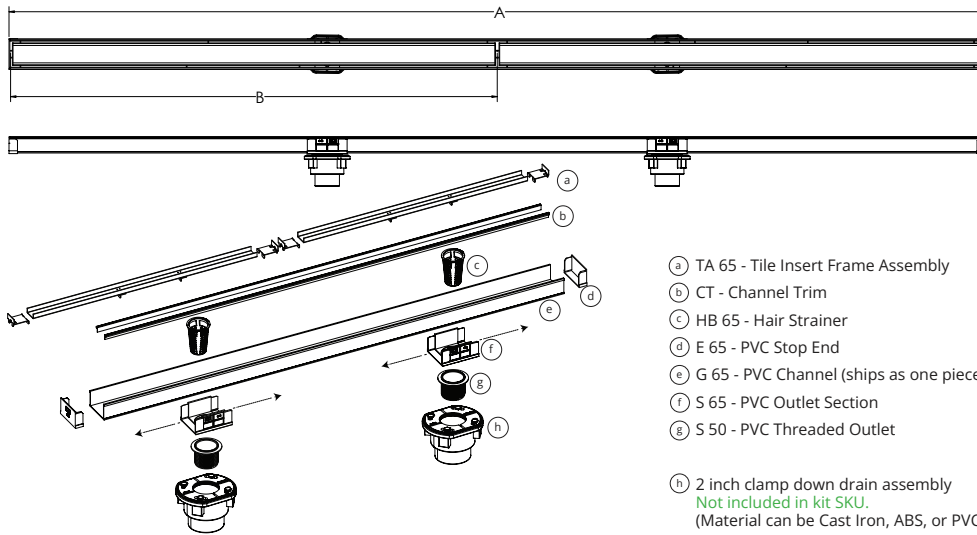


NOTE: Installer must verify all rough-in dimensions prior to installation and consult local and national codes. Conformity and compliance to local and national codes are the responsibility of the installer.

ID Infinity Drain

S-TIF 6572

S-TIF 6596



SECTION A-A

- (a) TA 65 - Tile Insert Frame Assembly
- (b) CT - Channel Trim
- (c) HB 65 - Hair Strainer
- (d) E 65 - PVC Stop End
- (e) G 65 - PVC Channel (ships as one piece)
- (f) S 65 - PVC Outlet Section
- (g) S 50 - PVC Threaded Outlet
- (h) 2 inch clamp down drain assembly
Not included in kit SKU.
(Material can be Cast Iron, ABS, or PVC)

Model Number	Complete Kit Contents	A (Maximum Overall Length)	B (Maximum Grate Length)
S-TIF 6572	2 - TA 6536 Tile Insert Frames 1 - G 6536 PVC Channel 1 - CS 6536 Channel Spacer 2 - E 65 PVC Stop Ends 2 - S 65 PVC Outlet Sections 2 - S 50 PVC Threaded Outlets 1 - HMK-65-2A: 2 - HB 65 Hair Baskets 1 - AKEY Lift Out Key	72"	35 7/8" (x 2)
S-TIF 6596	2 - TA 6548 Tile Insert Frames 1 - G 6596 PVC Channel 2 - CS 6580 Channel Spacer 2 - E 65 PVC Stop Ends 2 - S 65 PVC Outlet Sections 2 - S 50 PVC Threaded Outlets 1 - HMK-65-2A: 2 - HB 65 Hair Baskets 1 - AKEY Lift Out Key	96"	47 7/8" (x 2)

Optional Components

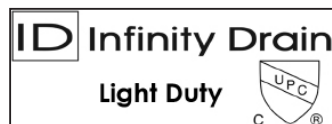
F 65	PVC Non-Threaded Outlet
GJC 65	PVC Straight Joiner Strip
GAM 65	PVC 90° Angle Joiner
TNRN-P	PVC Threaded Extension Nipple
UCP 2	Universal 2" Clamping Plate
UCP 4	Universal 4" Clamping Plate
UCP 42	Universal Reducing Plate (Adapts 4" or 3" existing throat size to 2")

Available components for longer lengths

TA 6536	36" Tile Insert Frame	E 65	PVC Stop End
TA 6548	48" Tile Insert Frame	S 50	PVC Threaded Nipple
TA 6560	60" Tile Insert Frame	CT 36	36" Channel Trim
G 6536	36" PVC Channel	CT 48	48" Channel Trim
G 6548	48" PVC Channel	CT 60	60" Channel Trim
G 6560	60" PVC Channel	CT 96	96" Channel Trim
G 6596	96" PVC Channel		
G 6580	80" PVC Channel		
G 65108	108" PVC Channel		

NOTE: For indoor applications and outdoor applications where exposure to users without footwear is possible Channel trim (CT) is not recommended on drains over 96" or drains with configurations that include turns. The installation of channel trim on site sizeable linear drains that fall within the outlined conditions listed are at the judgement of the installer, independent of Infinity Drain, LTD.

Infinity Drain
 145 Dixon Avenue
 Amityville, NY 11701
 Phone: 516.767.6786
 Fax: 516.740.3066
 www.Infinitydrain.com



NOTE: Installer must verify all rough-in dimensions prior to installation and consult local and national codes. Conformity and compliance to local and national codes are the responsibility of the installer.