

ID Infinity Drain



S-LTAS 65 Stainless Steel Site Sizable Series

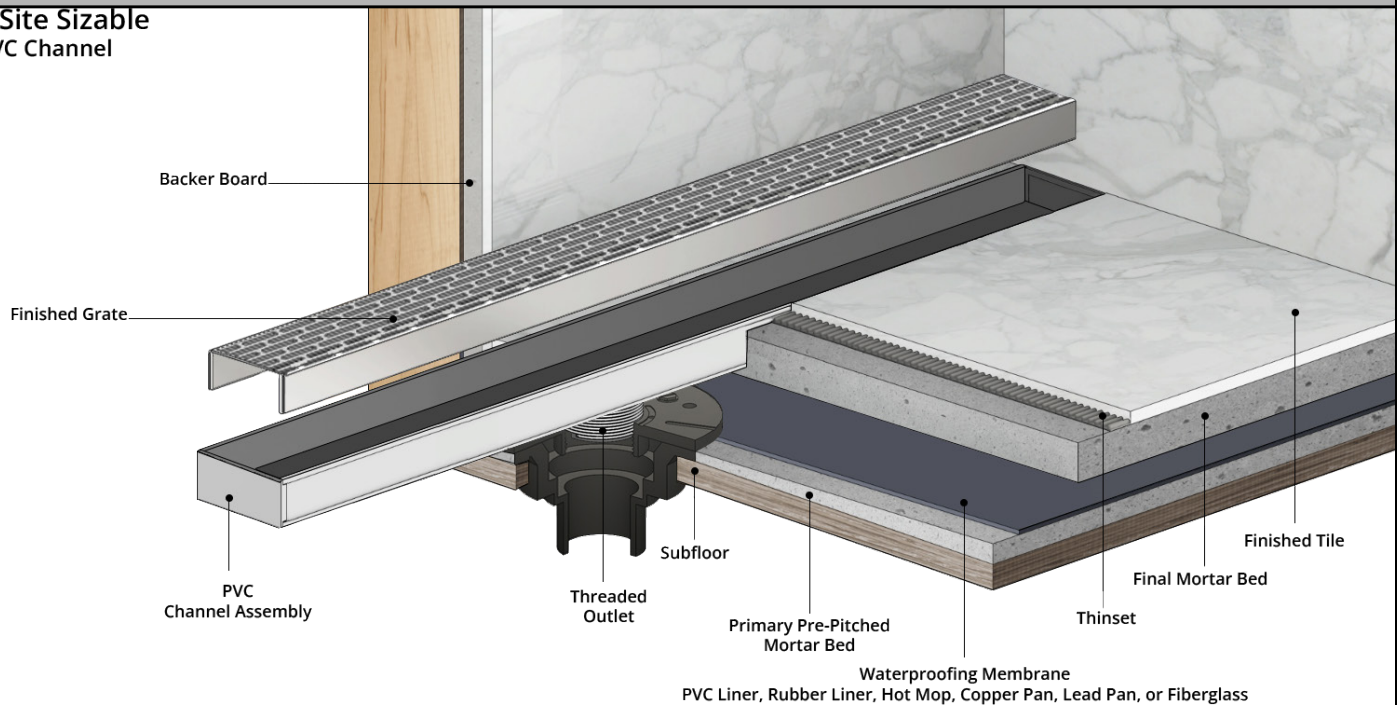
- S-LTAS 6540 - 40" Complete Kit
- S-LTAS 6548 - 48" Complete Kit
- S-LTAS 6560 - 60" Complete Kit
- S-LTAS 6580 - 80" Complete Kit
- S-LTAS 6596 - 96" Complete Kit

Features

- 16 gauge, 304L stainless steel grate
- Modify length and outlet location on site
- Indoor or outdoor use
- Stainless steel channel
- Works with 2" clamp down floor with 2" throat/strainer size *(not included)*
- Compatible with: PVC Liner, Rubber Liner (Chloraloy®), Hot Mop, Lead Pan, Copper Pan, or Fiberglass
- Flow rate - 9 gpm per outlet
 - Flow rate measured at outlet only. Measurement does not account for water in channel or sheeting on shower floor.
 - Additional outlets can be added and combined into a larger waste line to increase flow rates

Installation

S Site Sizable PVC Channel



Care & Maintenance

S-LTAS 65 stainless steel linear drain top grates are made of 304L stainless steel. This material is non-porous, hygienic, rust-free and extremely durable. Bar Keepers Friend® and Soft Scrub® are commonly available products that can be used to protect and clean your Satin Stainless drain cover. For stains that have been left for an excessive amount of time, stronger cleaning agents such as Compound 302® may be needed. For all finishes we recommend using mild soap and a soft cloth for cleaning. DO NOT use any abrasive cleaners, scrub pads or allow household cleaning agents, such as bleach, to sit on the drain cover for a long period of time. Stainless steel does not rust. External factors, such as contamination from other highly ferrous metals, built up road salt, sea salt, or chlorine may have caused "surface" rust which can be removed using Barkeepers Friend®, Soft Scrub®, or Steel Brite Cleaner. Always follow the directions on the bottle. Follow proper maintenance procedures to prevent excessive surface rust. In areas of frequent exposure to salt, chlorine, and other chemical compounds, maintenance of the stainless grates should be performed at least 2-3 times per year.

Infinity Drain
145 Dixon Avenue
Amityville, NY 11701
Phone: 516.767.6786
Fax: 516.740.3066
www.infinitydrain.com



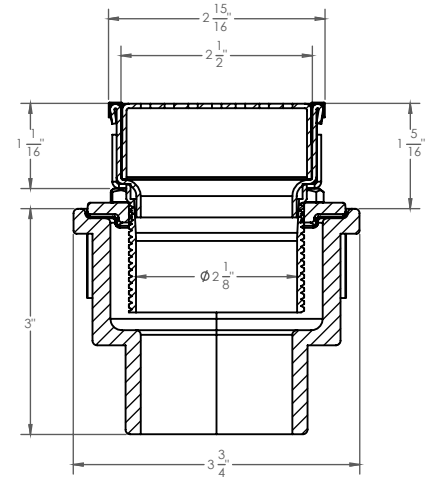
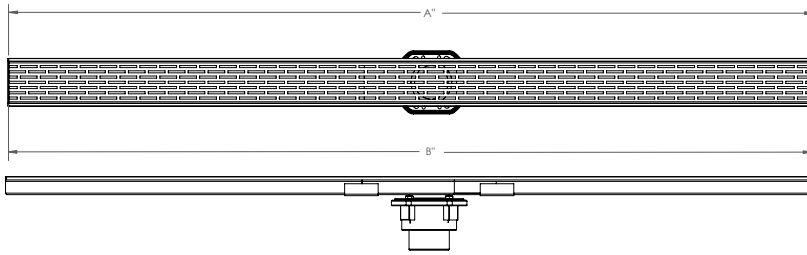
NOTE: Installer must verify all rough-in dimensions prior to installation and consult local and national codes. Conformity and compliance to local and national codes are the responsibility of the installer.

ID Infinity Drain

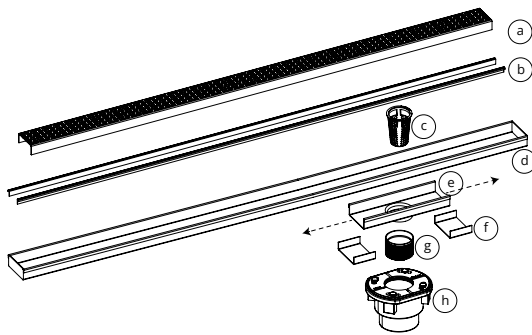
S-LTAS 6536

S-LTAS 6548

S-LTAS 6560



SECTION A-A



- (a) KA 65 - Stainless Steel Grate
- (b) CT - Channel Trim
- (c) HB 65 - Hair Basket
- (d) LC 65 - Stainless Steel Channel (ships as one piece)
- (e) LF 65 - Stainless Steel Outlet Section
- (f) GJS 65 - Stainless Steel Joiner Strip
- (g) TNAS - Threaded Nipple
- (h) 2 inch clamp down drain assembly
Not included in kit SKU.
(Material can be Cast Iron, ABS, or PVC)

Model Number	Complete Kit Contents	A Maximum Overall Length	B Maximum Grate Length
S-LTAS 6536	1 - KA 6536 Stainless Steel Grate 1 - LC 6532 Channel 1 - LF 65 8" Outlet Section 2 - GJS 65 Joiner Strips 1 - TNAS Threaded Nipple	36"	35 7/8"
S-LTAS 6548	1 - KA 6548 Stainless Steel Grate 1 - LC 6540 Channel 1 - LF 65 8" Outlet Section 2 - GJS 65 Joiner Strips 1 - TNAS Threaded Nipple	48"	47 7/8"
S-LTAS 6560	1 - KA 6560 Stainless Steel Grate 1 - LC 6552 Channel 1 - LF 65 8" Outlet Section 2 - GJS 65 Joiner Strips 1 - TNAS Threaded Nipple	60"	59 7/8"

Finishes

- Satin Stainless (SS)
- Polished Stainless (PS)
- Oil Rubbed Bronze (ORB)
- Satin Bronze (SB)
- Matte Black (BK)
- Satin Champagne (SC)
- Polished Gold (PG)
- Polished Brass (PB)
- Gunmetal (GM)
- Matte White (MW)

Infinity Drain
 145 Dixon Avenue
 Amityville, NY 11701
 Phone: 516.767.6786
 Fax: 516.740.3066
 www.Infinitydrain.com
 FM603-02-25

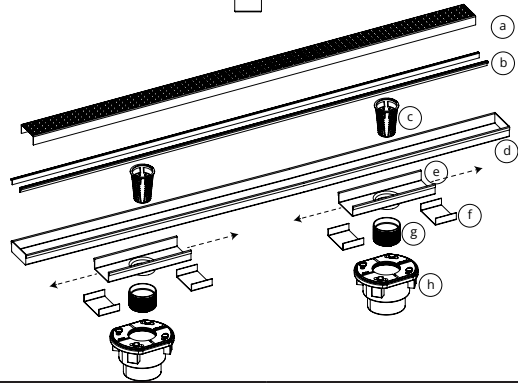
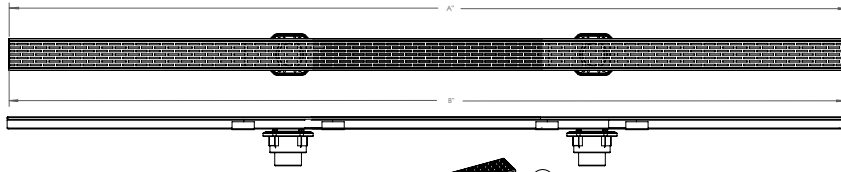


NOTE: Installer must verify all rough-in dimensions prior to installation and consult local and national codes. Conformity and compliance to local and national codes are the responsibility of the installer.

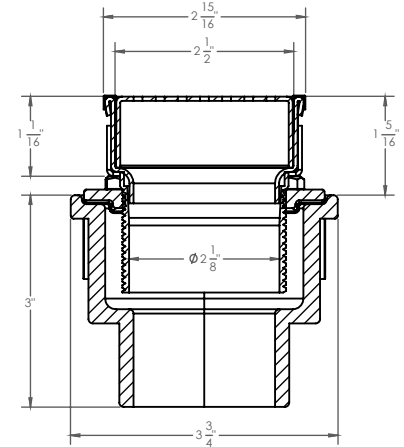
ID Infinity Drain

S-LTAS 6572

S-LTAS 6596



- (a) KA 65 - Stainless Steel Grate
- (b) CT - Channel Trim
- (c) HB 65 - Hair Basket
- (d) LC 65 - Stainless Steel Channel (ships as one piece)
- (e) LF 65 - Stainless Steel Outlet Section
- (f) GJS 65 - Stainless Steel Joiner Strip
- (g) TNAS - Threaded Nipple
- (h) 2 inch clamp down drain assembly **Not included in kit SKU.** (Material can be Cast Iron, ABS, or PVC)



SECTION A-A

Model Number	Complete Kit Contents	A Maximum Overall Length	B Maximum Grate Length
S-LTAS 6572	1 - KA 6572 Stainless Steel Grates 1 - LC 6572 Channel 2 - LF 65 8" Outlet Sections 4 - GJS 65 Joiner Strips 2 - TNAS Threaded Nipples	72"	71 7/8"
S-LTAS 6596	1 - KA 6596 Stainless Steel Grates 1 - LC 6588 Channel 2 - LF 65 8" Outlet Sections 4 - GJS 65 Joiner Strip 2 - TNAS Threaded Nipples	96"	95 7/8"

Optional Components

TNAS-2	2" Long Stainless Steel Rescue Nipple
TNAS-3	3" Long Stainless Steel Rescue Nipple
TNAS-4	4" Long Stainless Steel Rescue Nipple
TNRN-P	PVC Threaded Extension Nipple
UCP 2	Universal 2" Clamping Plate
UCP 42	Universal Reducing Plate (Adapts 4" or 3" existing throat size to 2")

Add Clamp Down Drain

CDA 22	Clamp Down Drain ABS
CDI 22	Clamp Down Drain Cast Iron
CDP 22	Clamp Down Drain PVC

Available components for longer lengths

KA 6536	40" Stainless Steel Grate	SE 65	2" Stainless Steel End Section
KA 6548	48" Stainless Steel Grate	GJS 65	Stainless Steel Joiner Strip
KA 6560	60" Stainless Steel Grate	SLA 65	Stainless Steel 90° Angle Joiner
KA 6572	72" Stainless Steel Grate	HB 65	2" Hair Basket
KA 6596	96" Stainless Steel Grate	LF 65	8" Stainless Steel Outlet Section
SC 6548	48" Stainless Open Ended Channel	TNAS	Stainless Steel Threaded Nipple
SC 6596	96" Stainless Open Ended Channel	CT 36	36" Channel Trim
LC 6528	28" Stainless Closed Channel	CT 48	48" Channel Trim
LC 6540	40" Stainless Closed Channel	CT 60	60" Channel Trim
LC 6552	52" Stainless Closed Channel	CT 72	72" Channel Trim
LC 6564	64" Stainless Closed Channel	CT 96	96" Channel Trim
LC 6588	88" Stainless Closed Channel		

Infinity Drain
 145 Dixon Avenue
 Amityville, NY 11701
 Phone: 516.767.6786
 Fax: 516.740.3066
 www.Infinitydrain.com



NOTE: Installer must verify all rough-in dimensions prior to installation and consult local and national codes. Conformity and compliance to local and national codes are the responsibility of the installer.