

## S-LSD 65 Site Sizable Series

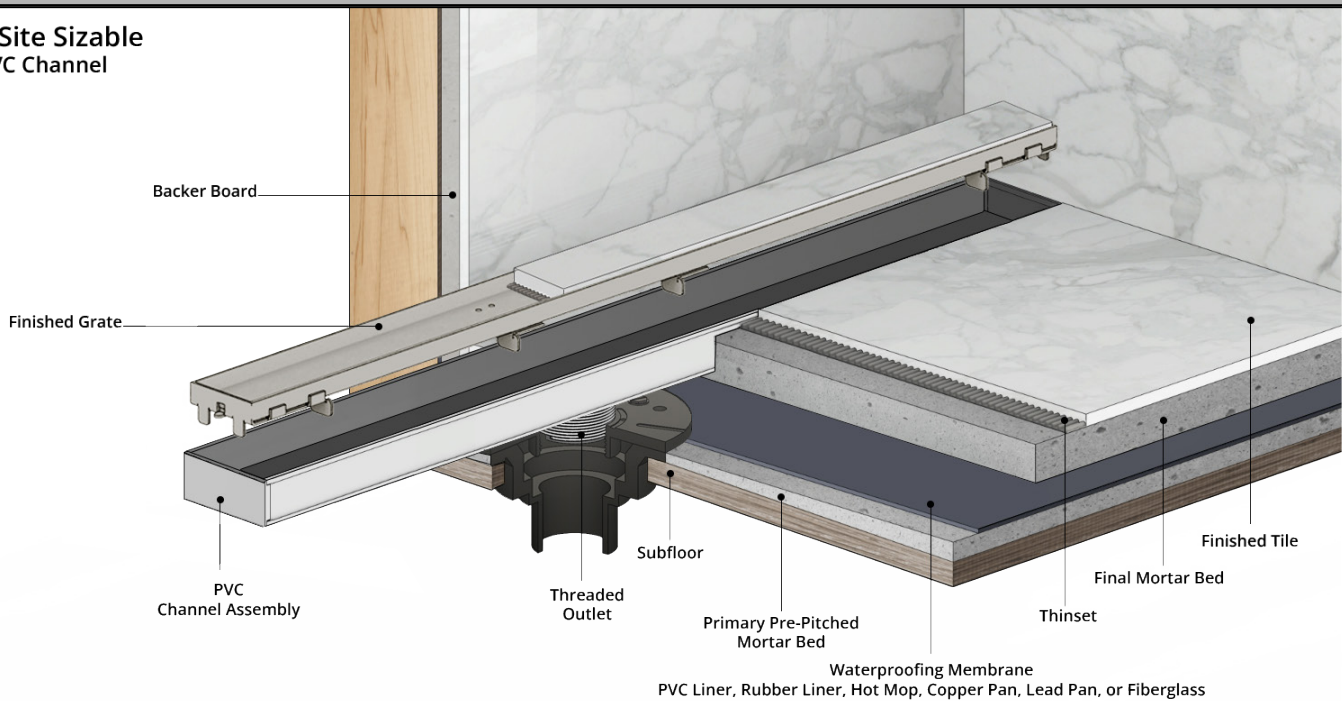
- S-LSD 6536 - 40" Complete Kit
- S-LSD 6548 - 48" Complete Kit
- S-LSD 6560 - 60" Complete Kit
- S-LSD 6572 - 80" Complete Kit
- S-LSD 6596 - 96" Complete Kit

### Features

- 16 gauge, 304L stainless steel grate
- Modify length and outlet location on site
- Indoor or outdoor use
- PVC Channel
- Works with 2" clamp down floor with 2" throat/strainer size *(not included)*
- **NOT INTENDED** for installation across a barrier-free threshold
- Compatible with: PVC Liner, Rubber Liner (Chloraloy®), Hot Mop, Lead Pan, Copper Pan, or Fiberglass
- Flow rate - 9 gpm per outlet
  - Flow rate measured at outlet only. Measurement does not account for water in channel or sheeting on shower floor.
  - Additional outlets can be added and combined into a larger waste

### Installation

#### S Site Sizable PVC Channel



### Care & Maintenance

S-LSD 65 stainless steel linear drain top grates are made of 304L stainless steel. This material is non-porous, hygienic, rust-free and extremely durable. Bar Keepers Friend® and Soft Scrub® are commonly available products that can be used to protect and clean your Satin Stainless drain cover. For stains that have been left for an excessive amount of time, stronger cleaning agents such as Steel Brite Cleaner may be needed. For all finishes we recommend using mild soap and a soft cloth for cleaning. DO NOT use any abrasive cleaners, scrub pads or allow household cleaning agents, such as bleach, to sit on the drain cover for a long period of time. Stainless steel does not rust. External factors, such as contamination from other highly ferrous metals, built up road salt, sea salt, or chlorine may have caused "surface" rust which can be removed using Barkeepers Friend®, Soft Scrub®, or Steel Brite Cleaner. Always follow the directions on the bottle. Follow proper maintenance procedures to prevent excessive surface rust. In areas of frequent exposure to salt, chlorine, and other chemical compounds, maintenance of the stainless grates should be performed at least 2-3 times per year.

**Infinity Drain**  
145 Dixon Avenue  
Amityville, NY 11701  
Phone: 516.767.6786  
Fax: 516.740.3066  
www.infinitydrain.com



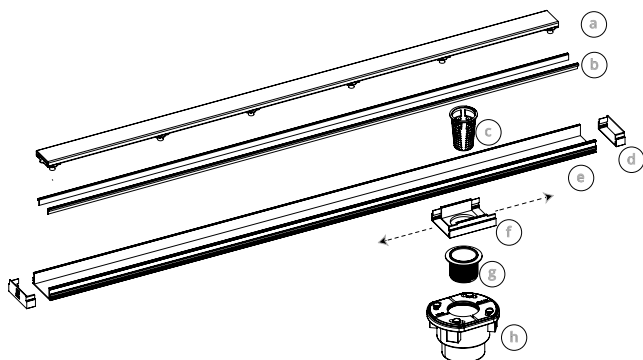
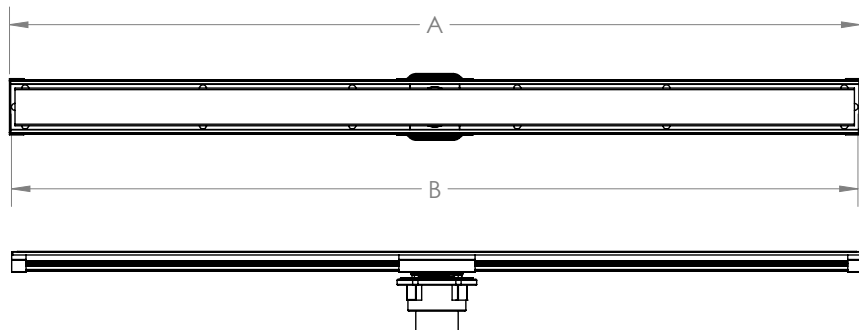
NOTE: Installer must verify all rough-in dimensions prior to installation and consult local and national codes. Conformity and compliance to local and national codes are the responsibility of the installer.

# ID Infinity Drain

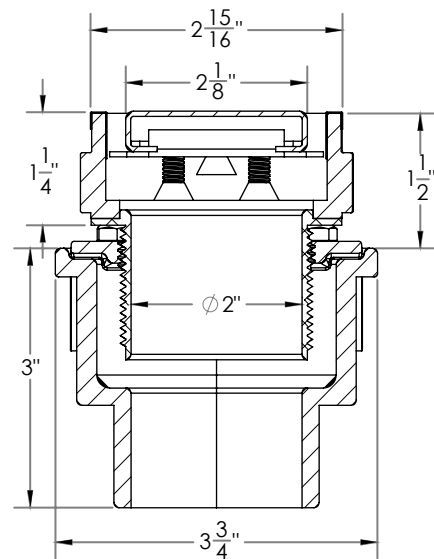
S-LSD 6536

S-LSD 6548

S-LSD 6560



- (a) SG 65 - Stainless Steel Grate
- (b) CT - Channel Trim
- (c) HB 65 - Hair Basket
- (d) EL 65 - PVC Stop End
- (e) GL 65 - PVC Channel (ships as one piece)
- (f) SL 65 - PVC Outlet Section
- (g) S 50 - PVC Threaded Outlet
- (h) 2 inch clamp down drain assembly  
Not included in kit SKU.  
(Material can be Cast Iron, ABS, or PVC)



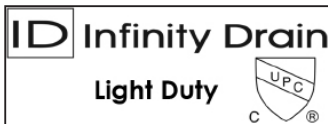
## SECTION A-A

Model Number	Complete Kit Contents	A (Maximum Overall Length)	B (Maximum Grate Length)
<input type="checkbox"/> S-LSD 6536	1 - SG 6536 Stainless Steel Grate 1 - GL 6536 PVC Channel 1 - CS 6536 Channel Spacer 2 - EL 65 PVC Stop End 1 - SL 65 PVC Outlet Section 1 - S 50 PVC Threaded Outlet 1 - HMK-65-A: 1 - HB 65 Hair Basket 1 - AKEY Lift Out Key 2 - CT 36 Channel Trims	36"	35 7/8"
<input type="checkbox"/> S-LSD 6548	1 - SG 6548 Stainless Steel Grate 1 - GL 6548 PVC Channel 1 - CS 6548 Channel Spacer 2 - EL 65 PVC Stop End 1 - SL 65 PVC Outlet Section 1 - S 50 PVC Threaded Outlet 1 - HMK-65-A: 1 - HB 65 Hair Basket 1 - AKEY Lift Out Key 2 - CT 48 Channel Trims	48"	47 7/8"
<input type="checkbox"/> S-LSD 6560	1 - SG 6560 Stainless Steel Grate 1 - GL 6560 PVC Channel 1 - CS 6560 Channel Spacer 2 - EL 65 PVC Stop End 1 - SL 65 PVC Outlet Section 1 - S 50 PVC Threaded Outlet 1 - HMK-65-A: 1 - HB 65 Hair Basket 1 - AKEY Lift Out Key 2 - CT 60 Channel Trims	60"	59 7/8"

### Finishes

- Satin Stainless (SS)
- Polished Stainless (PS)
- Oil Rubbed Bronze (ORB)
- Satin Bronze (SB)
- Matte Black (BK)
- Satin Champagne (SC)
- Polished Gold (PG)
- Polished Brass (PB)
- Gunmetal (GM)
- Matte White (MW)

**Infinity Drain**  
 145 Dixon Avenue  
 Amityville, NY 11701  
 Phone: 516.767.6786  
 Fax: 516.740.3066  
 www.Infinitydrain.com

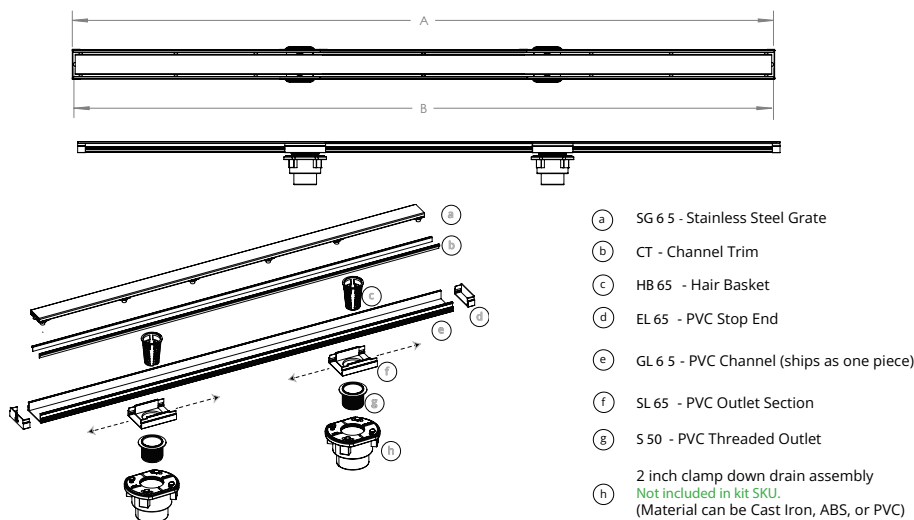


NOTE: Installer must verify all rough-in dimensions prior to installation and consult local and national codes. Conformity and compliance to local and national codes are the responsibility of the installer.

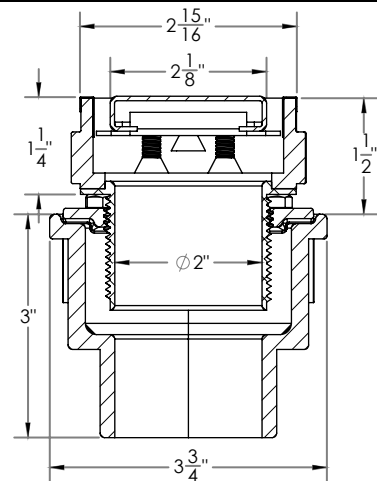
# ID Infinity Drain

S-LSD 6572

S-LSD 6596



- (a) SG 6 5 - Stainless Steel Grate
- (b) CT - Channel Trim
- (c) HB 65 - Hair Basket
- (d) EL 65 - PVC Stop End
- (e) GL 6 5 - PVC Channel (ships as one piece)
- (f) SL 65 - PVC Outlet Section
- (g) S 50 - PVC Threaded Outlet
- (h) 2 inch clamp down drain assembly  
Not included in kit SKU.  
(Material can be Cast Iron, ABS, or PVC)



**SECTION A-A**

Model Number	Complete Kit Contents	A (Maximum Overall Length)	B (Maximum Grate Length)
S-LSD 6572	1 - SG 6572 Stainless Steel Grate 1 - GL 6572 PVC Channel 1 - CS 6572 Channel Spacer 2 - EL 65 PVC Stop Ends 2 - SL 65 PVC Outlet Sections 2 - S 50 PVC Threaded Outlets 1 - HMK-65-2A: 2 - HB 65 Hair Baskets 1 - AKEY Lift Out Key 2 - CT 72 Channel Trims	72"	71 7/8"
S-LSD 6596	1 - SG 6596 Stainless Steel Grate 1 - GL 6596 PVC Channel 1 - CS 6596 Channel Spacer 2 - EL 65 PVC Stop Ends 2 - SL 65 PVC Outlet Sections 2 - S 50 PVC Threaded Outlets 1 - HMK-65-2A: 2 - HB 65 Hair Baskets 1 - AKEY Lift Out Key 2 - CT 96 Channel Trims	96"	95 7/8"

Optional Components		Available components for longer lengths			
F 65	PVC Non-Threaded Outlet	SG 6536	36" Stainless Steel Grate	EL 65	PVC Stop End
GJL 65	PVC Straight Joiner Strip	SG 6548	48" Stainless Steel Grate	S 50	PVC Threaded Nipple
GAL 65	PVC 90° Angle Joiner	SG 6560	60" Stainless Steel Grate	CT 36	36" Channel Trim
TNRN-P	PVC Threaded Extension Nipple	SG 6572	72" Stainless Steel Grate	CT 48	48" Channel Trim
UCP 2	Universal 2" Clamping Plate	SG 6596	96" Stainless Steel Grate	CT 60	60" Channel Trim
UCP 4	Universal 4" Clamping Plate	GL 6536	36" PVC Channel	CT 96	96" Channel Trim
UCP 42	Universal Reducing Plate (Adapts 4" or 3" existing throat size to 2")	GL 6548	48" PVC Channel	NOTE: For indoor applications and outdoor applications where exposure to users without footwear is possible Channel trim (CT) is not recommended on drains over 96" or drains with configurations that include turns. The installation of channel trim on site sizeable linear drains that fall within the outlined conditions listed are at the judgement of the installer, independent of Infinity Drain, LTD.	
<b>Add Clamp Down Drain</b>		GL 6560	60" PVC Channel		
CDA 22	Clamp Down Drain ABS	GL 6596	96" PVC Channel		
CDI 22	Clamp Down Drain Cast Iron	GL 65108	108" PVC Channel		
CDP 22	Clamp Down Drain PVC				

**Infinity Drain**  
 145 Dixon Avenue  
 Amityville, NY 11701  
 Phone: 516.767.6786  
 Fax: 516.740.3066  
 www.Infinitydrain.com



NOTE: Installer must verify all rough-in dimensions prior to installation and consult local and national codes. Conformity and compliance to local and national codes are the responsibility of the installer.