

ID Infinity Drain



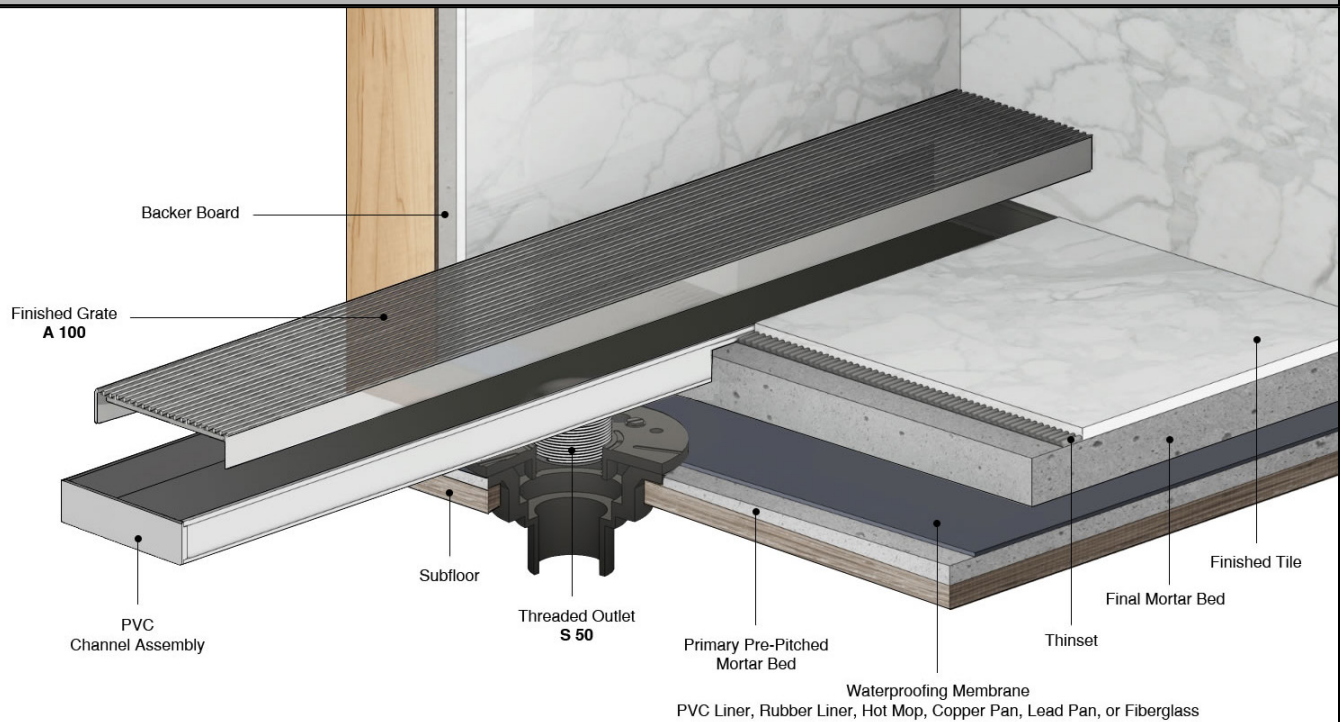
S-AG 100 Series SITE SIZABLE PVC

- **S-AG 10036 - 36" Complete Kit**
- **S-AG 10048 - 48" Complete Kit**
- **S-AG 10060 - 60" Complete Kit**
- **S-AG 10072 - 72" Complete Kit**

Features

- 316L stainless steel wedge wire grate
- Modify length and outlet location on site
- Indoor or outdoor use
- PVC Channel
- Works with 2" clamp down floor with 2" throat/strainer size *(not included)*
- Compatible with: PVC Liner, Rubber Liner (Chloraloy®), Hot Mop, Lead Pan, Copper Pan, or Fiberglass
- Flow rate - 9 gpm per outlet
 - Flow rate measured at outlet only. Measurement does not account for water in channel or sheeting on shower floor.
 - Additional outlets can be added and combined into a larger waste line to increase flowrates

Installation



Care & Maintenance

S-AG 100 stainless steel linear drain top grates are made of 316L stainless steel. This material is non-porous, hygienic, rust-free and extremely durable. Bar Keepers Friend® and Soft Scrub® are commonly available products that can be used to protect and clean your Satin Stainless drain cover. For stains that have been left for an excessive amount of time, stronger cleaning agents such as Compound 302® may be needed. For all finishes we recommend using mild soap and a soft cloth for cleaning. DO NOT use any abrasive cleaners, scrub pads or allow household cleaning agents, such as bleach, to sit on the drain cover for a long period of time. Stainless steel does not rust. External factors, such as contamination from other highly ferrous metals, built up road salt, sea salt, or chlorine may have caused "surface" rust which can be removed using Barkeepers Friend®, Soft Scrub®, or Steel Brite Cleaner. Always follow the directions on the bottle. Follow proper maintenance procedures to prevent excessive surface rust. In areas of frequent exposure to salt, chlorine, and other chemical compounds, maintenance of the stainless grates should be performed at least 2-3 times per year.

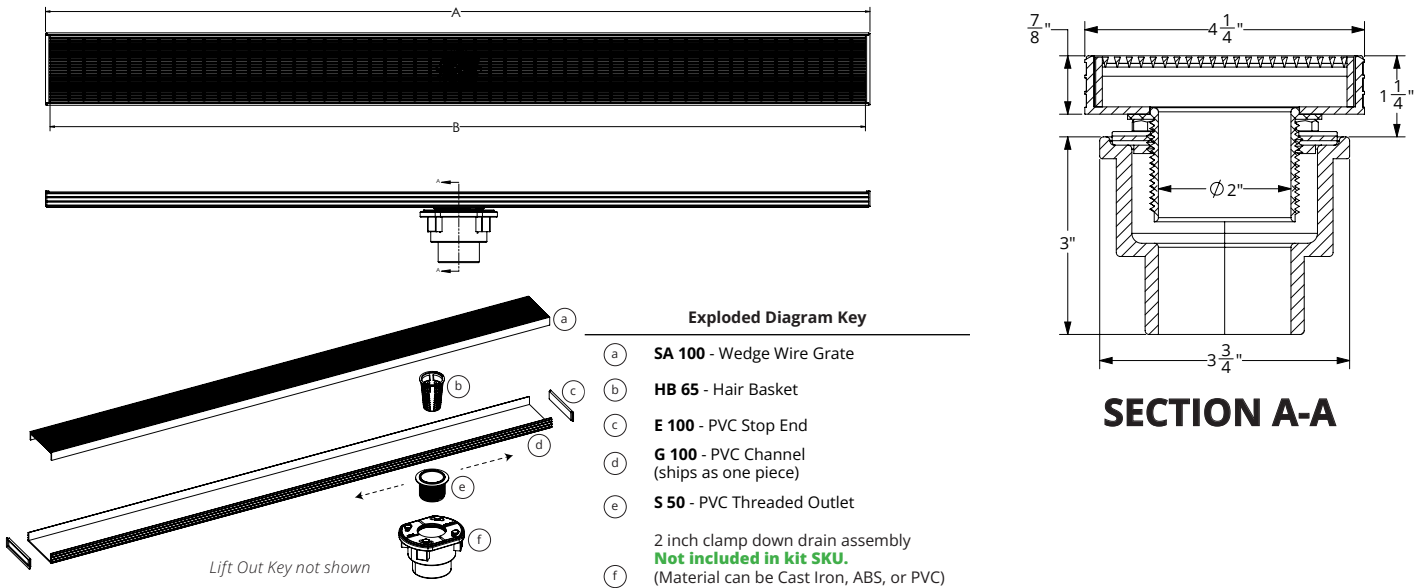
Infinity Drain
145 Dixon Avenue
Amityville, NY 11701
Phone: 516.767.6786
Fax: 516.740.3066
www.infinitydrain.com



NOTE: Installer must verify all rough-in dimensions prior to installation and consult local and national codes. Conformity and compliance to local and national codes are the responsibility of the installer.

ID Infinity Drain

S-AG 10048



Model Number	Complete Kit Contents	A (Maximum Overall Length)	B (Maximum Grate Length)
<input type="checkbox"/> S-AG 10036	1 - SA 10036 Wedge Wire Grate 1 - G 10036 PVC Channel 2 - E 100 PVC Stop End 1 - S 50 PVC Threaded Outlet 1 - HMK-65-A Hair Maintenance Kit: 1 - HB 65 Hair Basket 1 - AKEY Lift Out Key	36"	35 7/8"
<input type="checkbox"/> S-AG 10048	1 - SA 10048 Wedge Wire Grate 1 - G 10048 PVC Channel 2 - E 100 PVC Stop End 1 - S 50 PVC Threaded Outlet 1 - HMK-65-A Hair Maintenance Kit: 1 - HB 65 Hair Basket 1 - AKEY Lift Out Key	48"	47 7/8"
<input type="checkbox"/> S-AG 10060	1 - SA 10060 Wedge Wire Grate 1 - G 10060 PVC Channel 2 - E 100 PVC Stop End 1 - S 50 PVC Threaded Outlet 1 - HMK-65-A Hair Maintenance Kit: 1 - HB 65 Hair Basket 1 - AKEY Lift Out Key	60"	59 7/8"

Finishes

<input type="checkbox"/> Satin Stainless (SS)	<input type="checkbox"/> Polished Stainless (PS)	<input type="checkbox"/> Oil Rubbed Bronze (ORB)	<input type="checkbox"/> Satin Bronze (SB)	<input type="checkbox"/> Matte Black (BK)
<input type="checkbox"/> Satin Champagne (SC)	<input type="checkbox"/> Polished Gold (PG)	<input type="checkbox"/> Polished Brass (PB)	<input type="checkbox"/> Gunmetal (GM)	<input type="checkbox"/> Matte White (MW)

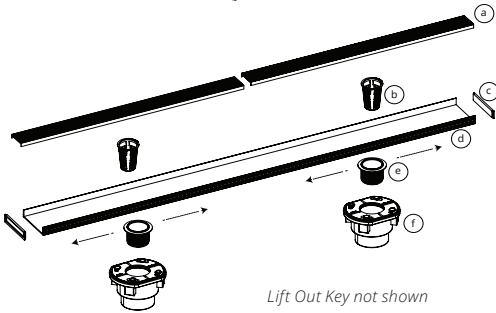
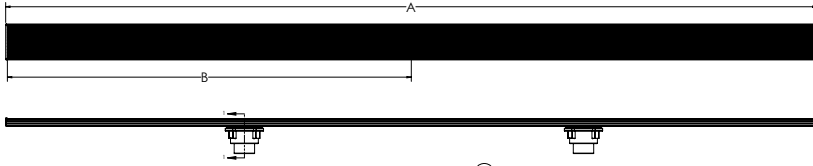
Infinity Drain
 145 Dixon Avenue
 Amityville, NY 11701
 Phone: 516.767.6786
 Fax: 516.740.3066
 www.infinitydrain.com



NOTE: Installer must verify all rough-in dimensions prior to installation and consult local and national codes. Conformity and compliance to local and national codes are the responsibility of the installer.

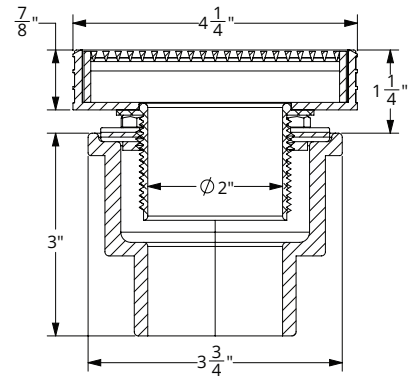
ID Infinity Drain

S-AG 10096



Exploded Diagram Key

- a) SA 100 - Wedge Wire Grate
 - b) HB 65 - Hair Basket
 - c) E 100 - PVC Stop End
 - d) G 100 - PVC Channel (ships as one piece)
 - e) S 50 - PVC Threaded Outlet
 - f) Lift Out Key not shown
- 2 inch clamp down drain assembly
Not included in kit SKU.
 (Material can be Cast Iron, ABS, or PVC)



SECTION A-A

Model Number	Complete Kit Contents	A (Maximum Overall Length)	B (Maximum Grate Length)
S-AG 10072	2 - SA 10036 Wedge Wire Grate 1 - G 10072 PVC Channel 2 - E 100 PVC Stop End 2 - S 50 PVC Threaded Outlet 1 - HMK-65-2A Hair Maintenance Kit: 2 - HB 65 Hair Basket 1 - AKEY Lift Out Key	72"	35 7/8"
S-AG 10096	2 - SA 10048 Wedge Wire Grate 1 - G 10096 PVC Channel 2 - E 100 PVC Stop End 2 - S 50 PVC Threaded Outlet 1 - HMK-65-2A Hair Maintenance Kit: 2 - HB 65 Hair Basket 1 - AKEY Lift Out Key	96"	47 7/8"

Optional Components

F 65	PVC Non-Threaded Outlet
GJ 100	PVC Straight Joiner Strip
GA 100	PVC 90° Angle Joiner
TNRN-P	PVC Threaded Extension Nipple
UCP 2	Universal 2" Clamping Plate
UCP 42	Universal Reducing Plate (Adapts 4" or 3" existing throat size to 2")

Add Clamp Down Drain

CDA 22	Clamp Down Drain ABS
CDI 22	Clamp Down Drain Cast Iron
CDP 22	Clamp Down Drain PVC

Available components for longer lengths

SA 10036	36" Stainless Steel Grate
SA 10048	48" Stainless Steel Grate
SA 10060	60" Stainless Steel Grate
G 10048	48" PVC Channel
G 10096	96" PVC Channel
G 100108	108" PVC Channel
E 100	PVC Stop End
S 50	PVC Threaded Nipple
F 100	PVC Non-Threaded Outlet (3")

Infinity Drain
 145 Dixon Avenue
 Amityville, NY 11701
 Phone: 516.767.6786
 Fax: 516.740.3066
 www.infinitydrain.com



NOTE: Installer must verify all rough-in dimensions prior to installation and consult local and national codes. Conformity and compliance to local and national codes are the responsibility of the installer.