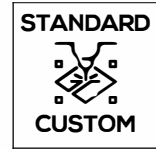


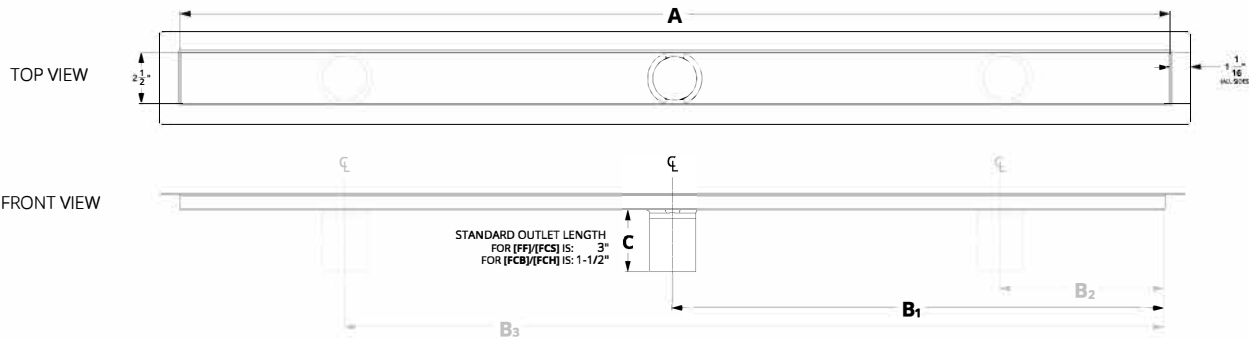
FFC (Fixed Flange) Standard Custom Form



FF (Flanged) linear drains are designed for use with liquid applied (cold fluid applied) or fabric sheet membranes. The overall inside length of channel (**A**) is the finished length of the drain, with a 1-1/16" flange on all four sides to accept the waterproofing membrane. All outlet locations (**B**) are measured from the right inside channel edge. For this type of installation a mortar bed or equal is created up to and around the drain with the appropriate slope towards the drain. The waterproofing is applied over the mortar bed and the flange of the channel. Tile or stone is applied directly to the waterproofing for a low profile installation. The standard FC channel is provided with a 2" No-Hub Outlet.

Specialty channel options are available.

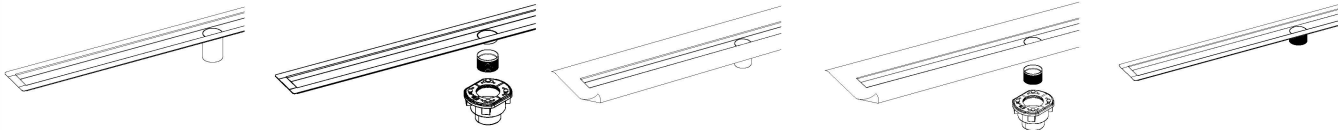
- **FCB** for Double Waterproofing - Comes with a 2" threaded outlet for use with a clamping drain body and a traditional membrane as a primary waterproofing and has the standard 1-1/16" for a liquid/fabric secondary waterproofing.
- **FCS** for Schluter®-KERDI Waterproofing - Comes with KERDI membrane factory applied to the channel for use with the Schluter®-KERDI system only. Uses a 2" No-Hub Outlet.
- **FCBS** for Double Waterproofing - Comes with a 2" threaded outlet for use with a clamping drain body and a traditional membrane as a primary waterproofing with KERDI membrane factory applied to the channel for use with the Schluter®-KERDI system as secondary waterproofing.
- **FCH** for Liquid or Fabric Waterproofing only - Comes with a 2" tapered male threaded outlet (MPT) for direct threaded connection to a 2" female (FPT) fitting.



A: Overall Inside Length	B1: Outlet Location 1	B2: Outlet Location 2	B3: Outlet Location 3	C: Outlet Length
<input type="checkbox"/>	<input type="checkbox"/>	<input type="checkbox"/>	<input type="checkbox"/>	<input type="checkbox"/>
FOR ADDITIONAL OUTLETS IF NEEDED				IF NOT STANDARD

Channel Option: Choose (1)

- FF Standard** 2" No Hub Outlet
 FCB Double Waterproofing 2" Threaded Outlet
 FCS Flange with KERDI Factory applied KERDI with 2" No Hub Outlet
 FCBS Double Waterproofing with KERDI Factory applied KERDI with 2" Threaded Outlet
 FCH Tapered Threaded 2" MPT Outlet



Note: Lengths exceeding the grate's maximum single length will be split into equal sections.

Grate Styles - Choose (1) Below		OR	Channel Only <input type="checkbox"/>
FFAS 25 1" WIDE <input type="checkbox"/> WEDGE WIRE SA 25 GRATE Maximum Single Grate Length: 72"	FFAS 38 1 1/2" WIDE <input type="checkbox"/> WEDGE WIRE SA 38 GRATE Maximum Single Grate Length: 72"		FFDG 65 CIRCLE PATTERN PA 65 GRATE Maximum Single Grate Length: 96"
FFAS 65 2 1/2" WIDE <input type="checkbox"/> WEDGE WIRE SA 65 GRATE Maximum Single Grate Length: 72"	FF65 OFFSET OVAL PATTERN EA 65 GRATE Maximum Single Grate Length: 96"		FFGR 65 ADHESION PATTERN GA 65 GRATE Maximum Single Grate Length: 96"
FFAS 100 3 15/16" WIDE <input type="checkbox"/> WEDGE WIRE SA 100 GRATE Maximum Single Grate Length: 72"	FFMN 65 MARC NEWSON PATTERN MA 65 GRATE Maximum Single Grate Length: 96"		FFIG 65 SLOTTED PATTERN UA 65 GRATE Maximum Single Grate Length: 96"
FFAS 125 5" WIDE <input type="checkbox"/> WEDGE WIRE SA 125 GRATE Maximum Single Grate Length: 72"	FFSG 65 SOLID GRATE SG 65 GRATE Maximum Single Grate Length: 60"		FFTIF 65 TILE INSERT RA 65 GRATE Maximum Single Grate Length: 60"

Grate Finish - Choose (1)
<input type="checkbox"/> Satin Stainless (SS)
<input type="checkbox"/> Polished Stainless (PS)
<input type="checkbox"/> Oil Rubbed Bronze (ORB)
<input type="checkbox"/> Satin Bronze (SB)
<input type="checkbox"/> Matte Black (BK)
<input type="checkbox"/> Gunmetal
<input type="checkbox"/> Matte White
<input type="checkbox"/> Satin Champagne
<input type="checkbox"/> Polished Brass
<input type="checkbox"/> Polished Gold
<input type="checkbox"/> Custom Finish (Specify Color to Match)
<input type="checkbox"/>
Custom finishes can be made to match a sample provided by the customer. Contact Infinity Drain for availability of desired finish.

Terms and Conditions: By signing this form, you are agreeing to the terms and conditions herein. All details and finishes stated are correct. All dimensions are correct and are to be held within a tolerance of +/- 1/16". All other details and dimensions that are specified as "standard" are subject to manufacturer's tolerance and change without notice. We can assume no responsibility for use of superseded or void data. All custom orders are non-cancellable, non-returnable and non-refundable.

Infinity Drain
145 Dixon Avenue
Amityville, NY 11701
Phone: 516.767.6786
Fax: 516.740.3066
www.infinitydrain.com



APPROVAL

NAME <input type="checkbox"/>	JOB NAME/REFERENCE <input type="checkbox"/>
SIGNATURE <input type="checkbox"/>	DATE <input type="checkbox"/>