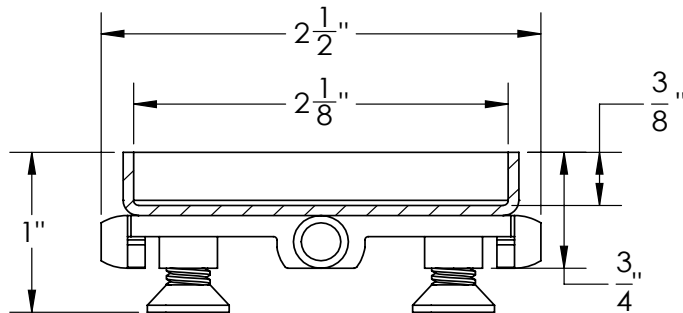


LA 65 Specifications

ID Infinity Drain



LA 65:

- Tile Insert Frame for FXLTIF 65, FFTIF 65, FCSTIF 65, FCBTIF 65, FTF 65
- 16 gauge, 304L stainless steel
- Accepts flooring material up to 3/8" in thickness

Models (Overall dimension):

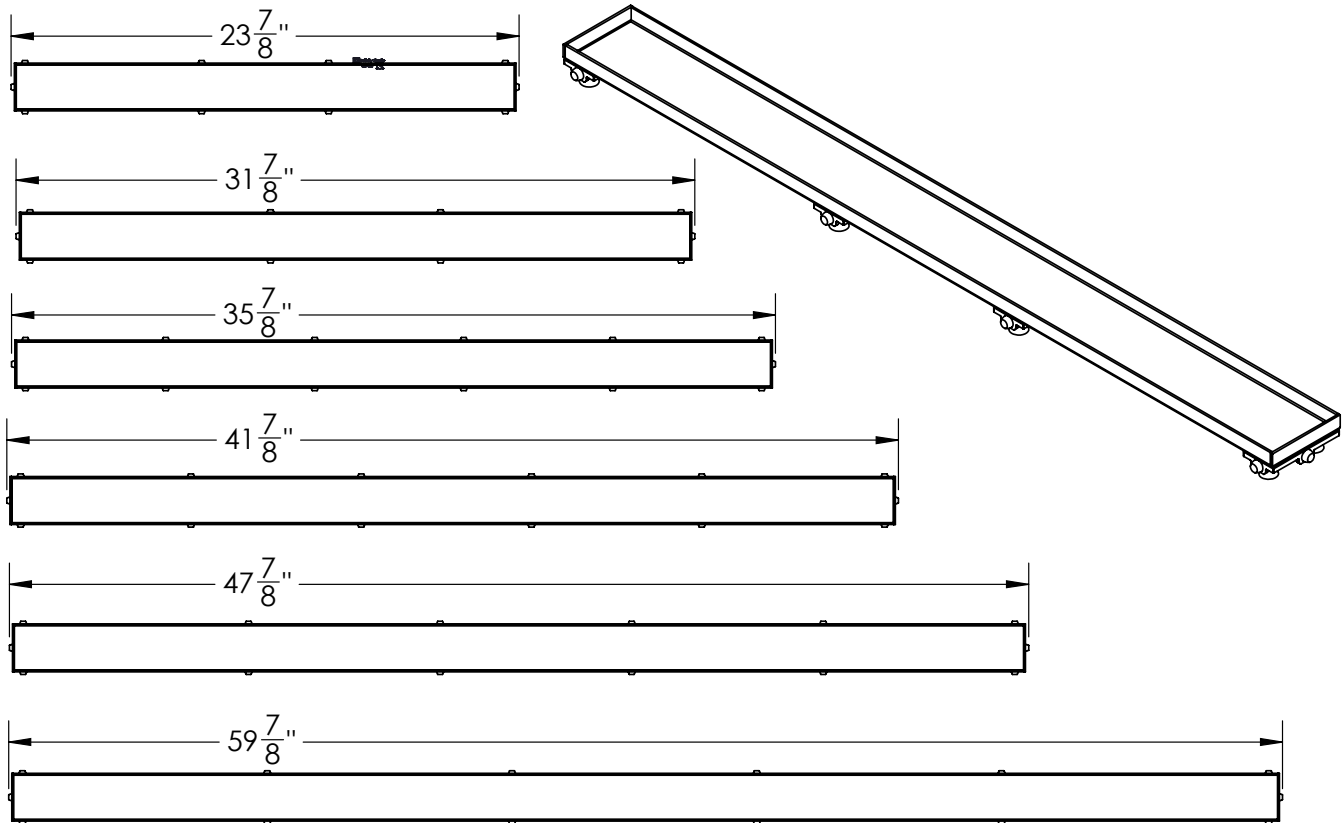
- LA 6524: 23-7/8" L x 2-1/2"W x 3/4" H
- LA 6532: 31-7/8" L x 2-1/2"W x 3/4" H
- LA 6536: 35-7/8" L x 2-1/2"W x 3/4" H
- LA 6542: 41-7/8" L x 2-1/2"W x 3/4" H
- LA 6548: 47-7/8" L x 2-1/2"W x 3/4" H
- LA 6560: 59-7/8" L x 2-1/2"W x 3/4" H

Finishes:

- Satin Stainless - SS
- Polished Stainless - PS
- Satin Bronze - SB
- Oil Rubbed Bronze - ORB
- Matte Black - BK

Specialty Finishes:

- Gunmetal
- Matte White
- Satin Champagne
- Polished Brass
- Polished Gold



Infinity Drain
145 Dixon Avenue
Amityville, NY 11701
Phone: 516.767.6786
Fax: 516.740.3066
www.infinitydrain.com



NOTE: Installer must verify all rough-in dimensions prior to installation and consult local and national codes. Conformity and compliance to local and national codes are the responsibility of the installer.