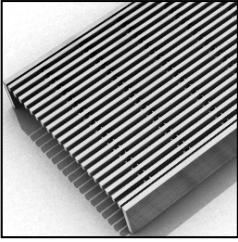


ID Infinity Drain



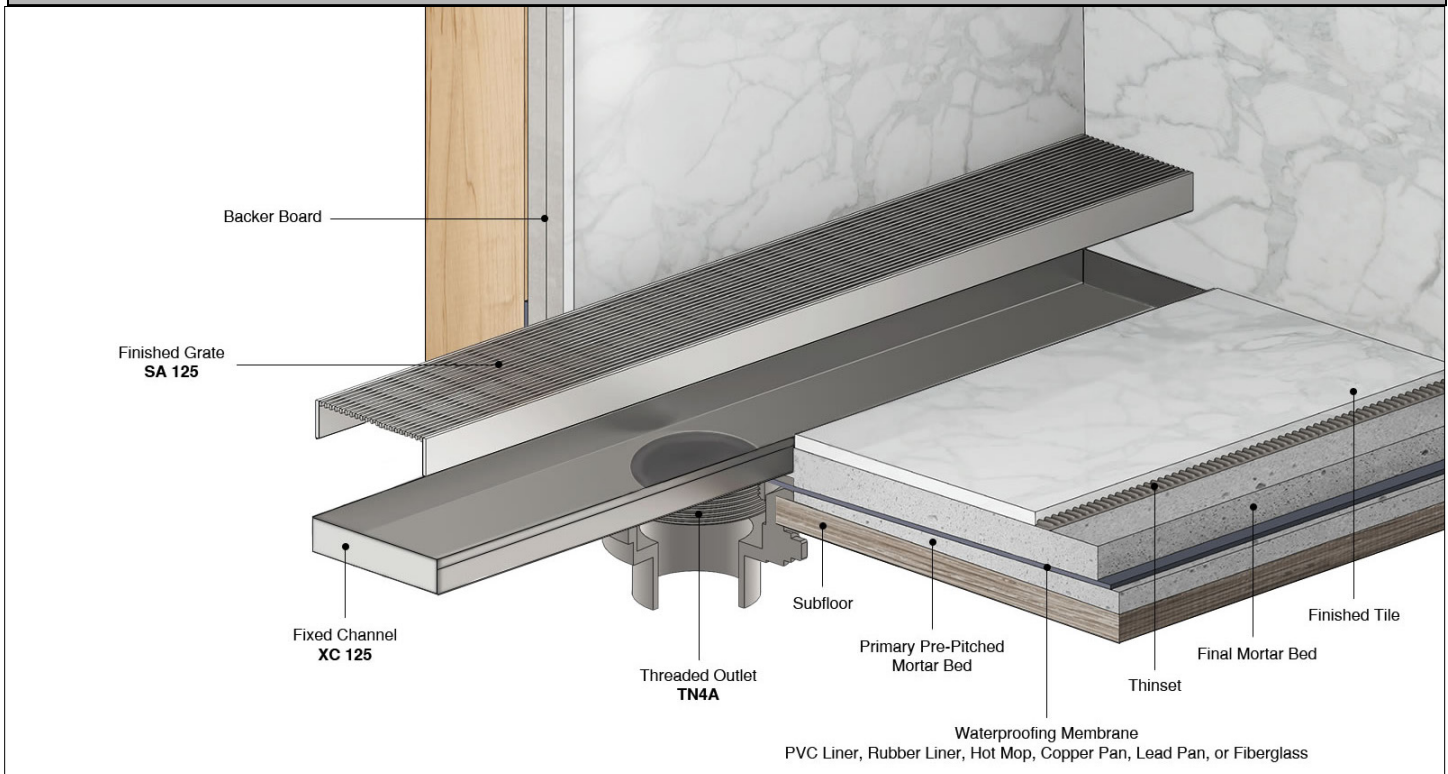
FXAS 125 Fixed Length Series

- **FXAS 12532 - 32" Complete Kit**
- **FXAS 12536 - 36" Complete Kit**
- **FXAS 12542 - 42" Complete Kit**
- **FXAS 12548 - 48" Complete Kit**
- **FXAS 12560 - 60" Complete Kit**

Features

- Pre-pitched channel with fixed lengths and fixed center outlet
- Indoor or outdoor use
- 16 gauge, 304L stainless steel channel
- 12 gauge, 316L stainless steel Wedge Wire grate
- Works with 3" clamp down floor drain with 4" throat/strainer size
(Included in complete kit - Available in ABS, PV)
- Compatible with: PVC Liner, Rubber Liner (Chloraloy®), Hot Mop, Lead Pan, Copper Pan, or Fiberglass
- Grate can be removed completely for cleaning
- Flow rate - 21 gpm per outlet
 - Flow rate measured at outlet only. Measurement does not account for water in channel or sheeting on shower floor.

Installation



Care & Maintenance

FXAS 125 stainless steel linear drain top grates are made of 316L stainless steel. This material is non-porous, hygienic, rust-free and extremely durable. Bar Keepers Friend® and Soft Scrub® are commonly available products that can be used to protect and clean your Satin Stainless drain cover. For stains that have been left for an excessive amount of time, stronger cleaning agents such as Steel Brite® may be needed. For all finishes we recommend using mild soap and a soft cloth for cleaning. DO NOT use any abrasive cleaners, scrub pads or allow household cleaning agents, such as bleach, to sit on the drain cover for a long period of time. Stainless steel does not rust. External factors, such as contamination from other highly ferrous metals, built up road salt, sea salt, or chlorine may have caused "surface" rust which can be removed using Barkeepers Friend®, Soft Scrub®, or Steel Brite Cleaner. Always follow the directions on the bottle. Follow proper maintenance procedures to prevent excessive surface rust. In areas of frequent exposure to salt, chlorine, and other chemical compounds, maintenance of the stainless grates should be performed at least 2-3 times per year.

Infinity Drain
145 Dixon Avenue
Amityville, NY 11701
Phone: 516.767.6786
Fax: 516.740.3066
www.Infinity Drain.com



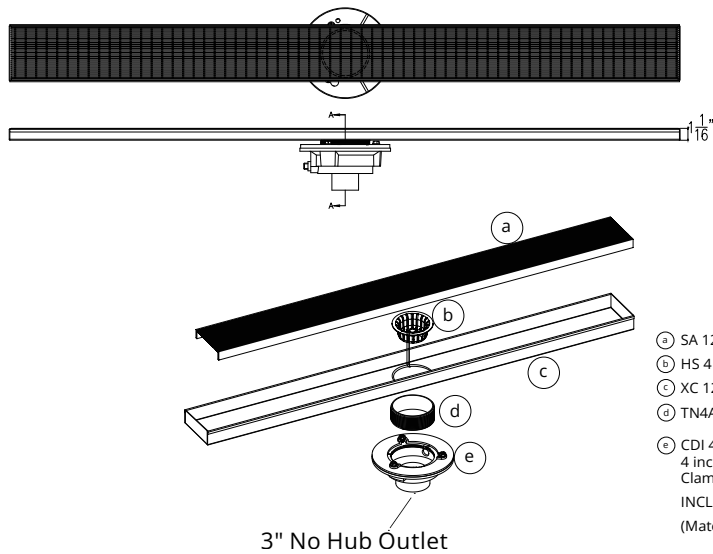
ID Infinity Drain

CANADA - CSA B 125.2
USA - ASME A 112.18.2

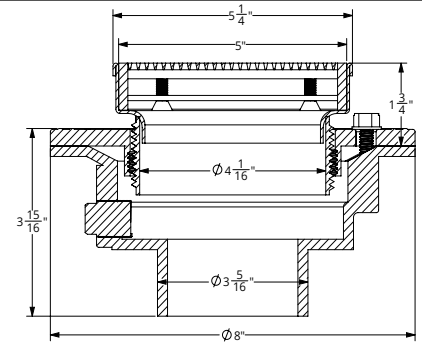


NOTE: Installer must verify all rough-in dimensions prior to installation and consult local and national codes. Conformity and compliance to local and national codes are the responsibility of the installer.

ID Infinity Drain



- Ⓐ SA 125 - Stainless Steel Grate
- Ⓑ HS 4 - Hair Strainer
- Ⓒ XC 125 - Stainless Steel Channel
- Ⓓ TN4A - Threaded Nipple
- Ⓔ CDI 43W / CDP 43W / CDA 43W
4 inch throat, 3 inch No Hub Outlet
Clamp Down Drain Assembly
INCLUDED IN KIT SKU
(Material can be Cast Iron, ABS, or PVC)*



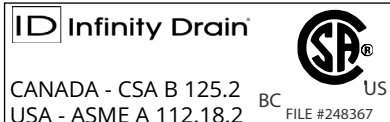
SECTION A-A

Model Number	Complete Kit Contents	A (Maximum Overall Length)	B (Maximum Grate Length)	C (Minimum Height Above Water-proofing) * All heights can be adjusted upwards an additional 1-1/4"
<input type="checkbox"/> FXAS 12532	1 - SA 12532 Stainless Steel Grate 1 - XC 12532 Fixed Channel 1 - TN4A Threaded Nipple 1 - HMK-A4: 1 - AKEY Lift-Out Key 1 - CDI 43W /CDA 43W /CDP 43W Drain Body Assembly	32 1/8"	31 7/8"	With CDI 43W: 1-7/16" With CDA 43W: 1-7/16" With CDP 43W: 1-7/16"
<input type="checkbox"/> FXAS 12536	1 - SA 12536 Stainless Steel Grate 1 - XC 12536 Fixed Channel 1 - TN4A Threaded Nipple 1 - HMK-A4: 1 - AKEY Lift-Out Key 1 - CDI 43W /CDA 43W /CDP 43W Drain Body Assembly	36 1/8"	35 7/8"	With CDI 43W: 1-7/16" With CDA 43W: 1-7/16" With CDP 43W: 1-7/16"
<input type="checkbox"/> FXAS 12542	1 - SA 12542 Stainless Steel Grate 1 - XC 12542 Fixed Channel 1 - TN4A Threaded Nipple 1 - HMK-A4: 1 - AKEY Lift-Out Key 1 - CDI 43W /CDA 43W /CDP 43W Drain Body Assembly	42 1/8"	41 7/8"	With CDI 43W: 1-7/16" With CDA 43W: 1-7/16" With CDP 43W: 1-7/16"
<input type="checkbox"/> FXAS 12548	1 - SA 12548 Stainless Steel Grate 1 - XC 12548 Fixed Channel 1 - TN4A Threaded Nipple 1 - HMK-A4: 1 - AKEY Lift-Out Key 1 - CDI 43W /CDA 43W /CDP 43W Drain Body Assembly	48 1/8"	47 7/8"	With CDI 43W: 1-7/16" With CDA 43W: 1-7/16" With CDP 43W: 1-7/16"
<input type="checkbox"/> FXAS 12560	1 - SA 12560 Stainless Steel Grate 1 - XC 12560 Fixed Channel 1 - TN4A Threaded Nipple 1 - HMK-A4 t: 1 - AKEY Lift-Out Key 1 - CDI 43W /CDA 43W /CDP 43W Drain Body Assembly	60 1/8"	59 7/8"	With CDI 43W: 1-7/16" With CDA 43W: 1-7/16" With CDP 43W: 1-7/16"

Finishes

- Satin Stainless (SS) Polished Stainless (PS) Oil Rubbed Bronze (ORB) Satin Bronze (SB) Matte Black (BK)

Infinity Drain
145 Dixon Avenue
Amityville, NY 11701
Phone: 516.767.6786
Fax: 516.740.3066
www.Infinity Drain.com



NOTE: Installer must verify all rough-in dimensions prior to installation and consult local and national codes. Conformity and compliance to local and national codes are the responsibility of the installer.

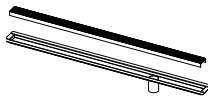
OPTIONAL COMPONENTS

CDI 43W, CDA 43W, CDP 43W	Clamp Down Drain, Cast Iron, ABS, PVC 4" Throat, 3" No Hub Outlet
CDI 42, CDA 42, CDP 42	Clamp Down Drain Body Assembly in Cast Iron, ABS, PVC 4" Throat, 2" No Hub Outlet
TNRN - 4	4" Long Stainless Steel Extension Nipple
UCP 4	Universal 4" Clamping Plate
CDIT 42	Clamp Down Drain, Cast Iron , 4" Throat, 2" Threaded Outlet
CDIT 43	Clamp Down Drain, Cast Iron , 4" Throat, 3" Threaded Outlet
CDIC 42	Clamp Down Drain, Cast Iron , 4" Throat, 2" Inside Caulk Outlet
CDIC 43	Clamp Down Drain, Cast Iron , 4" Throat, 3" Inside Caulk Outlet
CDIS 42	Clamp Down Drain, Cast Iron , Integral Trap 2" Throat, 2" Threaded Side Outlet
CDIQ 42	Clamp Down Drain, Cast Iron , Side Outlet No Trap 4" Throat, 2" Outlet

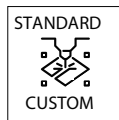
CUSTOM FIXED LENGTH SERIES DRAINS



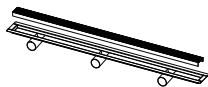
NEW Next Day Custom



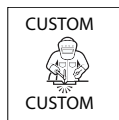
- Purchase orders and sign offs received by 10am ET will ship the following day
- Completed custom form must accompany purchase order
- Straight configuration and custom lengths up to 96"
- Grate Styles: Wedge Wire, Offset Slotted, Tile Insert Frame
- Installation types: Fixed (FX)
- Custom outlet placement for multiple outlets
- Finishes: Satin Stainless, Polished Stainless, Oil Rubbed Bronze, Satin Bronze and Matte Black



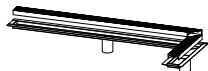
Standard Custom



- Purchase orders and sign offs received by 10am ET will ship within 15 business days
- Completed custom form must accompany purchase order
- Straight configuration and custom lengths up to 96"
- Any standard grate style options
- Installation types: Fixed (FX)
- Custom outlet placement for multiple outlets
- Finishes: Satin Stainless, Polished Stainless, Oil Rubbed Bronze, Satin Bronze and Matte Black



Custom-Custom

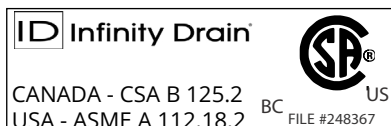


- Specialty installation options (Sink drain, Elevator drain, Threshold drain, Vinyl Clamp drain, etc.)
- Any shape and configuration
- Any installation type
- Any outlet type
- Any finish. Standard finishes and color match finish options available.

[CLICK HERE - TO LEARN MORE ABOUT CUSTOM FABRICATION](#)

For additional information regarding Custom Fabrication, Please contact Technical Support at info@infinitydrain.com

Infinity Drain
145 Dixon Avenue
Amityville, NY 11701
Phone: 516.767.6786
Fax: 516.740.3066
www.Infinity Drain.com



NOTE: Installer must verify all rough-in dimensions prior to installation and consult local and national codes. Conformity and compliance to local and national codes are the responsibility of the installer.