

# TA 65 Tile Insert



## Features:

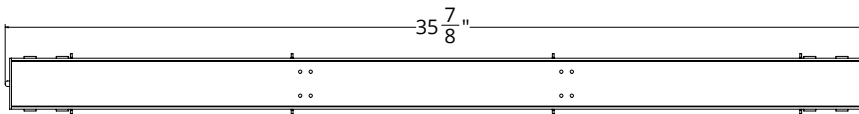
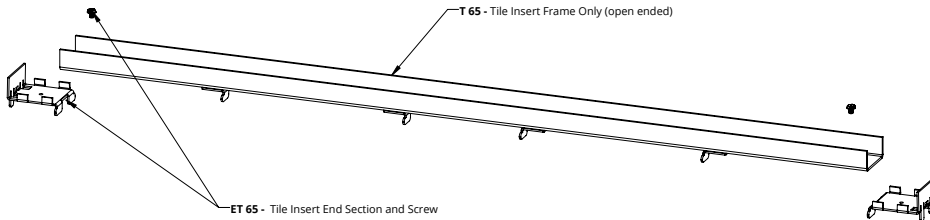
- Tile Insert Frame Assembly for S-TIF 65, S-TIFAS 65 and FXTIF 65
- Includes:
  - 1 - T 65 Open Ended Tile Frame
  - 2 - ET 65 End Caps and Screws

## Models:

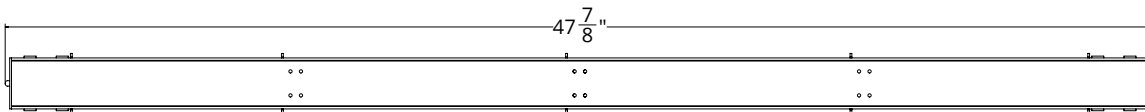
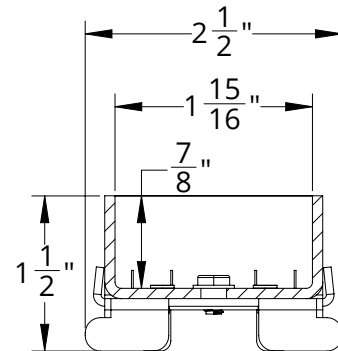
- TA 6540 - 39 7/8" L x 2 1/2" W x 1 1/2" H
- TA 6548 - 47 7/8" L x 2 1/2" W x 1 1/2" H
- TA 6560 - 59 7/8" L x 2 1/2" W x 1 1/2" H

## Finishes:

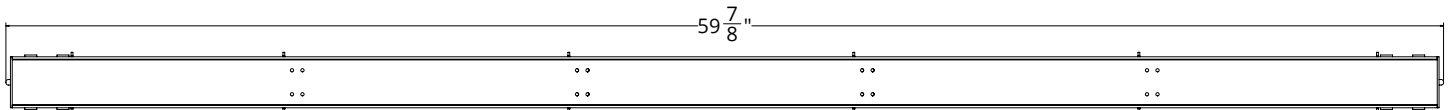
- Satin Stainless (SS)
- Polished Stainless (PS)
- Oil Rubbed Bronze (ORB)
- Satin Bronze (SB)
- Matte Black (BK)



TA 6536



TA 6548



TA 6560

**Infinity Drain**  
 145 Dixon Avenue  
 Amityville, NY 11701  
 Phone: 516.767.6786  
 Fax: 516.740.3066  
 www.infinitydrain.com



NOTE: Installer must verify all rough-in dimensions prior to installation and consult local and national codes. Conformity and compliance to local and national codes are the responsibility of the installer.