

RA 65 Tile Insert



Features:

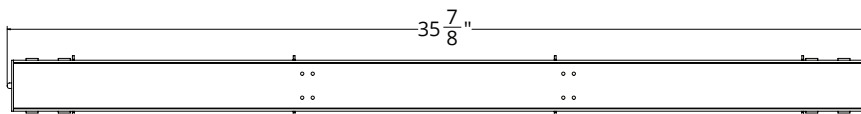
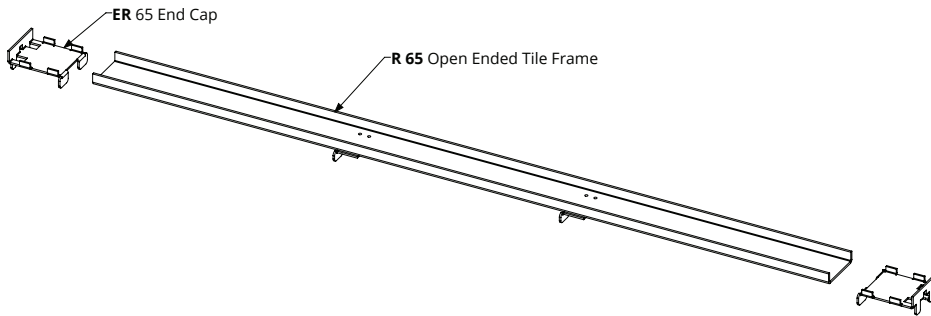
- Tile Insert Frame Assembly for S-LTIF 65
- Includes:
 - 1 - R 65 Open Ended Tile Frame
 - 2 - ER 65 End Caps
 - 1 - ZSIKA M1 Construction Adhesive

Models:

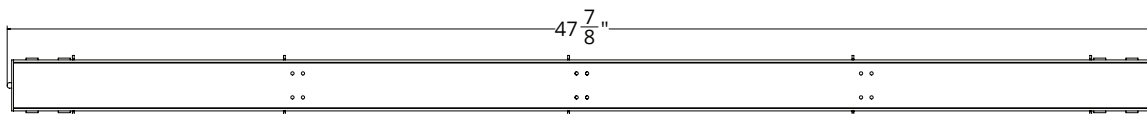
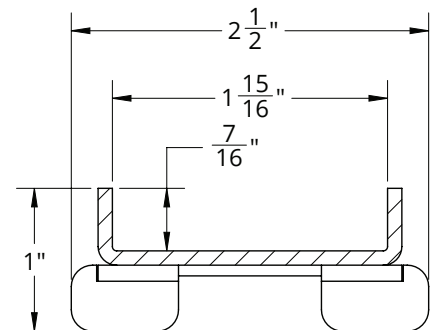
- RA 6536 - 35 7/8" L x 2 7/16" W x 1" H
- RA 6548 - 47 7/8" L x 2 7/16" W x 1" H
- RA 6560 - 59 7/8" L x 2 7/16" W x 1" H

Finishes:

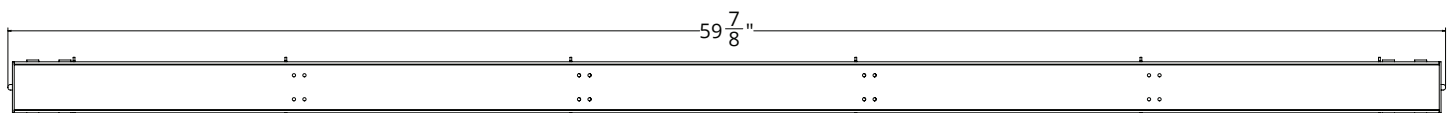
- Satin Stainless (SS)
- Polished Stainless (PS)
- Oil Rubbed Bronze (ORB)
- Satin Bronze (SB)
- Matte Black (BK)



RA 6536



RA 6548



RA 6560

Infinity Drain
 145 Dixon Avenue
 Amityville, NY 11701
 Phone: 516.767.6786
 Fax: 516.740.3066
 www.infinitydrain.com



NOTE: Installer must verify all rough-in dimensions prior to installation and consult local and national codes. Conformity and compliance to local and national codes are the responsibility of the installer.