

ID Infinity Drain



LND5 B - Slotted Pro-Series Center Drain

Complete Kits:

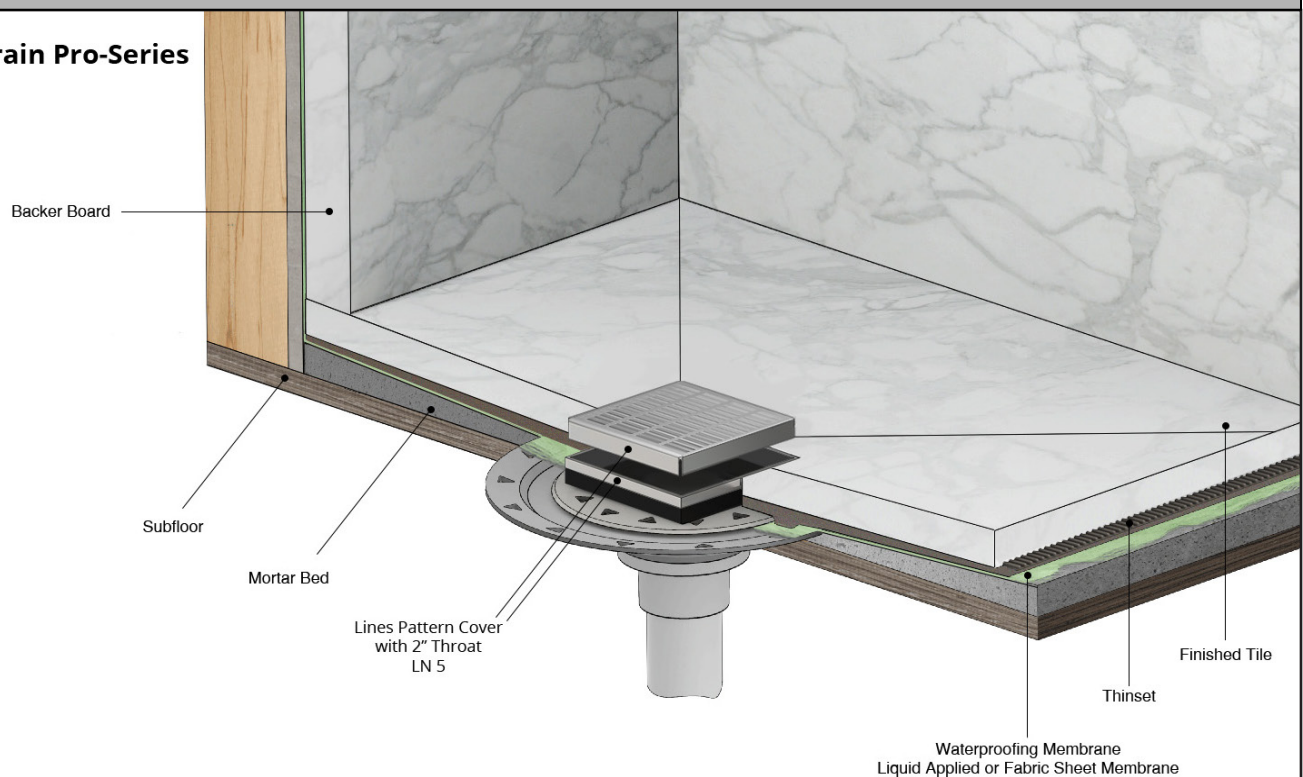
- LND5 BA
- LND5 BP
- LND 5 BS

Features

- 1" Deep Strainer
- 16 gauge 304L Stainless Steel Cover with ABS base
- Indoor and Outdoor use
- Grate can be removed completely for cleaning
- Requires traditional 4-way floor pitch
- Flow rate 8 GPM with 2" outlet

Installation

Center Drain Pro-Series LND 5B



Care & Maintenance

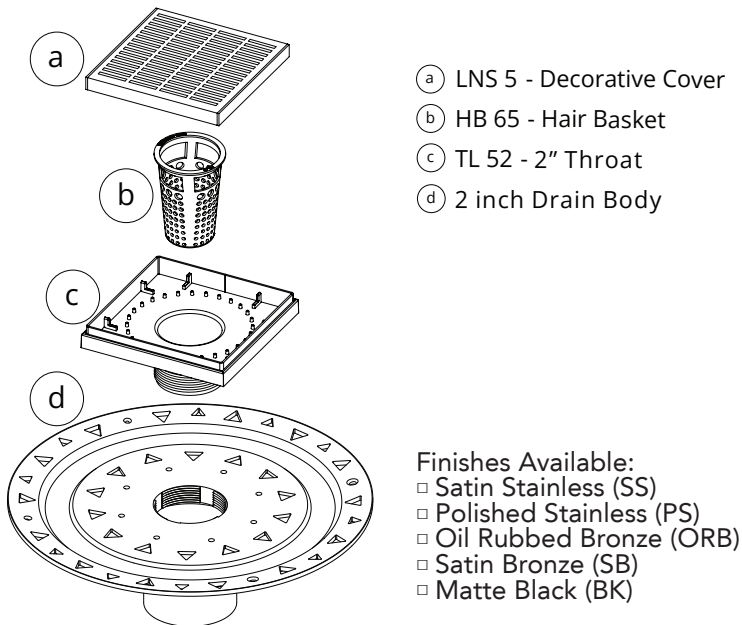
LND5 B stainless steel tile inserts are made of 304L stainless steel. This material is non-porous, hygienic, rust-free and extremely durable. Bar Keepers Friend® and Soft Scrub® are commonly available products that can be used to protect and clean your Satin Stainless drain cover. For stains that have been left for an excessive amount of time, stronger cleaning agents such as Steel Brite® may be needed. For all finishes we recommend using mild soap and a soft cloth for cleaning. DO NOT use any abrasive cleaners, scrub pads or allow household cleaning agents, such as bleach, to sit on the drain cover for a long period of time. Stainless steel does not rust. External factors, such as contamination from other highly ferrous metals, built up road salt, sea salt, or chlorine may have caused "surface" rust which can be removed using Barkeepers Friend®, Soft Scrub®, or Steel Brite Cleaner. Always follow the directions on the bottle. Follow proper maintenance procedures to prevent excessive surface rust. In areas of frequent exposure to salt, chlorine, and other chemical compounds, maintenance of the stainless grates should be performed at least 2-3 times per year.

Infinity Drain
145 Dixon Avenue
Amityville, NY 11701
Phone: 516.767.6786
Fax: 516.740.3066
www.Infinity Drain.com

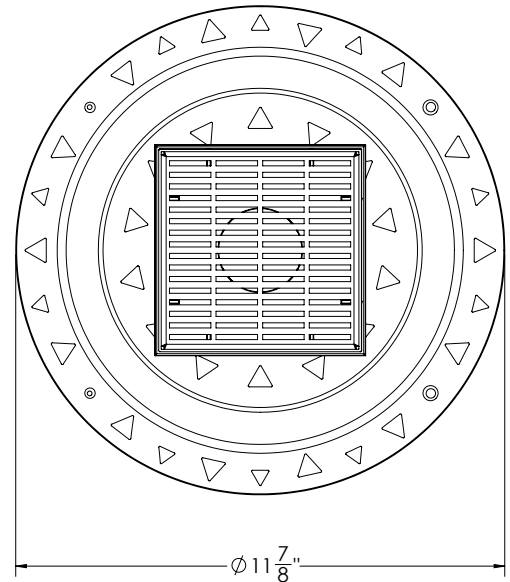


NOTE: Installer must verify all rough-in dimensions prior to installation and consult local and national codes. Conformity and compliance to local and national codes are the responsibility of the installer.

LND5 B Specifications



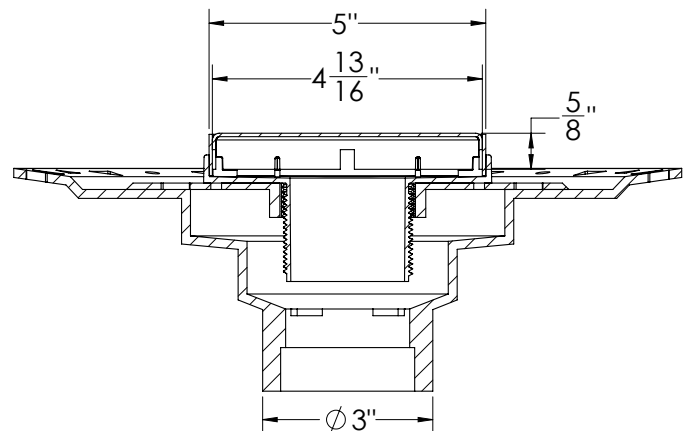
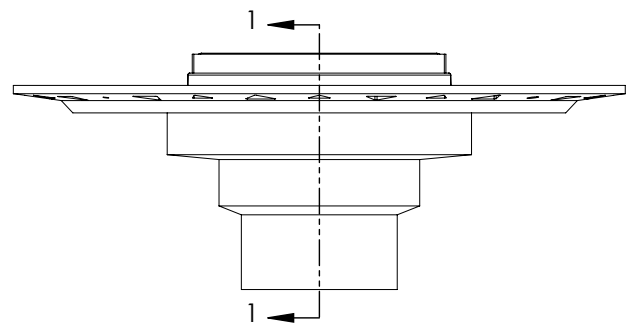
- Finishes Available:**
- Satin Stainless (SS)
 - Polished Stainless (PS)
 - Oil Rubbed Bronze (ORB)
 - Satin Bronze (SB)
 - Matte Black (BK)



LND5 BA
 5" x 5" LND 5 Kit with Bonded Flange 2", 3", and 4"
 Outlet. Kit Includes:
 (5" L x 5" W x 1" H) - Strainer
 1 - LNS 5 - 5" x 5" Stainless Steel Cover
 1 - TL 52 - ABS 2" Throat
 1 - HMK-C2-D Hair Maintenance Kit:
 1 - HB 65 Hair Basket
 1 - DKEY Lift Out Key
 1 - BFA 22 ABS Bonded Flange

LND5 BP
 5" x 5" LND 5 Kit with Bonded Flange 2", 3", and 4"
 Outlet. Kit Includes:
 (5" L x 5" W x 1" H) - Strainer
 1 - LNS 5 - 5" x 5" Stainless Steel Cover
 1 - TL 52 - ABS 2" Throat
 1 - HMK-C2-D Hair Maintenance Kit:
 1 - HB 65 Hair Basket
 1 - DKEY Lift Out Key
 1 - BFP PVC Bonded Flange

LND5 BS
 5" x 5" LND 5 Kit with Bonded Flange 2", 3", and 4"
 Outlet. Kit Includes:
 (5" L x 5" W x 1" H) - Strainer
 1 - LNS 5 - 5" x 5" Stainless Steel Cover
 1 - TL 52 - ABS 2" Throat
 1 - HMK-C2-D Hair Maintenance Kit:
 1 - HB 65 Hair Basket
 1 - DKEY Lift Out Key
 1 - BFS 22 Stainless Steel Bonded Flange



SECTION 1-1

Infinity Drain
 145 Dixon Avenue
 Amityville, NY 11701
 Phone: 516.767.6786
 Fax: 516.740.3066
 www.Infinity Drain.com



NOTE: Installer must verify all rough-in dimensions prior to installation and consult local and national codes. Conformity and compliance to local and national codes are the responsibility of the installer.