

Next Day Custom Program

- Purchase orders and sign offs received by 10am ET will ship the following day with no additional rush upcharge
- Available on linear drains up to 72" in length
- Custom outlet placement or multiple outlets along channel run
- Finishes: Satin Stainless Steel or Polished Stainless Steel
- Grate Styles: Wedge Wire, Offset Slotted, Tile Insert Frame
- Installation Types: FX Series, FF Series, FCB Series, FCS Series
- Limit 1 item (complete kit – channel and grate) per purchase order number
- Program is in addition to Infinity Drain's current 15-day custom lead-time or custom rush 5-day upcharge solutions

Installation Options

[FF] (Flanged) linear drains are designed for use with liquid applied (cold fluid applied) or fabric sheet membranes. The overall inside length of channel **(A)** is the finished length of the drain, with a 1-1/16" flange on all four sides to accept the waterproofing membrane. All outlet locations **(B)** are measured from the right inside channel edge. For this type of installation a mortar bed or equal is created up to and around the drain with the appropriate slope towards the drain. The waterproofing is applied over the mortar bed and the flange of the channel. Tile or stone is applied directly to the waterproofing for a low profile installation. The standard FC channel is provided with a 2" No-Hub Outlet.

Speciality channel options are available.

[FCS] for Schluter® - KERDI Waterproofing - Comes with KERDI membrane factory applied to the channel for use with the Schluter KERDI system only. Uses a 2" No-Hub Outlet.

[FX] (Fixed Length) linear drains are designed for use with traditional waterproofing methods including PVC Liners, Rubber Liners, Hot Mop, Lead Pan, Copper Pan and Fiberglass. The overall length of the channel **(A)** is the finished length of the drain, which is the outside dimension. All outlet locations **(B)** are measured from the right outside edge. For this installation a mechanically fastening drain body (clamp down drain) must be installed. A mortar bed or equal is spread across the shower area and sloped in all directions towards the clamp down drain body. A waterproofing membrane is installed with the drain body and over the mortar bed. The linear drain is threaded into the drain body and set to the correct height. A final layer of mortar is spread to encase the linear drain and is spread across the shower floor with a slope to the drain. Tile or stone is applied to the final mortar bed.




[FCB] for Double Waterproofing - Comes with a 2" threaded outlet for use with a clamping drain body and a traditional membrane as a primary waterproofing and has the standard 1-1/16" for a liquid/fabric secondary waterproofing. The overall inside length of channel **(A)** is the finished length of the drain. All outlet locations **(B)** are measured from the right inside channel edge. A mortar bed or equal is spread across the shower area and sloped in all directions towards the clamp down drain body. A waterproofing membrane is installed with the drain body and over the mortar bed. The linear drain is threaded into the drain body and set to the correct height. A final layer of mortar is spread to encase the linear drain and is spread across the shower floor with a slope to the drain. The secondary waterproofing is applied over the mortar bed and the flange of the channel. Tile or stone is applied directly to the waterproofing.

Terms & Conditions

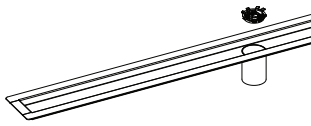
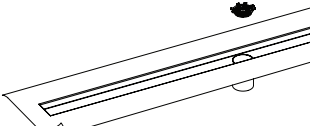
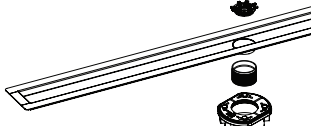
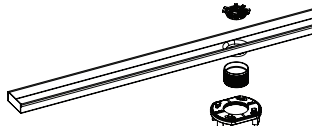
By signing this form, you are agreeing to the terms and conditions herein. All details and finished stated are correct. All dimensions are correct and are to be held within a tolerance of +/- 1/16". All other details and dimensions that are specified as "standard" are subject to manufacturer's tolerance and change without notice. We can assume no responsibility for use of superceded or void data. All custom orders are non-cancellable, non-returnable and non-refundable.

ORDERS AND SIGN OFF IN BY 10 AM ET, SHIP NEXT DAY

1. Choose Grate Style

<input type="checkbox"/> 2 MM WEDGE WIRE	<input type="checkbox"/> OFFSET SLOTTED	<input type="checkbox"/> TILE INSERT FRAME	<input type="checkbox"/> NO GRATE (CHANNEL ONLY)
			

2. Choose Channel

<input type="checkbox"/> [FF] Fixed Flange 2" No Hub Outlet	<input type="checkbox"/> [FCS] Flange with Kerdi Factory applied KERDI - 2" No Hub Outlet	<input type="checkbox"/> [FCB] Double Waterproofing 2" Threaded Outlet	<input type="checkbox"/> [FX] Fixed Length* 2" Threaded Outlet
			

3. Choose Finish

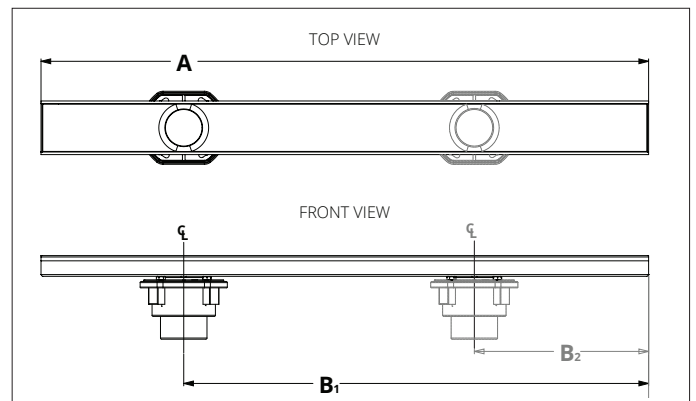
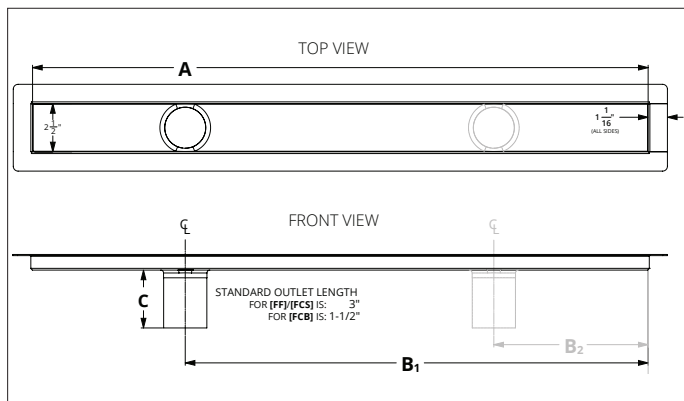
<input type="checkbox"/> SATIN STAINLESS	<input type="checkbox"/> POLISHED STAINLESS
---	--

4. Choose Length & Outlet Location(s)

A: Overall Inside Length (FF, FCB, FCS) A: Overall Length (FX)	B1: Outlet Location 1	B2: Outlet Location 2
<input type="checkbox"/>	<input type="checkbox"/>	<input type="checkbox"/>
		<i>FOR ADDITIONAL OUTLET IF NEEDED</i>

[FF] • [FCS] • [FCB]

[FX]



5. Choose Shipping Method

<input type="checkbox"/> Ground	<input type="checkbox"/> Standard Overnight	<input type="checkbox"/> Priority Overnight (AM Delivery)
---------------------------------	---	---

6. Sign & Reference

By signing this form, you are agreeing to the terms and conditions herein. All details and finished stated are correct. All dimensions are correct and are to be held within a tolerance of +/- 1/16". All other details and dimensions that are specified as "standard" are subject to manufacturer's tolerance and change without notice. We can assume no responsibility for use of superseded or void data. All custom orders are non-cancellable, non-returnable and non-refundable. When completed send to orders@infinitydrain.com. All prices in US dollars.

Infinity Drain
145 Dixon Avenue
Amityville, NY 11701
Phone: 516.767.6786
Fax: 516.740.3066
www.infinitydrain.com



APPROVAL	NAME <input type="checkbox"/>	PO #/REFERENCE <input type="checkbox"/>
	SIGNATURE <input type="checkbox"/>	DATE <input type="checkbox"/>