

## USQ Series Universal Infinity Drain™

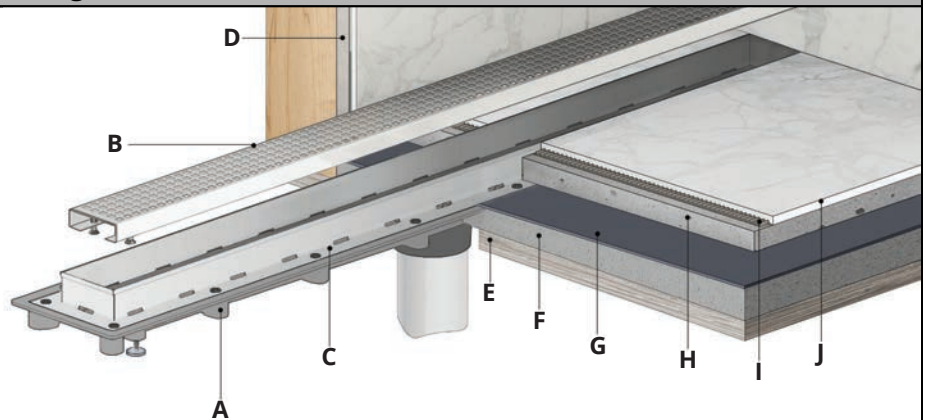
- USQ 24 - 24" Complete Kit
- USQ 30 - 30" Complete Kit
- USQ 32 - 32" Complete Kit
- USQ 36 - 36" Complete Kit
- USQ 42 - 42" Complete Kit
- USQ 48 - 48" Complete Kit
- USQ 54 - 54" Complete Kit
- USQ 60 - 60" Complete Kit

### Features

- Pre-pitched channel available in ABS or PVC
- 18 Gauge 304L clamping collar and removable decorative grate
- Compatible with Traditional **OR** Contemporary Waterproofing
  - Traditional Waterproofing: PVC Liner, Rubber Liner, or Fiberglass
  - Contemporary Waterproofing: liquid applied or fabric membrane
- Two clamping collar heights available (1/2" or 1")
- Clamping collar can be used facing up or down
- Flow rate - 9 gpm per outlet
  - Flow rate measured at outlet only. Measurement does not account for water in channel or sheeting on shower floor.

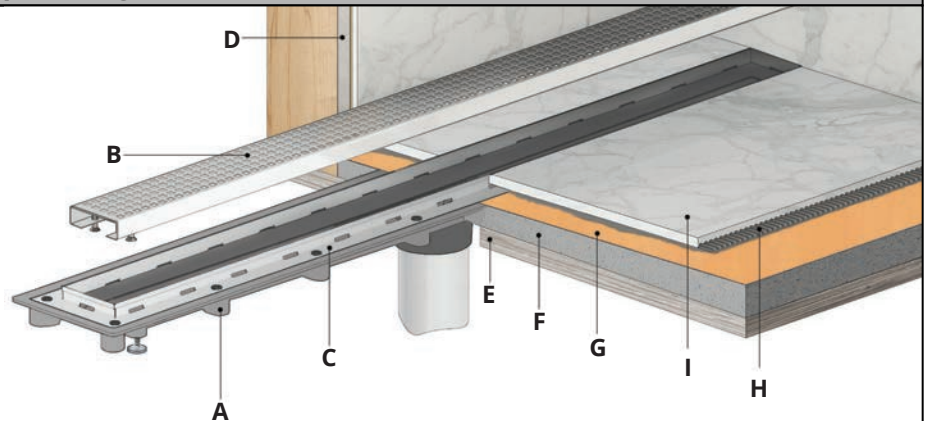
### Installation with Traditional Waterproofing

- A - UC 65 Universal Channel
- B - QA 65 Decorative Grate
- C - CC Clamping Collar (1/2" or 1" High)
- D - Backerboard
- E - Subfloor
- F - Primary Mortar Bed
- G - Waterproofing Membrane
- H - Secondary Mortar Bed
- I - Thinset
- J - Tile/Stone



### Installation with Contemporary Waterproofing

- A - UC 65 Universal Channel
- B - QA 65 Decorative Grate
- C - CC Clamping Collar (1/2" or 1" High)
- D - Backerboard
- E - Subfloor
- F - Primary Mortar Bed
- G - Liquid or Fabric Membrane
- H - Thinset
- I - Tile/Stone



### Care & Maintenance

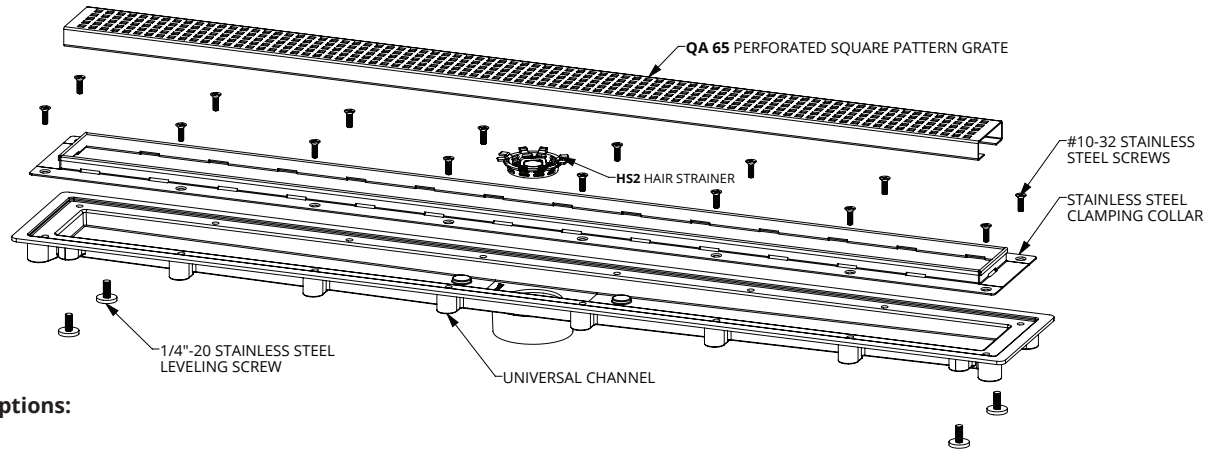
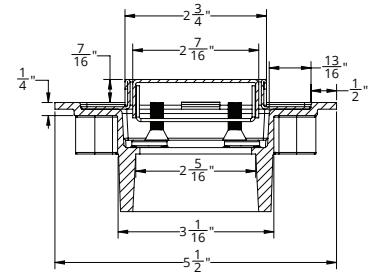
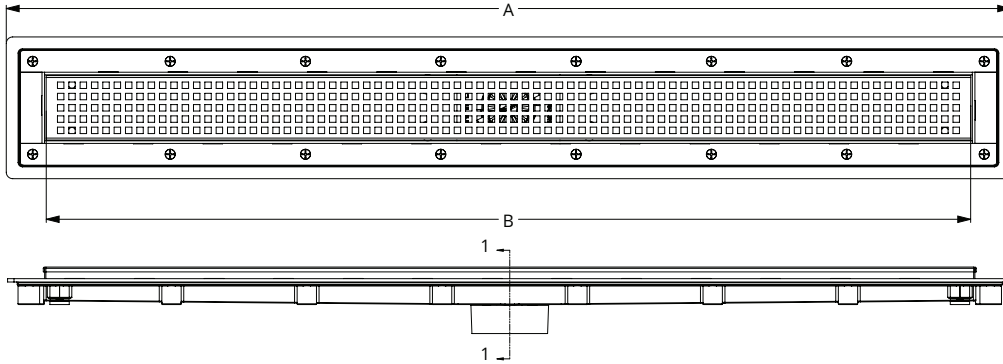
USQ Series stainless steel linear grates are made of 304L stainless steel. This material is non-porous, hygienic, rust-free and extremely durable. Bar Keepers Friend® and Soft Scrub® are commonly available products that can be used to protect and clean your Satin Stainless drain cover. For stains that have been left for an excessive amount of time, stronger cleaning agents such as Steel Brite® may be needed. For Polished Stainless and other finishes we recommend a mild soap and a soft cloth for cleaning. **DO NOT** use any abrasive cleaners, scrub pads or allow household cleaning agents, such as bleach, to sit on the drain cover for a long period of time. Stainless steel does not rust. External factors, such as contamination from other highly ferrous metals, built up road salt, sea salt, or chlorine may have caused "surface" rust which can be removed using Barkeepers Friend®, Soft Scrub®, or Steel Brite®. Always follow the directions on the bottle. Follow proper maintenance procedures to prevent excessive surface rust. In areas of frequent exposure to salt, chlorine, and other chemical compounds, maintenance of the stainless grates should be performed at least 2-3 times per year.

**Infinity Drain**  
145 Dixon Avenue  
Amityville, NY 11701  
Phone: 516.767.6786  
Fax: 516.740.3066  
www.infinitydrain.com



NOTE: Installer must verify all rough-in dimensions prior to installation and consult local and national codes. Conformity and compliance to local and national codes are the responsibility of the installer.

# ID Infinity Drain



### Channel Material Options:

- A = ABS
- P = PVC

Model Number	Complete Kit Contents	A (Maximum Overall Length)	B (Maximum Grate Length)
<input type="checkbox"/> USQ 24-A USQ 24-P	1 - QA 6524 Perforated Squares Pattern Grate 1 - UC 24 Channel 2 - CC 24 Clamping Collars 1 - HS 2 Hair Strainer 1 - AKEY Lift Out Key	27"	23 7/8"
<input type="checkbox"/> USQ 30-A USQ 30-P	1 - QA 6530 Perforated Squares Pattern Grate 1 - UC 30 Channel 2 - CC 30 Clamping Collars 1 - HS 2 Hair Strainer 1 - AKEY Lift Out Key	33"	29 7/8"
<input type="checkbox"/> USQ 32-A USQ 32-P	1 - QA 6532 Perforated Squares Pattern Grate 1 - UC 32 Channel 2 - CC 32 Clamping Collars 1 - HS 2 Hair Strainer 1 - AKEY Lift Out Key	35"	31 7/8"
<input type="checkbox"/> USQ 36-A USQ 36-P	1 - QA 6536 Perforated Squares Pattern Grate 1 - UC 36 Channel 2 - CC 36 Clamping Collars 1 - HS 2 Hair Strainer 1 - AKEY Lift Out Key	39"	35 7/8"

### Finishes

Satin Stainless

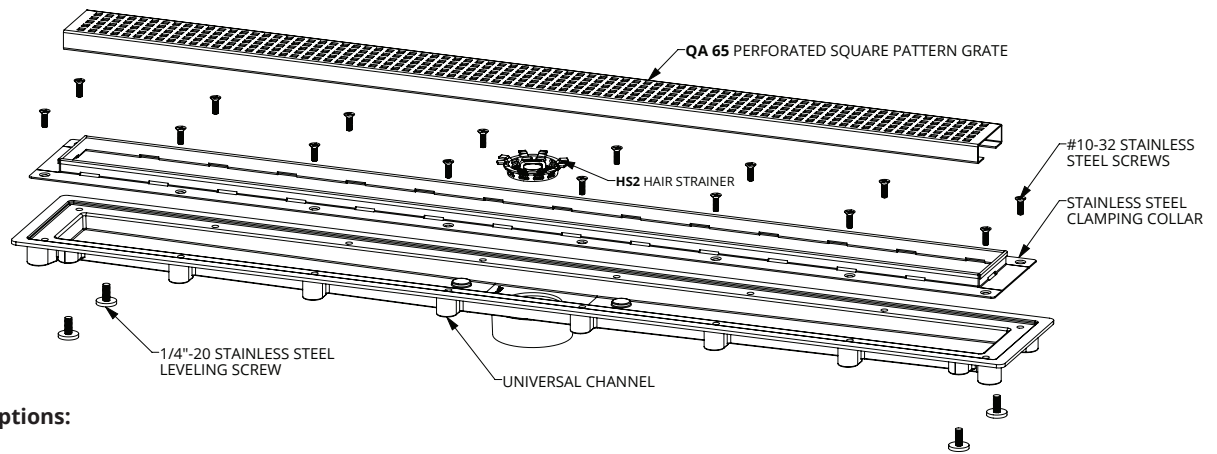
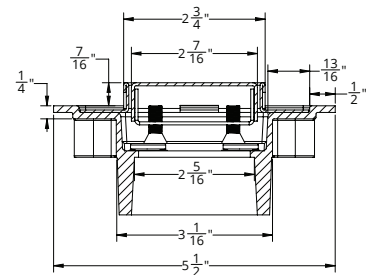
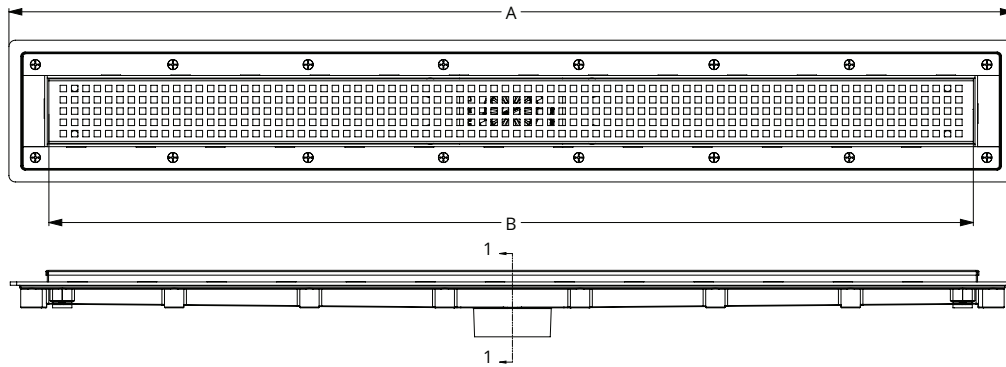
Polished Stainless

**Infinity Drain**  
 145 Dixon Avenue  
 Amityville, NY 11701  
 Phone: 516.767.6786  
 Fax: 516.740.3066  
 www.infinitydrain.com



NOTE: Installer must verify all rough-in dimensions prior to installation and consult local and national codes. Conformity and compliance to local and national codes are the responsibility of the installer.

# ID Infinity Drain



### Channel Material Options:

- A = ABS
- P = PVC

Model Number	Complete Kit Contents	A (Maximum Overall Length)	B (Maximum Grate Length)
<input type="checkbox"/> USQ 42-A USQ 42-P	1 - QA 6542 Perforated Squares Pattern Grate 1 - UC 42 Channel 2 - CC 42 Clamping Collars 1 - HS 2 Hair Strainer 1 - AKEY Lift Out Key	45"	41 7/8"
<input type="checkbox"/> USQ 48-A USQ 48-P	1 - QA 6548 Perforated Squares Pattern Grate 1 - UC 48 Channel 2 - CC 48 Clamping Collars 1 - HS 2 Hair Strainer 1 - AKEY Lift Out Key	51"	47 7/8"
<input type="checkbox"/> USQ 54-A USQ 54-P	1 - QA 6554 Perforated Squares Pattern Grate 1 - UC 54 Channel 2 - CC 54 Clamping Collars 1 - HS 2 Hair Strainer 1 - AKEY Lift Out Key	57"	53 7/8"
<input type="checkbox"/> USQ 60-A USQ 60-P	1 - QA 6560 Perforated Squares Pattern Grate 1 - UC 60 Channel 2 - CC 60 Clamping Collars 1 - HS 2 Hair Strainer 1 - AKEY Lift Out Key	63"	59 7/8"

### Finishes

Satin Stainless

Polished Stainless

**Infinity Drain**  
 145 Dixon Avenue  
 Amityville, NY 11701  
 Phone: 516.767.6786  
 Fax: 516.740.3066  
 www.infinitydrain.com



NOTE: Installer must verify all rough-in dimensions prior to installation and consult local and national codes. Conformity and compliance to local and national codes are the responsibility of the installer.