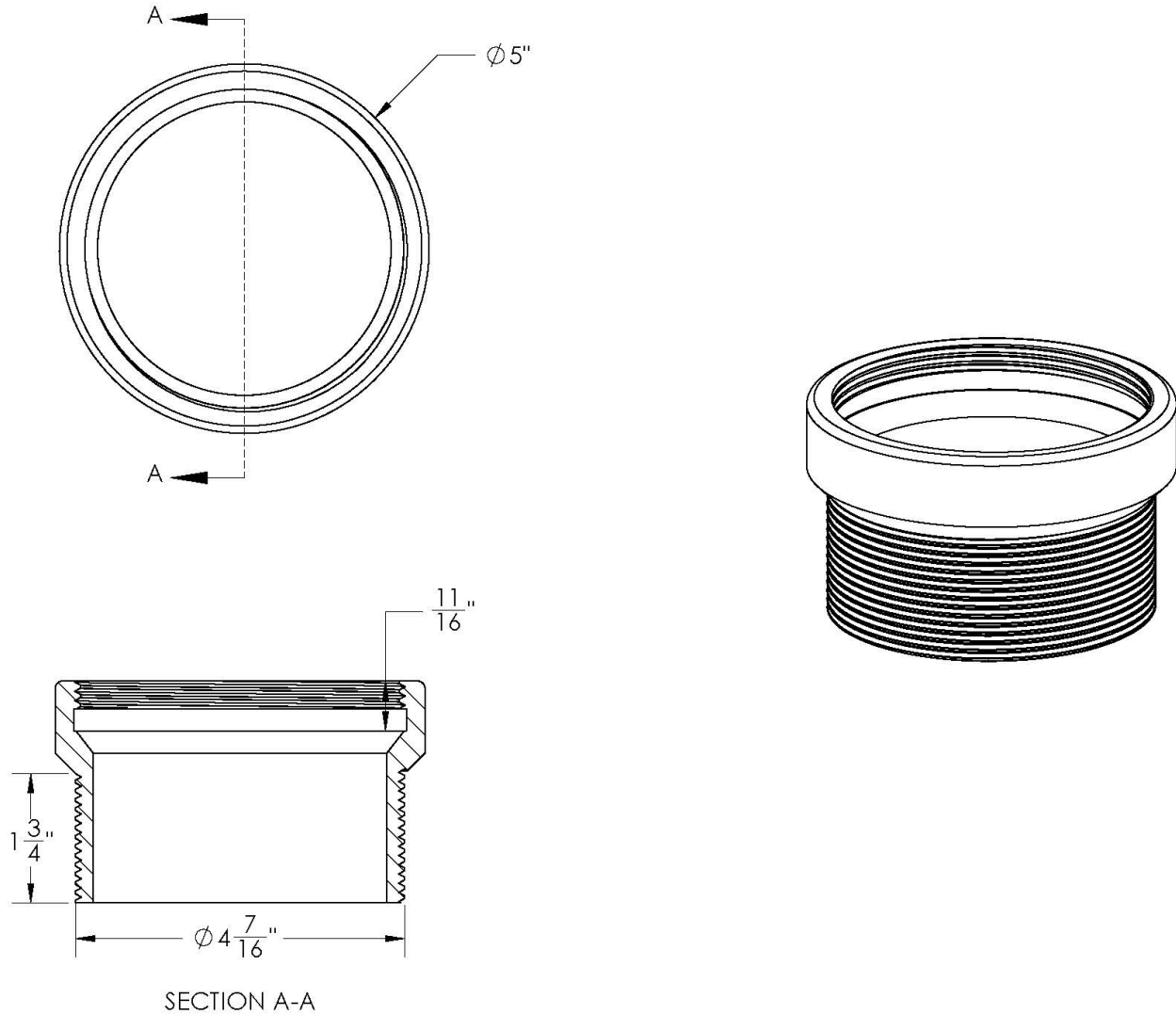


TNRN-4 Specifications



Cast Iron Threaded Nipple extension for T15A, T 20A, RT15A, T4, FXAS 125, S-AS 99, SDGAS - 99, S-TIFAS 99

Provides extension:
Minimum - 1 1/2"
Maximum - 2 3/4"

Infinity Drain
145 Dixon Avenue
Amityville, NY 11701
Phone: 516.767.6786
Fax: 516.740.3066
www.InfinityDrain.com

Note: Installer must verify all rough-in dimensions prior to installation and consult local and national codes. Conformity and compliance to local and national codes are the responsibility of the installer.