

# ID Infinity Drain®

## Supplemental Installation Instructions for TA 65



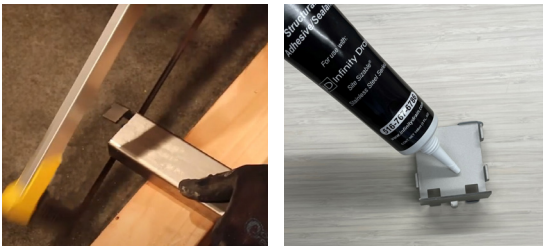
### 1 MEASURE

- A. Measure the inside length of the installed channel (A). The overall length of the tile insert frame should be  $1/8''$  less than this measurement (B). Use the worksheet on the back of this sheet for reference.
- B. Remove both TIF PL plates from either end of the TA 65 tile insert frame by removing the screws.
- C. Measure TA 65 Tile Insert frame. The length of the frame only (C) should be length (B) minus  $9/16''$  to accommodate for both TIF PL ends, or  $9/32''$  for each.



### 2 CUT

- A. If needed, cut the TA 65 tile insert frame to length (C) from one end. This can be done using a hack saw (with a 32 TPI blade), a chop saw (with a carbide tipped 90 tooth blade), or a band saw (with a 32 TPI blade). If the cut location is on a supporting foot of the TA 65 frame, offset the cut to avoid the foot and perform a second cut from the other end of the TA 65 by the amount that was offset.
- B. Deburr any sharp edges using a deburring tool, file or equal.



### 3 GLUE

- A. Apply the provided M1 Adhesive to the inside of each TIF PL. Then place the TIF PL over the bottom of each end of the TA 65 tile insert frame.
- B. Ensure that the TIF PL is seated completely against the frame on all sides.
- C. Clamping the TIF PL in place to prevent movement. If the screw hole is still visible on one end, thread the screw back into place.
- D. Allow at least hours to dry before handling.



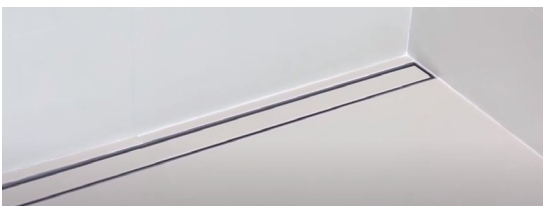
### 4 INSTALL TILE

- A. Once the M1 Adhesive is dry, spread a layer of thinset mortar using an appropriate trowel so that the finished tile/stone is flush to the metal frame. If using a material less than  $3/4''$  thick, a layer of dry pack mortar or backer board should be used prior to applying thinset.
- B. Ensure mortar is dry before applying thinset. Consult the manufacturer's instructions for proper drying time of the thinset mortar.
- C. Apply grout according to the manufacturer's instructions. It is recommended to protect to the top edge of the tile insert frame during grouting using painter's tape or equal.



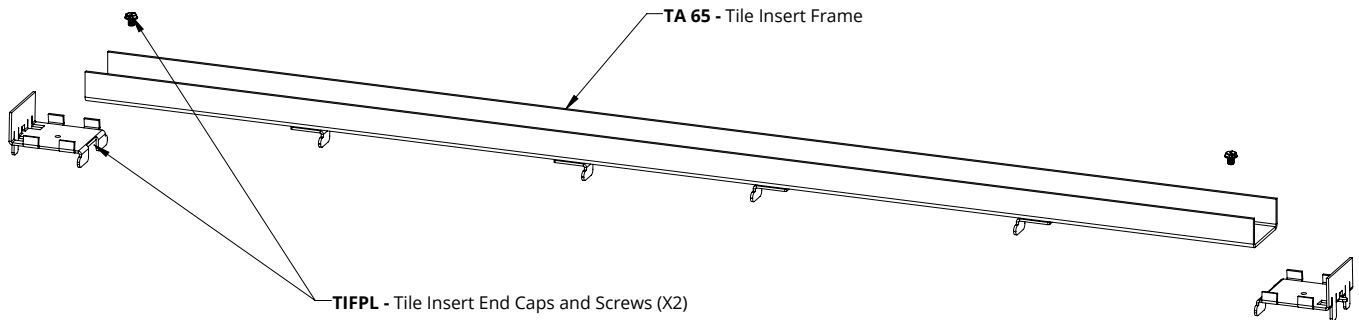
### 5 PLACE TILE INSERT FRAME

- A. Place the completed TA 65 tile insert frame assembly into the channel.
- B. NOTE: The tile insert frame should sit into the channel without force. If the tile insert frame requires effort to place into the channel, please contact Infinity Drain for additional support.



# ID Infinity Drain<sup>®</sup>

## Supplemental Installation Instructions for TA 65



A = \_\_\_\_\_ (Fill in with inside length of the installed channel)

$A - 1/8'' = B$

B = \_\_\_\_\_

$B - 9/16'' = C$

C = \_\_\_\_\_