

Next Day Custom



Next Day Custom Linear Drains are available in four grate styles (Wedge Wire, Tile Insert, Offset Slotted and Adhesion), five standard finishes and lengths up to 96”.

- Purchase orders and sign offs received by 10am ET will ship the following day with no additional up-charge
- Grate Styles: Wedge Wire, Offset Slotted, Adhesion, Tile Insert Frame
- Finishes: Satin Stainless, Polished Stainless, Oil Rubbed Bronze, Satin Bronze and Matte Black
- Available on linear drains up to 96” in length
- Installation Types: FX Series, FF Series, FCB Series, FCS Series
- Custom outlet placement or multiple outlets along channel run
- Limit 1 item (complete kit – channel and grate) per purchase order number



Next Day Custom Custom Form

ORDERS AND SIGN OFF IN BY 10 AM ET, SHIP NEXT DAY

1. Choose Grate Style & Finish

Note: Lengths exceeding the grate's maximum single length will be split into equal sections.

<input type="checkbox"/> 2 MM WEDGE WIRE Maximum Single Grate Length: 72"	<input type="checkbox"/> OFFSET SLOTTED Maximum Single Grate Length: 96"	<input type="checkbox"/> ADHESION Maximum Single Grate Length: 96"	<input type="checkbox"/> TILE INSERT FRAME 3/8" Depth for Tile Maximum Single Grate Length: 60"	<input type="checkbox"/> TILE INSERT FRAME 3/4" Depth for Tile Maximum Single Grate Length: 60"	<input type="checkbox"/> NO GRATE (CHANNEL ONLY)
---	--	--	--	--	--

2. Choose Channel

*FX installation requires the selection of a finish, even if ordering the channel only.

<input type="checkbox"/> FF Fixed Flange 1" Flange 2" No Hub Outlet	<input type="checkbox"/> FCS Flange with KERDI Factory applied KERDI 1" Flange for Wall to Wall 2" No Hub Outlet	<input type="checkbox"/> NDC FCS Flange with KERDI Factory applied KERDI 1/2" Flange for Wall to Wall 2" No Hub Outlet	<input type="checkbox"/> FCB Double Waterproofing 1" Flange 2" Threaded Outlet**	<input type="checkbox"/> FX Fixed Length* 2" Threaded Outlet**
--	--	--	---	--

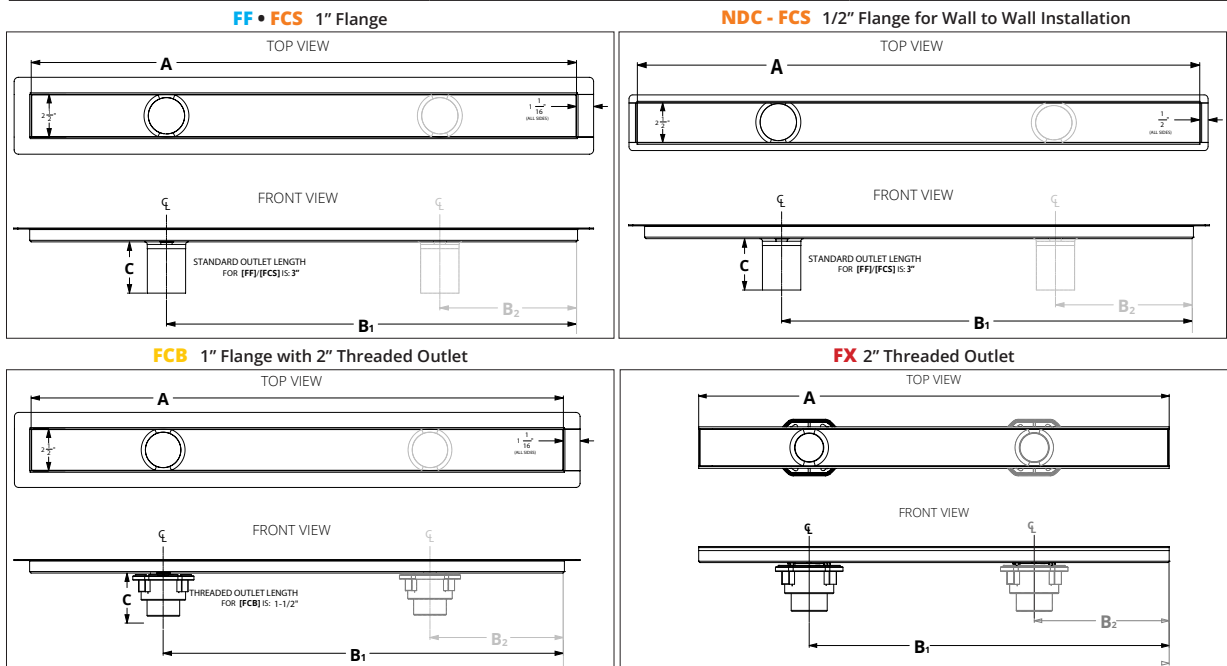
**Clamp down drain not included

3. Choose Finish

<input type="checkbox"/> SATIN STAINLESS	<input type="checkbox"/> POLISHED STAINLESS	<input type="checkbox"/> OIL RUBBED BRONZE	<input type="checkbox"/> SATIN BRONZE	<input type="checkbox"/> MATTE BLACK
---	--	---	--	---

4. Choose Length & Outlet Location(s) - (Up to 96" length)

A: Overall Inside Length (FF, FCB, FCS) A: Overall Length (FX)	B1: Outlet Location 1	B2: Outlet Location 2
<input type="checkbox"/>	<input type="checkbox"/>	<input type="checkbox"/>
<i>FOR ADDITIONAL OUTLET IF NEEDED</i>		



5. Choose Shipping Method

<input type="checkbox"/> Ground	<input type="checkbox"/> Standard Overnight	<input type="checkbox"/> Priority Overnight (AM Delivery)
---------------------------------	---	---

6. Sign & Reference

By signing this form, you are agreeing to the terms and conditions herein. All details and finishes stated are correct. All dimensions are correct and are to be held within a tolerance of +/- 1/16". All other details and dimensions that are specified as "standard" are subject to manufacturer's tolerance and change without notice. We can assume no responsibility for use of superseded or void data. All custom orders are non-cancellable, non-returnable and non-refundable.

Infinity Drain
145 Dixon Avenue
Amityville, NY 11701
Phone: 516.767.6786
Fax: 516.740.3066
www.infinitydrain.com



APPROVAL	NAME <input type="checkbox"/>	PO #/REFERENCE <input type="checkbox"/>
	SIGNATURE <input type="checkbox"/>	DATE <input type="checkbox"/>

Custom