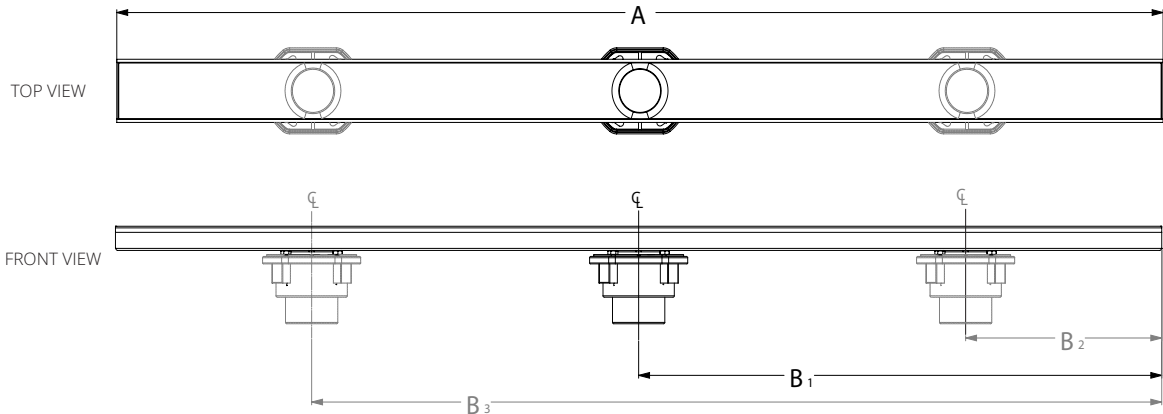




FXC (Fixed Length) Standard Custom Form

FX (Fixed Length) linear drains are designed for use with traditional waterproofing methods including PVC Liners, Rubber Liners, Hot Mop, Lead Pan, Copper Pan and Fiberglass. The overall length of the channel (**A**) is the finished length of the drain, which is the outside dimension. All outlet locations (**B**) are measured from the right outside edge. For this installation a mechanically fastening drain body (clamp down drain) must be installed. A mortar bed or equal is spread across the shower area and sloped in all directions towards the clamp down drain body. A waterproofing membrane is installed with the drain body and over the mortar bed. The linear drain is threaded into the drain body and set to the correct height. A final layer of mortar is spread to encase the linear drain and is spread across the shower floor with a slope to the drain. Tile or stone is applied to the final mortar bed.



A: Overall Length	B1: Outlet Location 1	B2: Outlet Location 2	B3: Outlet Location 3
<input type="checkbox"/>	<input type="checkbox"/>	<input type="checkbox"/>	<input type="checkbox"/>
<i>FOR ADDITIONAL OUTLETS IF NEEDED</i>			

Requires 2" clamping floor drain with 2" throat (Sold separately)



Note: Lengths exceeding the grate's maximum single length will be split into equal sections.

Grate Styles - Choose (1) Below		OR	Channel Only <input type="checkbox"/>
<input type="checkbox"/> FXAS 65 2 1/2" WIDE WEDGE WIRE SA 65 GRATE XC 65 CHANNEL Maximum Single Grate Length: 72"	<input type="checkbox"/> FXED 65 OFFSET OVAL PATTERN EA 65 GRATE XC 65 CHANNEL Maximum Single Grate Length: 96"	<input type="checkbox"/> FXDG 65 CIRCLE PATTERN PA 65 GRATE XC 65 CHANNEL Maximum Single Grate Length: 96"	
<input type="checkbox"/> FXAS 100 4 1/4" WIDE WEDGE WIRE SA 100 GRATE XC 100 CHANNEL 4" THROAT Maximum Single Grate Length: 72"	<input type="checkbox"/> FXMN 65 MARC NEWSON PATTERN MA 65 GRATE XC 65 CHANNEL Maximum Single Grate Length: 96"	<input type="checkbox"/> FXGR 65 ADHESION PATTERN GA 65 GRATE XC 65 CHANNEL Maximum Single Grate Length: 96"	
<input type="checkbox"/> FXAS 125 5" WIDE WEDGE WIRE SA 100 GRATE XC 100 CHANNEL 4" THROAT Maximum Single Grate Length: 72"	<input type="checkbox"/> FXSG 65 SOLID GRATE BA 65 GRATE XC 65 CHANNEL Maximum Single Grate Length: 60"	<input type="checkbox"/> FXLT 65 OFFSET SLOTTED PATTERN KA 65 GRATE XC 65 CHANNEL Maximum Single Grate Length: 96"	
<input type="checkbox"/> FXIG 65 SLOTTED PATTERN UA 65 GRATE XC 65 CHANNEL Maximum Single Grate Length: 96"	<input type="checkbox"/> FXTIF 65 TILE INSERT TA 65 GRATE IC 65 CHANNEL 3/4" MATERIAL Maximum Single Grate Length: 60"	<input type="checkbox"/> FXLTIF 65 TILE INSERT LA 65 GRATE XC 65 CHANNEL 3/8" MATERIAL Maximum Single Grate Length: 60"	

Grate Finish - Choose (1)
<input type="checkbox"/> Satin Stainless (SS)
<input type="checkbox"/> Polished Stainless (PS)
<input type="checkbox"/> Oil Rubbed Bronze (ORB)
<input type="checkbox"/> Satin Bronze (SB)
<input type="checkbox"/> Matte Black (BK)
<input type="checkbox"/> Gunmetal
<input type="checkbox"/> Matte White
<input type="checkbox"/> Satin Champagne
<input type="checkbox"/> Polished Brass
<input type="checkbox"/> Polished Gold
<input type="checkbox"/> Custom Finish (Specify Color to Match)
<input type="checkbox"/>
Custom finishes can be made to match a sample provided by the customer. Contact Infinity Drain for availability of desired finish.

Terms and Conditions:

By signing this form, you are agreeing to the terms and conditions herein. All details and finishes stated are correct. All dimensions are correct and are to be held within a tolerance of +/- 1/16". All other details and dimensions that are specified as "standard" are subject to manufacturer's tolerance and change without notice. We can assume no responsibility for use of superseded or void data. All custom orders are non-cancellable, non-returnable and non-refundable.

Infinity Drain
145 Dixon Avenue
Amityville, NY 11701
Phone: 516.767.6786
Fax: 516.740.3066
www.infinitydrain.com



APPROVAL

NAME <input type="checkbox"/>	JOB NAME/REFERENCE <input type="checkbox"/>
SIGNATURE <input type="checkbox"/>	DATE <input type="checkbox"/>

FM525-11-23

For pricing email: quotes@infinitydrain.com

Custom