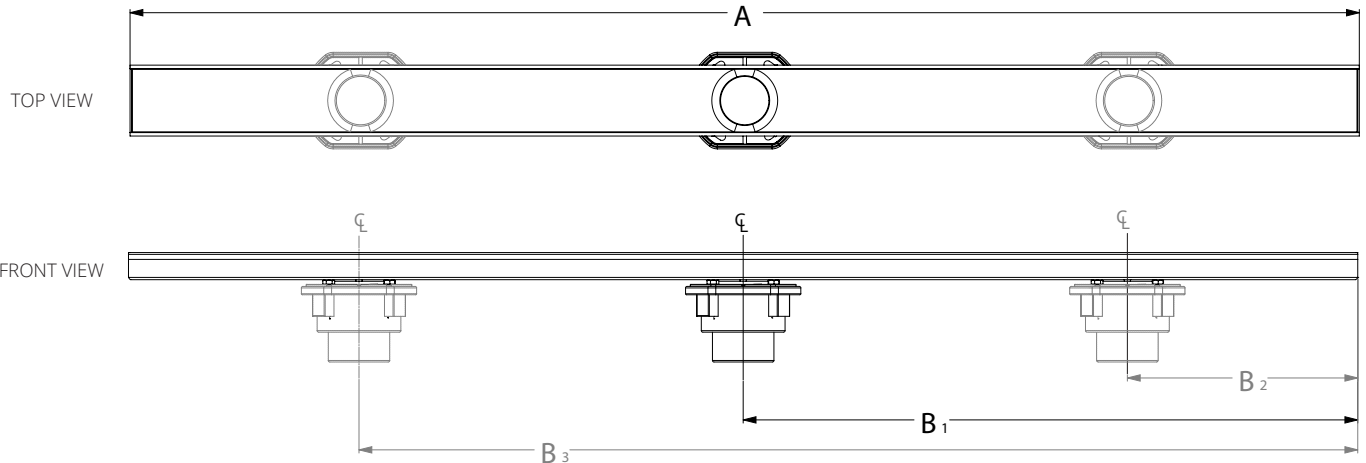


**[FX]** (Fixed Length) linear drains are designed for use with traditional waterproofing methods including PVC Liners, Rubber Liners, Hot Mop, Lead Pan, Copper Pan and Fiberglass. The overall length of the channel (**A**) is finished length of the drain, which is the outside dimension. All outlet locations (**B**) are measured from the right outside edge. For this installation a mechanically fastening drain body (clamp down drain) must be installed. A mortar bed or equal is spread across the shower area and sloped in all directions towards the clamp down drain body. A waterproofing membrane is installed with the drain body and over the mortar bed. The linear drain is threaded into the drain body and set to the correct height. A final layer of mortar is spread to encase the linear drain and is spread across the shower floor with a slope to the drain. Tile or stone is applied to the final mortar bed.

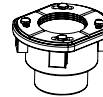


A: Overall Length	B1: Outlet Location 1	B2: Outlet Location 2	B3: Outlet Location 3
<input type="checkbox"/>	<input type="checkbox"/>	<input type="checkbox"/>	<input type="checkbox"/>
<i>FOR ADDITIONAL OUTLETS IF NEEDED</i>			

Requires 2" clamping floor drain with 2" throat  
(Sold separately)

### Waterproofing via clamping floor drain:

- CDI 22** - Cast Iron 2" throat, 2" no hub connect
- CDIH 22** - (For Hot Mop) Cast Iron 2" throat, 2" no hub connect
- CDA 22** - ABS 2" throat, 2" standard connect
- CDP 22** - PVC 2" throat, 2" standard connect



### Rush Fabrication Option: \*5 Business Days (Additional charges may apply)

**RUSH**

\*Rush fabrication is only applicable to outlet and straight-length modifications and is limited to a total of (10) drains per order. The rush charge is applied per set up. The lead time for lengths up to 108" in standard listed finishes is (5) business days, plus shipping. The lead time for lengths between 108" and 120" in standard listed finishes is 8 business days, plus shipping. The lead time begins the next full business day from when a valid PO and signed custom form is received.

Grate Styles - Choose (1) Below			OR	Channel Only <input type="checkbox"/>	Grate Finish - Choose (1)
<input type="checkbox"/> <b>FXAS 65</b> 2 1/2" WIDE WEDGE WIRE		<input type="checkbox"/> <b>FXED 65</b> OFFSET OVAL PATTERN		<input type="checkbox"/> <b>FXTIF 65</b> TILE INSERT	<input type="checkbox"/> Satin Stainless (SS)
<input type="checkbox"/> <b>FXAS 125</b> 5" WIDE WEDGE WIRE 4" THROAT STANDARD		<input type="checkbox"/> <b>FXMN 65</b> MARC NEWSON PATTERN			<input type="checkbox"/> Polished Stainless (PS)
<input type="checkbox"/> <b>FXIG 65</b> SLOTTED PATTERN		<input type="checkbox"/> <b>FXSG 65</b> SOLID GRATE			<input type="checkbox"/> Matte Black (BK)
					<input type="checkbox"/> Satin Bronze (SB)
					<input type="checkbox"/> Oil Rubbed Bronze (ORB)
					<input type="checkbox"/> Matte White (WH)
					<input type="checkbox"/> Other (Specify Color to Match)* <i>Not applicable for Rush</i>
					<input type="checkbox"/>

\* Custom finishes can be made to match a sample provided by the customer. Contact Infinity Drain for availability of desired finish.

### Terms and Conditions:

By signing this form, you are agreeing to the terms and conditions herein. All details and finished stated are correct. All dimensions are correct and are to be held within a tolerance of +/- 1/16". All other details and dimensions that are specified as "standard" are subject to manufacturer's tolerance and change without notice. We can assume no responsibility for use of superseded or void data. All custom orders are non-cancellable, non-returnable and non-refundable.

**Infinity Drain**  
145 Dixon Avenue  
Amityville, NY 11701  
Phone: 516.767.6786  
Fax: 516.740.3066  
www.Infinitydrain.com



<b>APPROVAL</b>	NAME <input type="checkbox"/>	JOB NAME/REFERENCE <input type="checkbox"/>
	SIGNATURE <input type="checkbox"/>	DATE <input type="checkbox"/>