

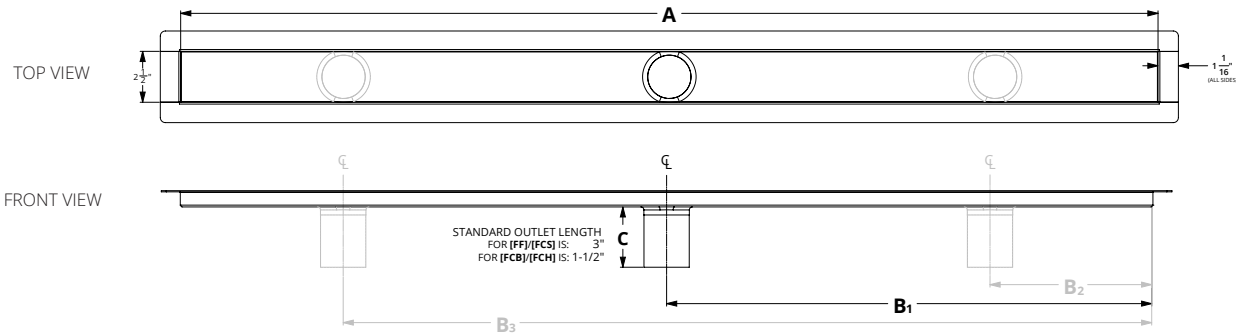
FFC (Fixed Flange) Standard Custom Form



FF (Flanged) linear drains are designed for use with liquid applied (cold fluid applied) or fabric sheet membranes. The overall inside length of channel (A) is the finished length of the drain, with a 1-1/16" flange on all four sides to accept the waterproofing membrane. All outlet locations (B) are measured from the right inside channel edge. For this type of installation a mortar bed or equal is created up to and around the drain with the appropriate slope towards the drain. The waterproofing is applied over the mortar bed and the flange of the channel. Tile or stone is applied directly to the waterproofing for a low profile installation. The standard FC channel is provided with a 2" No-Hub Outlet.

Specialty channel options are available.

- **FCB** for Double Waterproofing - Comes with a 2" threaded outlet for use with a clamping drain body and a traditional membrane as a primary waterproofing and has the standard 1-1/16" for a liquid/fabric secondary waterproofing.
- **FCS** for Schluter®-KERDI Waterproofing - Comes with KERDI membrane factory applied to the channel for use with the Schluter®-KERDI system only. Uses a 2" No-Hub Outlet.
- **FCBS** for Double Waterproofing - Comes with a 2" threaded outlet for use with a clamping drain body and a traditional membrane as a primary waterproofing with KERDI membrane factory applied to the channel for use with the Schluter®-KERDI system as secondary waterproofing.
- **FCH** for Liquid or Fabric Waterproofing only - Comes with a 2" tapered male threaded outlet (MPT) for direct threaded connection to a 2" female (FPT) fitting.



<input type="checkbox"/> A: Overall Inside Length	<input type="checkbox"/> B1: Outlet Location 1	<input type="checkbox"/> B2: Outlet Location 2	<input type="checkbox"/> B3: Outlet Location 3	<input type="checkbox"/> C: Outlet Length
<input type="checkbox"/>	<input type="checkbox"/>	<input type="checkbox"/>	<input type="checkbox"/>	<input type="checkbox"/>
<i>FOR ADDITIONAL OUTLETS IF NEEDED</i>			<i>IF NOT STANDARD</i>	

Channel Option: Choose (1)

FF Standard 2" No Hub Outlet
 FCB Double Waterproofing 2" Threaded Outlet
 FCS Flange with KERDI Factory applied KERDI with 2" No Hub Outlet
 FCBS Double Waterproofing with KERDI Factory applied KERDI with 2" Threaded Outlet
 FCH Tapered Threaded 2" MPT Outlet

Note: Lengths exceeding the grate's maximum single length will be split into equal sections.

Grate Styles - Choose (1) Below		OR	Channel Only <input type="checkbox"/>
FFAS 25 1" WIDE <input type="checkbox"/> WEDGE WIRE SA 38 GRATE Maximum Single Grate Length: 72"	FFAS 38 1 1/2" WIDE <input type="checkbox"/> WEDGE WIRE SA 38 GRATE Maximum Single Grate Length: 72"		FFDG 65 CIRCLE PATTERN PA 65 GRATE Maximum Single Grate Length: 96"
FFAS 65 2 1/2" WIDE <input type="checkbox"/> WEDGE WIRE WA 65 GRATE Maximum Single Grate Length: 72"	FFED 65 OFFSET OVAL PATTERN <input type="checkbox"/> EA 65 GRATE Maximum Single Grate Length: 96"		FFGR 65 ADHESION PATTERN <input type="checkbox"/> GE 65 GRATE Maximum Single Grate Length: 96"
FFAS 100 3 15/16" WIDE <input type="checkbox"/> WEDGE WIRE SA 100 GRATE Maximum Single Grate Length: 72"	FFMN 65 MARC NEWSON PATTERN <input type="checkbox"/> MA 65 GRATE Maximum Single Grate Length: 96"		FFIG 65 SLOTTED PATTERN <input type="checkbox"/> UA 65 GRATE Maximum Single Grate Length: 96"
FFAS 125 5" WIDE <input type="checkbox"/> WEDGE WIRE SA 125 GRATE Maximum Single Grate Length: 72"	FFSG 65 SOLID GRATE <input type="checkbox"/> BA 65 GRATE Maximum Single Grate Length: 60"		FFTIF 65 TILE INSERT <input type="checkbox"/> LA 65 GRATE Maximum Single Grate Length: 60"

Grate Finish - Choose (1)

Satin Stainless (SS)
 Polished Stainless (PS)
 Oil Rubbed Bronze (ORB)
 Satin Bronze (SB)
 Matte Black (BK)
 Gunmetal
 Matte White
 Satin Champagne
 Polished Brass
 Polished Gold
 Custom Finish (Specify Color to Match)

Custom finishes can be made to match a sample provided by the customer. Contact Infinity Drain for availability of desired finish.

Terms and Conditions: By signing this form, you are agreeing to the terms and conditions herein. All details and finishes stated are correct. All dimensions are correct and are to be held within a tolerance of +/- 1/16". All other details and dimensions that are specified as "standard" are subject to manufacturer's tolerance and change without notice. We can assume no responsibility for use of superseded or void data. All custom orders are non-cancellable, non-returnable and non-refundable.

Infinity Drain
 145 Dixon Avenue
 Amityville, NY 11701
 Phone: 516.767.6786
 Fax: 516.740.3066
 www.infinitydrain.com



APPROVAL	NAME <input type="checkbox"/>	JOB NAME/REFERENCE <input type="checkbox"/>
	SIGNATURE <input type="checkbox"/>	DATE <input type="checkbox"/>