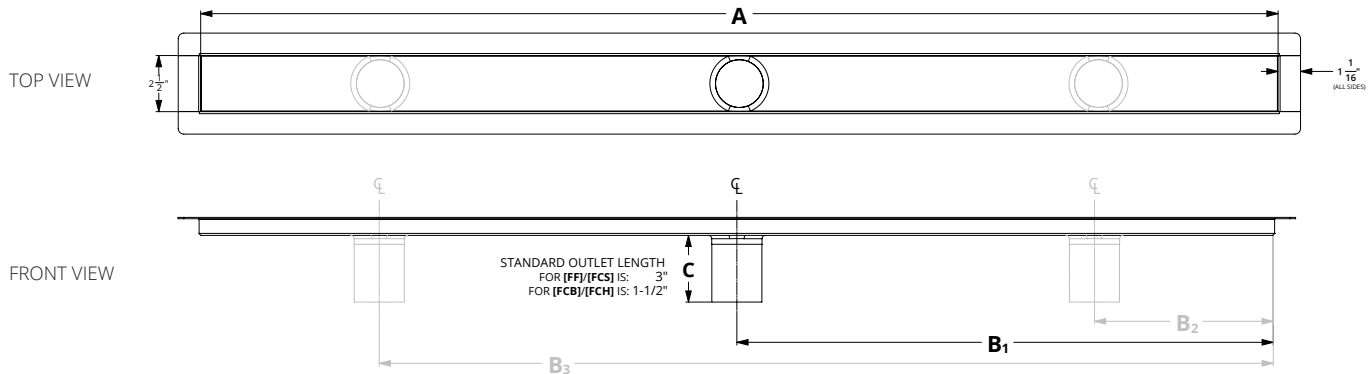


[FF] (Flanged) linear drains are designed for use with liquid applied (cold fluid applied) or fabric sheet membranes. The overall inside length of channel (**A**) is the finished length of the drain, with a 1-1/16" flange on all four sides to accept the waterproofing membrane. All outlet locations (**B**) are measured from the right inside channel edge. For this type of installation a mortar bed or equal is created up to and around the drain with the appropriate slope towards the drain. The waterproofing is applied over the mortar bed and the flange of the channel. Tile or stone is applied directly to the waterproofing for a low profile installation.

Speciality channel options are available.

- **[FCB]** for Double Waterproofing - Comes with a threaded outlet for use with a clamping drain body and a traditional membrane as a primary waterproofing and has the standard 1-1/16" for a liquid/fabric secondary waterproofing.
- **[FCS]** for Schluter KERDI Waterproofing - Comes with KERDI membrane factory applied to the channel for use with the Schluter KERDI system only. Uses a 2" No-Hub Outlet.
- **[FCH]** for Liquid or Fabric Waterproofing only - Comes with a 2" tapered male threaded outlet (MPT) for direct threaded connection to a 2" female (FPT) fitting.



A: Overall Inside Length	B1: Outlet Location 1	B2: Outlet Location 2	B3: Outlet Location 3	C: Outlet Length
<input type="checkbox"/>	<input type="checkbox"/>	<input type="checkbox"/>	<input type="checkbox"/>	<input type="checkbox"/>
FOR ADDITIONAL OUTLETS IF NEEDED			IF NOT STANDARD	

Rush Fabrication Option: *5 Business Days (Additional charges may apply)

RUSH *Rush fabrication is only applicable to outlet and straight-length modifications and is limited to a total of (10) drains per order. The rush charge is applied per set up. The lead time for lengths up to 108" in standard listed finishes is (5) business days, plus shipping. The lead time for lengths between 108" and 120" in standard listed finishes is 8 business days, plus shipping. The lead time begins the next full business day from when a valid PO and signed custom form is received.

Channel Option: Choose (1)

- | | | | |
|---|--|---|---|
| <input type="checkbox"/> [FF] Standard
2" No Hub Outlet | <input type="checkbox"/> [FCB] Double Waterproofing
2" Threaded Outlet | <input type="checkbox"/> [FCS] Flange with Kerdi
Factory applied KERDI - 2" No Hub Outlet | <input type="checkbox"/> [FCH] Tapered Threaded
2" MPT Outlet |
|---|--|---|---|
-

Grate Styles - Choose (1) Below

OR Channel Only

- | | | |
|---|--|---|
| <input type="checkbox"/> FFAS 25
1" WIDE WEDGE WIRE | <input type="checkbox"/> FFIG 65
SLOTTED PATTERN | <input type="checkbox"/> FFST
SLOT DRAIN |
| <input type="checkbox"/> FFAS 65
2 1/2" WIDE WEDGE WIRE | <input type="checkbox"/> FFED 65
OFFSET OVAL PATTERN | <input type="checkbox"/> FFSG 65
SOLID GRATE |
| <input type="checkbox"/> FFAS 125
5" WIDE WEDGE WIRE 3" OUTLET STANDARD | <input type="checkbox"/> FFMN 65
MARC NEWSON PATTERN | <input type="checkbox"/> FFTIF 65
TILE INSERT |

Grate Finish - Choose (1)

- Satin Stainless (SS)
- Polished Stainless (PS)
- Matte Black (BK)
- Satin Bronze (SB)
- Oil Rubbed Bronze (ORB)
- Matte White (WH)
- Other (Specify Color to Match)*
Not applicable for Rush

* Custom finishes can be made to match a sample provided by the customer. Contact Infinity Drain for availability of desired finish.

Terms and Conditions:

By signing this form, you are agreeing to the terms and conditions herein. All details and finished stated are correct. All dimensions are correct and are to be held within a tolerance of +/- 1/16". All other details and dimensions that are specified as "standard" are subject to manufacturer's tolerance and change without notice. We can assume no responsibility for use of superseded or void data. All custom orders are non-cancellable, non-returnable and non-refundable.

Infinity Drain
145 Dixon Avenue
Amityville, NY 11701
Phone: 516.767.6786
Fax: 516.740.3066
www.Infinitydrain.com



APPROVAL	NAME <input type="checkbox"/>	JOB NAME/REFERENCE <input type="checkbox"/>
	SIGNATURE <input type="checkbox"/>	DATE <input type="checkbox"/>