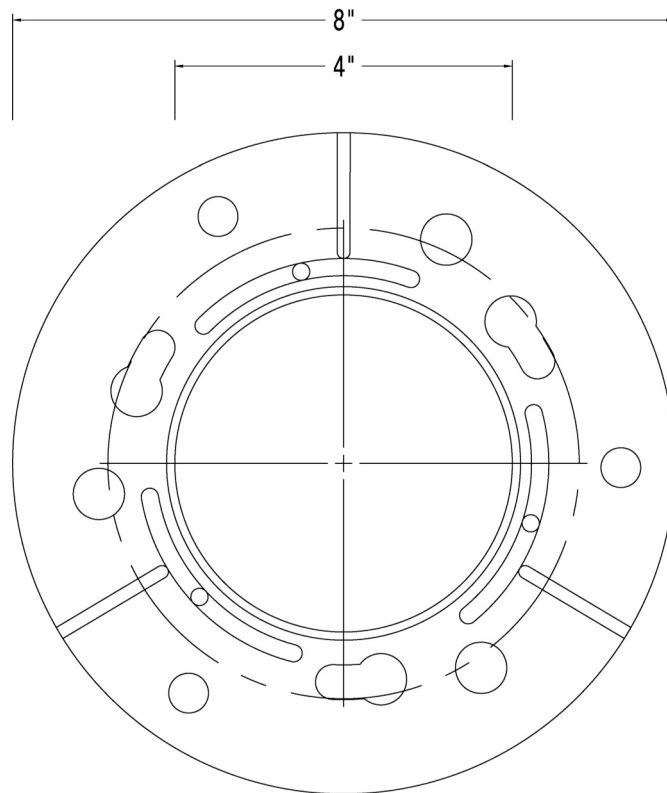


# UPC 4 Specifications

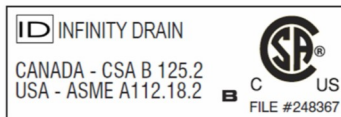


**Universal 4" Clamping Plate, 8" overall diameter x 4" throat.**

Allows adaptation to Zurn, Smith, Wade, Watts, Mifab, and Josam type 8" diameter clamping drain bodies for TD 15 +TD 20.

**Infinity Drain**

18 Secatoag Avenue  
Port Washington, NY 11050  
Phone: 516.767.6786  
Fax: 516.740.3066  
www.InfinityDrain.com



**Note:** Installer must verify all rough-in dimensions prior to installation and consult local and national codes. Conformity and compliance to local and national codes are the responsibility of the installer.