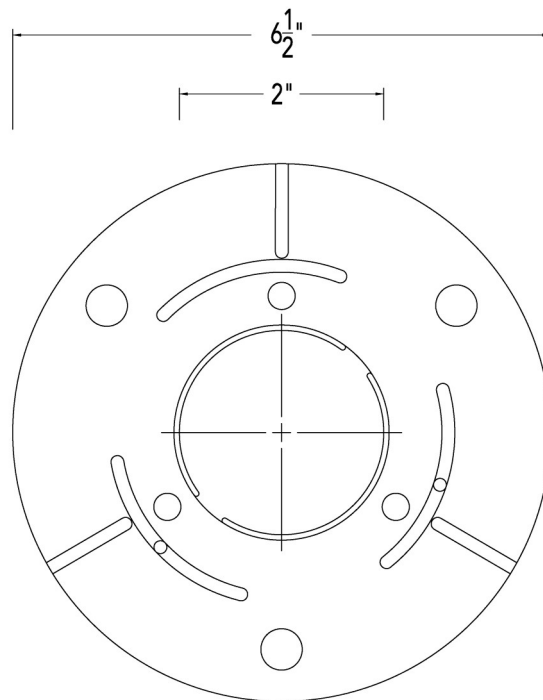


UPC 2 Specifications

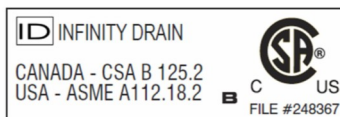


Universal 2" Clamping Plate, 6 1/2" overall diameter x 2" throat.

Allows adaptation to hot mop type drain bodies; Oatey 151, E2 test, and Frank Pattern Instant Set. Works with 2" threaded nipples TNAS + S50 in S series + FX series products (except FX 125).

Infinity Drain

18 Secatoag Avenue
Port Washington, NY 11050
Phone: 516.767.6786
Fax: 516.740.3066
www.InfinityDrain.com



Note: Installer must verify all rough-in dimensions prior to installation and consult local and national codes. Conformity and compliance to local and national codes are the responsibility of the installer.