

LA 65 Specifications

LA 65:

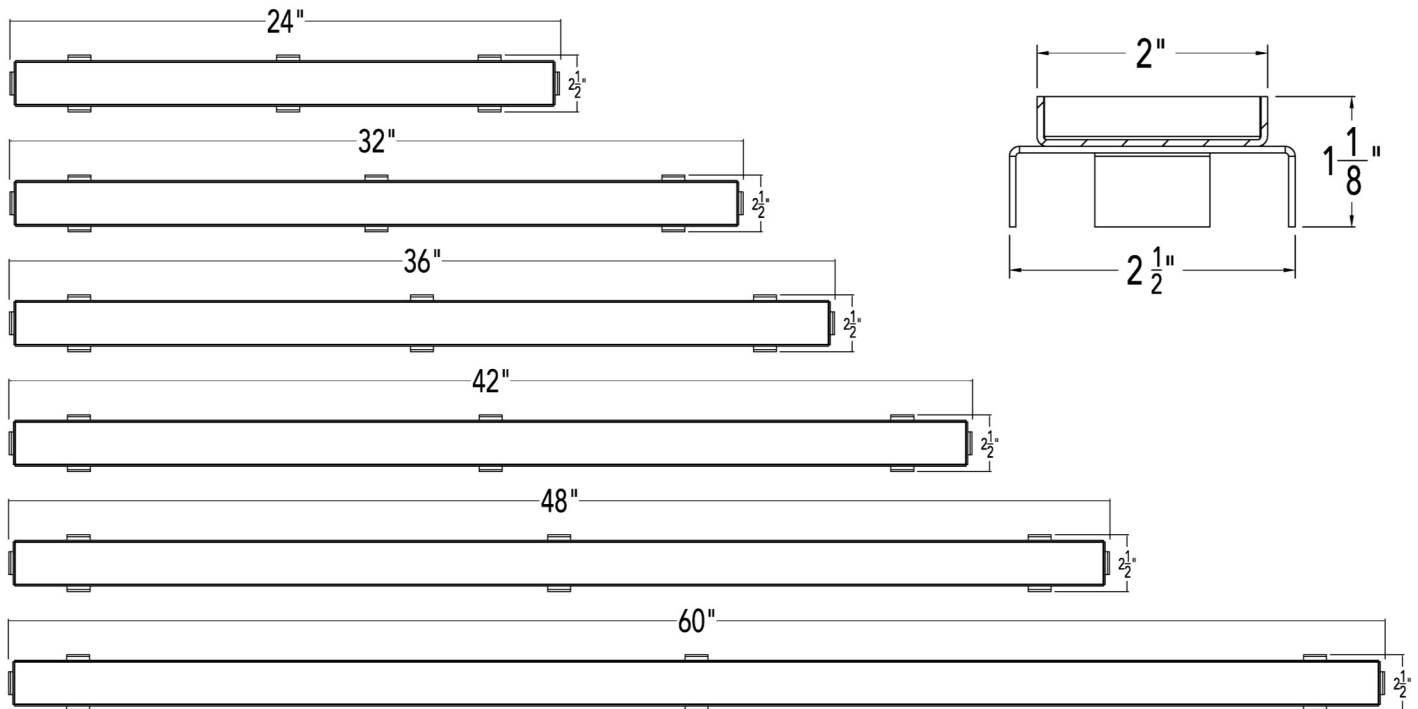
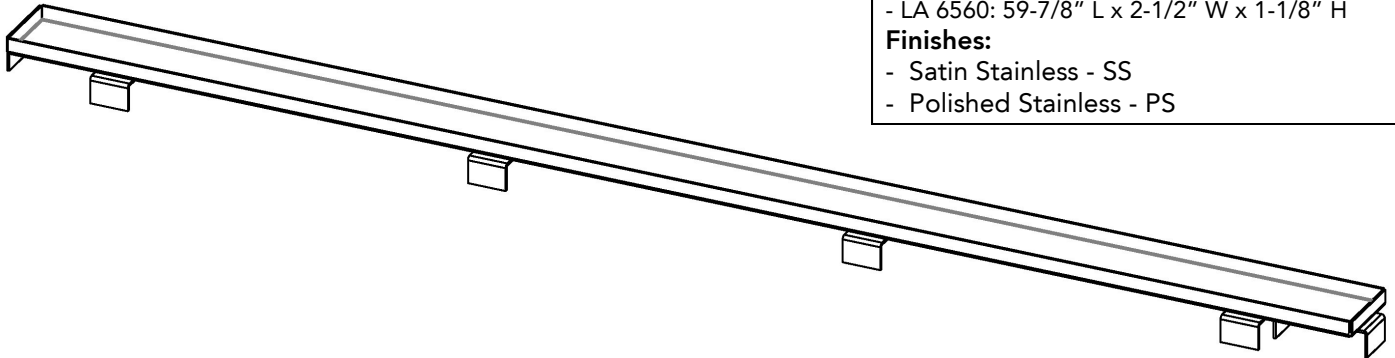
- Tile insert frame for FFTIF 65, FTTIF 65
- 16 gauge, 304 stainless steel
- Accepts flooring material up to 3/8" in thickness

Models (overall dimension):

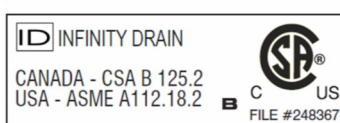
- LA 6524: 23-7/8" L x 2-1/2" W x 1-1/8" H
- LA 6532: 31-7/8" L x 2-1/2" W x 1-1/8" H
- LA 6536: 35-7/8" L x 2-1/2" W x 1-1/8" H
- LA 6542: 41-7/8" L x 2-1/2" W x 1-1/8" H
- LA 6548: 47-7/8" L x 2-1/2" W x 1-1/8" H
- LA 6560: 59-7/8" L x 2-1/2" W x 1-1/8" H

Finishes:

- Satin Stainless - SS
- Polished Stainless - PS



Infinity Drain
 18 Secatoag Avenue
 Port Washington, NY 11050
 Phone: 516.767.6786
 Fax: 516.740.3066
 www.InfinityDrain.com



Note: Installer must verify all rough-in dimensions prior to installation and consult local and national codes. Conformity and compliance to local and national codes are the responsibility of the installer.