

EA 65 Specifications

EA 65:

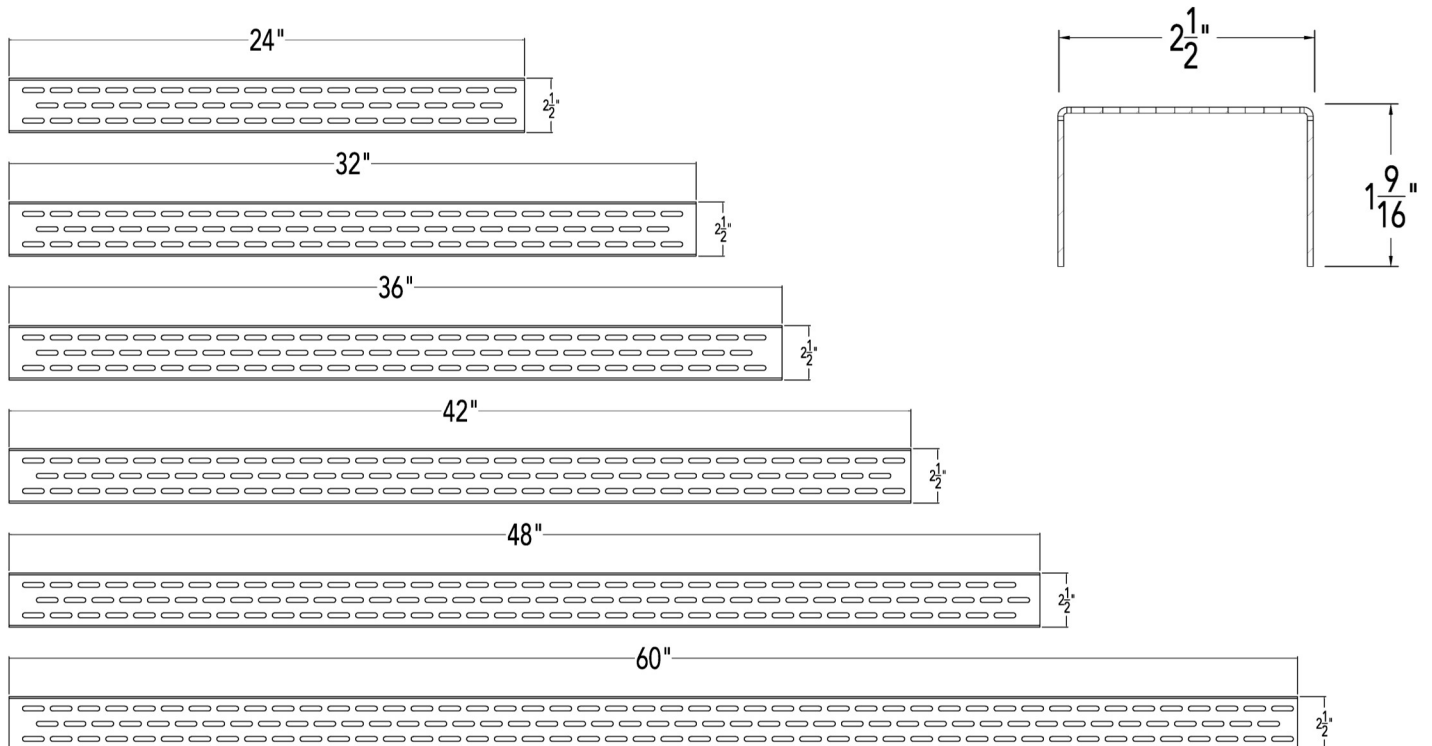
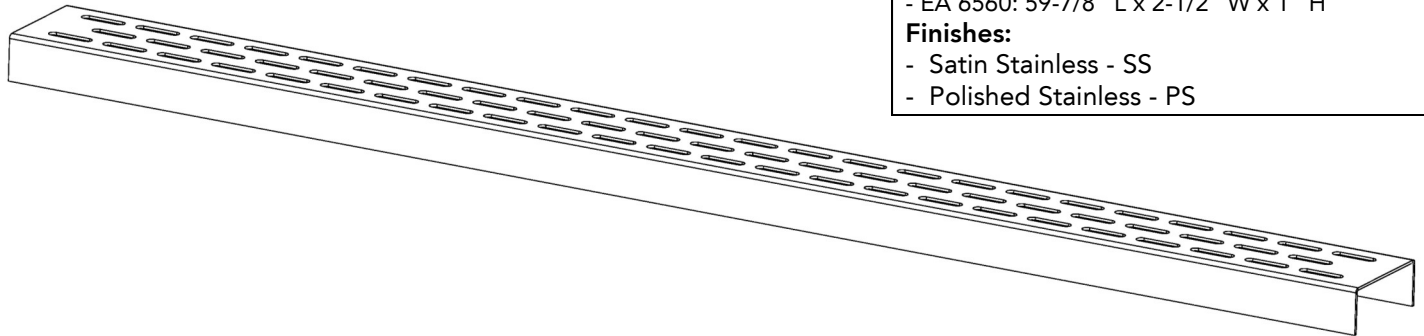
- Elongated oval perforated grate for FXED 65, FFED 65, FTED 65
- 16 gauge, 304 stainless steel

Models (overall dimension):

- EA 6524: 23-7/8" L x 2-1/2" W x 1" H
- EA 6532: 31-7/8" L x 2-1/2" W x 1" H
- EA 6536: 35-7/8" L x 2-1/2" W x 1" H
- EA 6542: 41-7/8" L x 2-1/2" W x 1" H
- EA 6548: 47-7/8" L x 2-1/2" W x 1" H
- EA 6560: 59-7/8" L x 2-1/2" W x 1" H

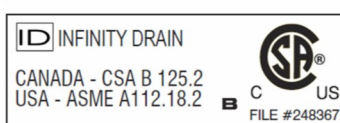
Finishes:

- Satin Stainless - SS
- Polished Stainless - PS



Infinity Drain

18 Secatoag Avenue
 Port Washington, NY 11050
 Phone: 516.767.6786
 Fax: 516.740.3066
 www.InfinityDrain.com



Note: Installer must verify all rough-in dimensions prior to installation and consult local and national codes. Conformity and compliance to local and national codes are the responsibility of the installer.