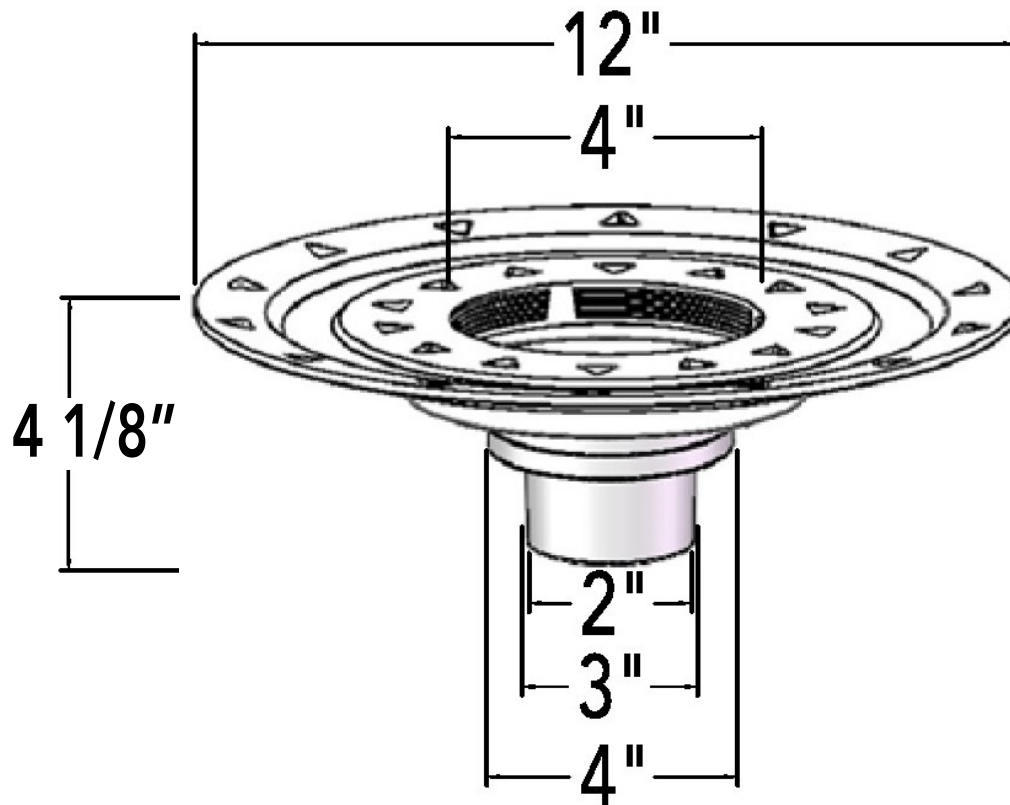


BFP 42 Specifications

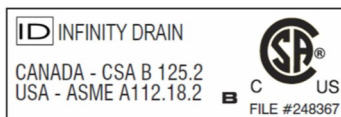
BFP 42:

- PVC Bonded Flange
- 4" Throat
- Fits 2", 3" & 4" Outlet
- 12" overall diameter



Infinity Drain

18 Secatoag Avenue
Port Washington, NY 11050
Phone: 516.767.6786
Fax: 516.740.3066
www.InfinityDrain.com



Note: Installer must verify all rough-in dimensions prior to installation and consult local and national codes. Conformity and compliance to local and national codes are the responsibility of the installer.