

A 100 Specifications

A 100:

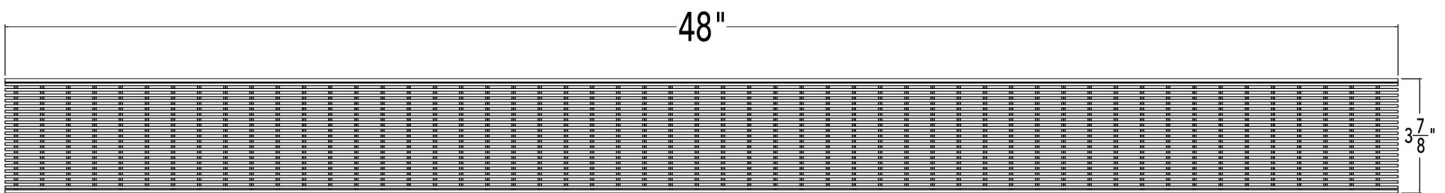
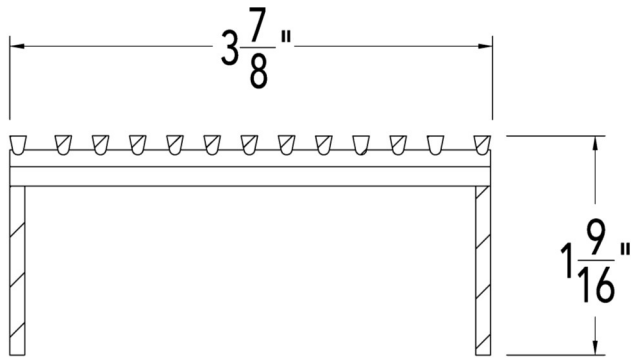
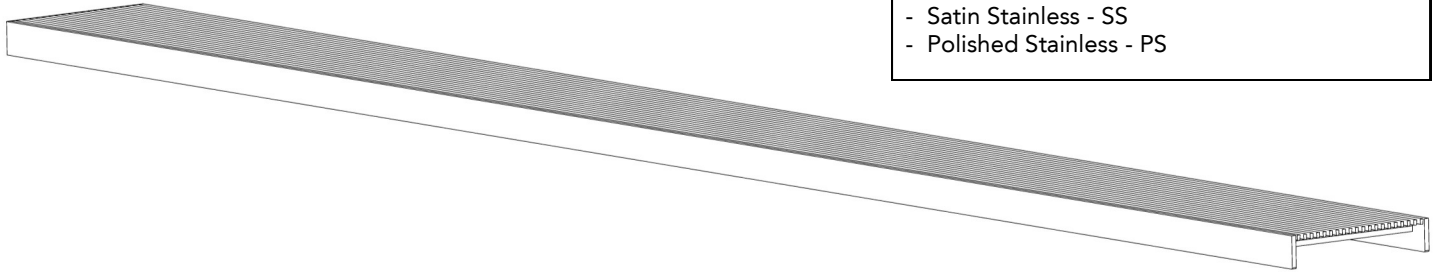
- Wedge wire grate for S-AG 100
- 12 gauge, 316 stainless steel
- 2mm wire, 2mm gap

Models (overall dimension):

- A 10048: 47-1/4" L x 3-7/8" W x 3/4" H

Finishes:

- Satin Stainless - SS
- Polished Stainless - PS



Infinity Drain

18 Secatoag Avenue
Port Washington, NY 11050
Phone: 516.767.6786
Fax: 516.740.3066
www.InfinityDrain.com



Note: Installer must verify all rough-in dimensions prior to installation and consult local and national codes. Conformity and compliance to local and national codes are the responsibility of the installer.