

# ID Infinity Drain



## TD 15-3 Center Drain Series

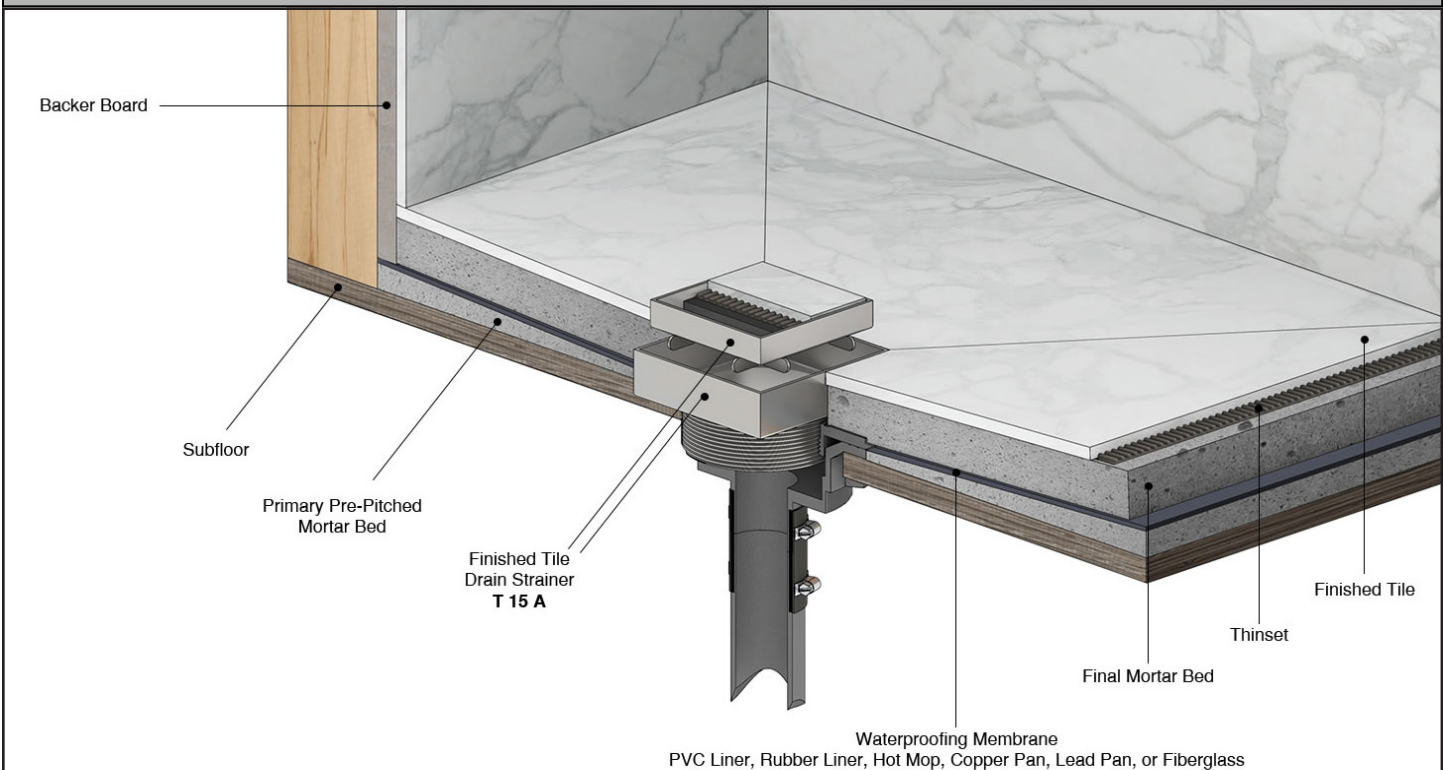
### Complete Kits:

- TD 15-3I
- TD 15-3P
- TD 15-3A

### Features

- 1" thick tile insert strainer
- 3/4" depth throat
- 16 gauge 304L stainless steel top with ABS base
- Indoor outdoor use
- Grate can be removed completely for cleaning
- Requires traditional 4-way floor pitch
- Flow rate 21 GPM with 3" outlet

### Installation



### Care & Maintenance

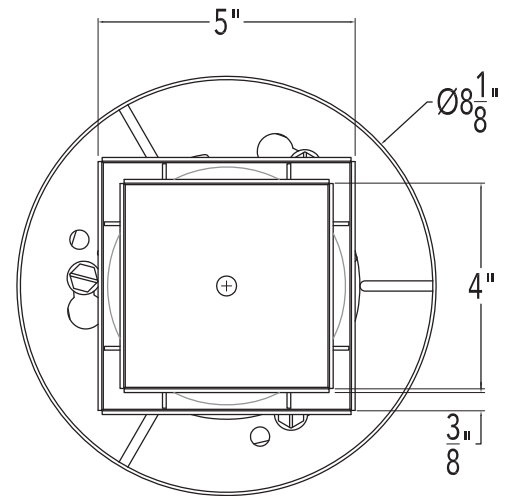
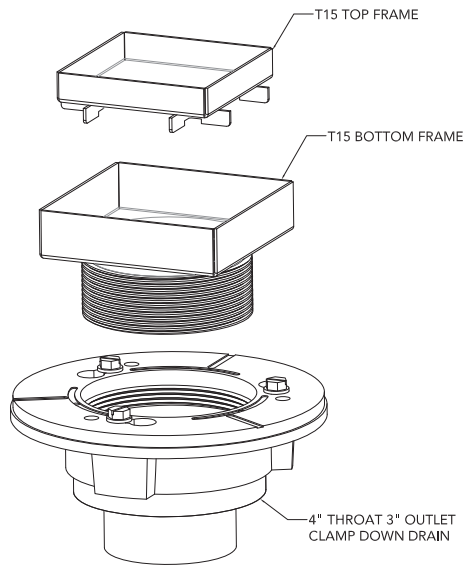
TD 15-3 stainless steel throat and decorative plate are made of 304L stainless steel. This material is non-porous, hygienic, rust-free and extremely durable. Bar Keepers Friend® and Soft Scrub® are commonly available products that can be used to protect and clean your Satin Stainless drain cover. For stains that have been left for an excessive amount of time, stronger cleaning agents such as Steel Brite® may be needed. For Polished Stainless and other finishes we recommend a mild soap and a soft cloth for cleaning. DO NOT use any abrasive cleaners, scrub pads or allow household cleaning agents, such as bleach, to sit on the drain cover for a long period of time. Stainless steel does not rust. External factors, such as contamination from other highly ferrous metals, built up road salt, sea salt, or chlorine may have caused "surface" rust which can be removed using Barkeepers Friend®, Soft Scrub® with Bleach, or Steel Brite®. Always follow the directions on the bottle. Follow proper maintenance procedures to prevent excessive surface rust. In areas of frequent exposure to salt, chlorine, and other chemical compounds, maintenance of the stainless grates should be performed at least 2-3 times per year.

Infinity Drain  
145 Dixon Avenue  
Amityville, NY 11701  
Phone: 516.767.6786  
Fax: 516.740.3066  
www.Infinity Drain.com



NOTE: Installer must verify all rough-in dimensions prior to installation and consult local and national codes. Conformity and compliance to local and national codes are the responsibility of the installer.

# TD 15-3 Specifications



## Components:

### TD 15-3I

- 5" x 5" Kit with Cast Iron Drain Body - No Hub Outlet (5" L x 5" W x 1" H) - Strainer
- 1 - T 15 A Drain Strainer - 4" Throat
- 1 - CDI 43 Clamp Down Drain Cast Iron
- 1 - HS 4 Hair Strainer
- 1 - DKEY Lift Out Key

### TD 15-3A

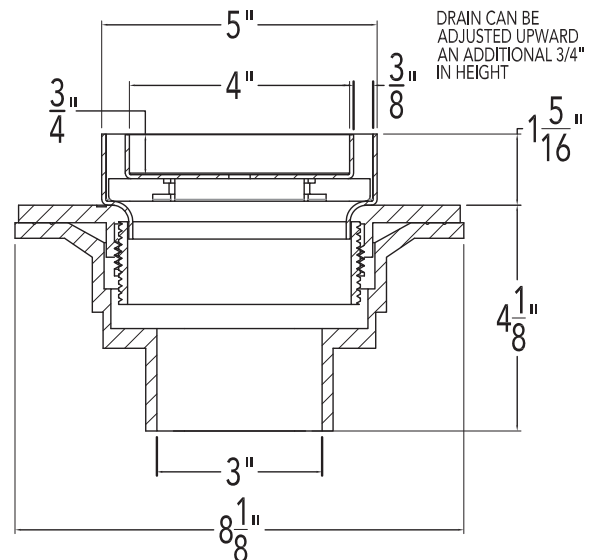
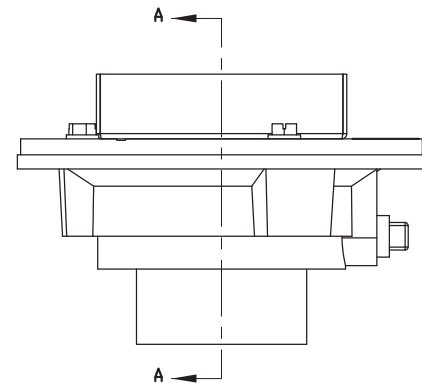
- 5" x 5" Kit with ABS Drain Body (5" L x 5" W x 1" H) - Strainer
- 1 - HS 4 Hair Strainer
- 1 - T 15 A Drain Strainer - 4" Throat
- 1 - CDA 43 Clamp Down Drain ABS
- 1 - DKEY Lift Out Key

### TD 15-3P

- 5" x 5" Kit with PVC Drain Body (5" L x 5" W x 1" H) - Strainer
- 1 - HS 4 Hair Strainer
- 1 - T 15 A Drain Strainer - 4" Throat
- 1 - CDP 43 Clamp Down Drain PVC
- 1 - DKEY Lift Out Key

## Finishes:

- Satin Stainless (SS)
- Polished Stainless (PS)
- Satin Bronze (SB)



SECTION A-A

Infinity Drain  
145 Dixon Avenue  
Amityville, NY 11701  
Phone: 516.767.6786  
Fax: 516.740.3066  
www.Infinity Drain.com



NOTE: Installer must verify all rough-in dimensions prior to installation and consult local and national codes. Conformity and compliance to local and national codes are the responsibility of the installer.