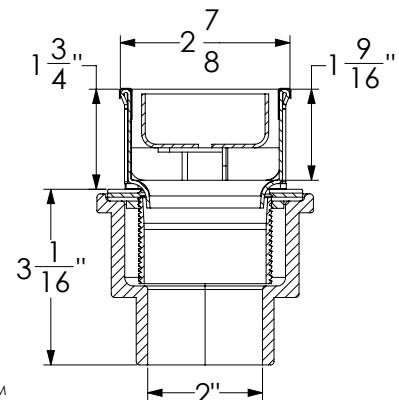
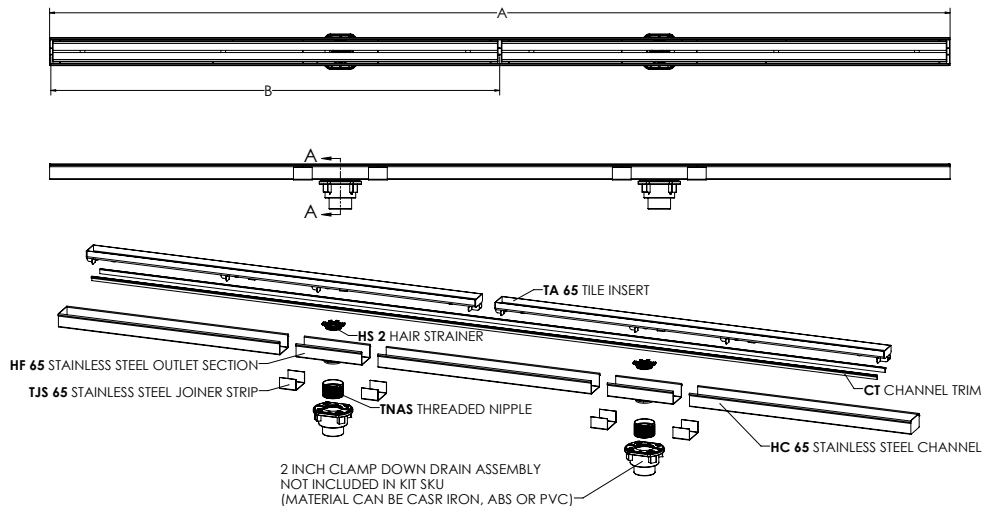


ID Infinity Drain

S-TIFAS 6580

S-TIFAS 6596



SECTION A-A

Model Number	Complete Kit Contents	A Maximum Overall Length	B Maximum Grate Length
S-TIFAS 6580	2 - TA 6540 Tile Insert Frame 1 - HC 6572 Stainless Steel Channel 2 - HF 65 8" Outlet Section Stainless Steel 4 - TJS 65 Stainless Steel Joiner Strip 2 - TNAS Threaded Nipple 1 - ZSIKA Sikaflex 1a Sealant 2 - HS 2 Hair Strainer 2 - CT 80 Channel Trim 1 - AKEY Lift Out Key	80"	39 7/8" (x 2)
S-TIFAS 6596	2 - TA 6548 Tile Insert Frame 1 - HC 6588 Stainless Steel Channel 2 - HF 65 8" Outlet Section Stainless Steel 4 - TJS 65 Stainless Steel Joiner Strip 2 - TNAS Threaded Nipple 1 - ZSIKA Sikaflex 1a Sealant 2 - HS 2 Hair Strainer 2 - CT 96 Channel Trim 1 - AKEY Lift Out Key	96"	47 7/8" (x 2)

Optional Components	
TNAS-2	2" Long Stainless Steel Rescue Nipple
TNAS-3	3" Long Stainless Steel Rescue Nipple
TNAS-4	4" Long Stainless Steel Rescue Nipple
TNRN-P	PVC Threaded Extension Nipple
UCP 2	Universal 2" Clamping Plate
UCP 42	Universal Reducing Plate (Adapts 4" or 3" existing throat size to 2")
Add Clamp Down Drain	
CDA 22	Clamp Down Drain ABS
CDI 22	Clamp Down Drain Cast Iron
CDP 22	Clamp Down Drain PVC

Available components for longer lengths			
TA 6540	40" Tile Insert Frame	TE 65	2" Stainless Steel End Section
TA 6548	48" Tile Insert Frame	TJS 65	Stainless Steel Joiner Strip
TA 6560	60" Tile Insert Frame	SHA 65	Stainless Steel 90° Angle Joiner
TC 6548	48" Stainless Open Ended Channel	HS 2	2" Hair Strainer
TC 6596	96" Stainless Open Ended Channel	HF 65	8" Stainless Steel Outlet Section
HC 6532	32" Stainless Closed Channel	TNAS	Stainless Steel Threaded Nipple
HC 6540	40" Stainless Closed Channel	CT 40	40" Channel Trim
HC 6552	52" Stainless Closed Channel	CT 48	48" Channel Trim
HC 6572	72" Stainless Closed Channel	CT 60	60" Channel Trim
HC 6588	88" Stainless Closed Channel	CT 80	80" Channel Trim
		CT 96	96" Channel Trim

Infinity Drain
145 Dixon Avenue
Amityville, NY 11701
Phone: 516.767.6786
Fax: 516.740.3066
www.Infinitydrain.com



NOTE: Installer must verify all rough-in dimensions prior to installation and consult local and national codes. Conformity and compliance to local and national codes are the responsibility of the installer.