

# ID Infinity Drain



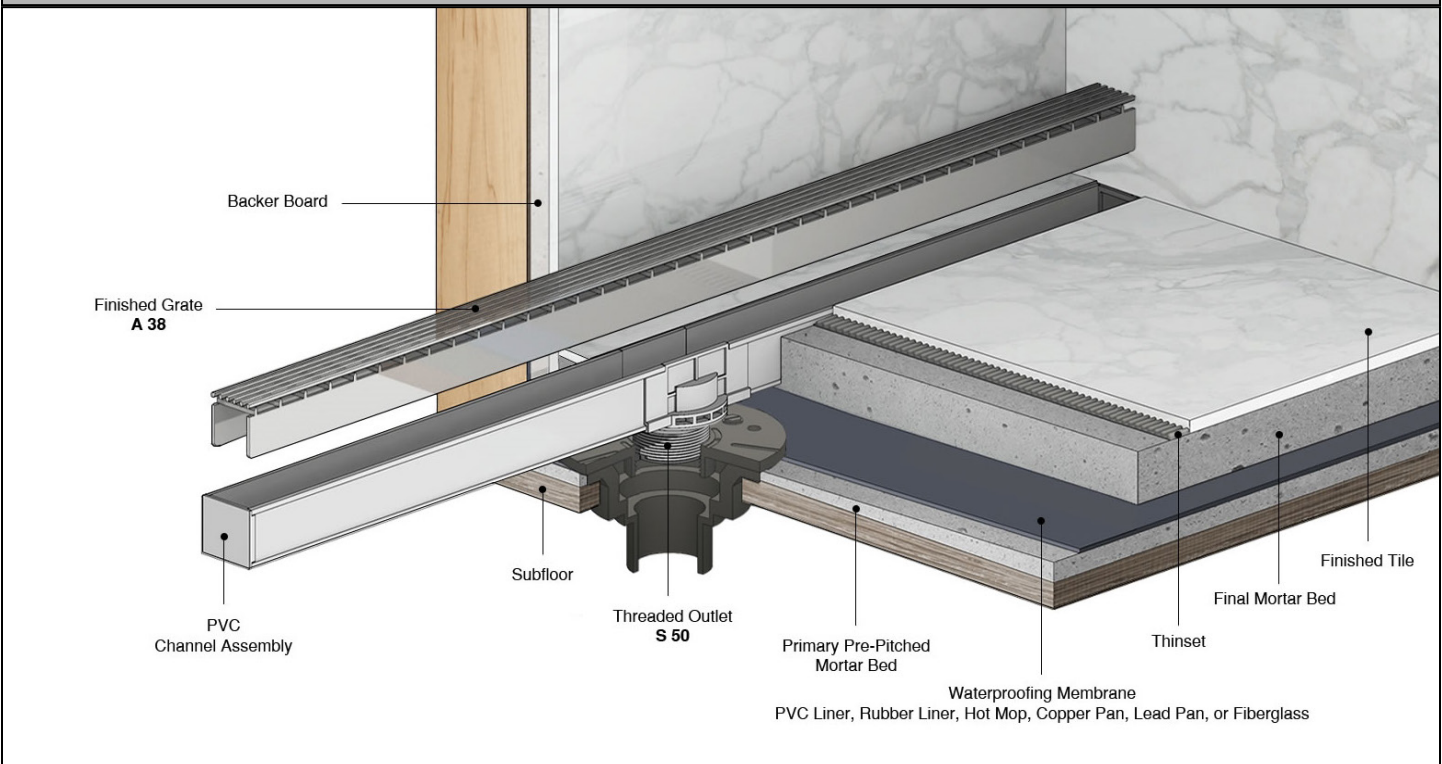
## S-AG 38 Site Sizable Series

- S-AG 3836 - 36" Complete Kit
- S-AG 3848 - 48" Complete Kit
- S-AG 3860 - 60" Complete Kit
- S-AG 3872 - 72" Complete Kit
- S-AG 3896 - 96" Complete Kit

### Features

- 12 gauge, 316L stainless steel Wedge Wire grate
- Modify length and outlet location on site
- Indoor or outdoor use
- PVC Channel
- Works with 2" clamp down floor with 2" throat/strainer size *(not included)*
- **NOT INTENDED** for installation across a barrier-free threshold
- Compatible with: PVC Liner, Rubber Liner (Chloraloy®), Hot Mop, Lead Pan, Copper Pan, or Fiberglass
- Flow rate - 9 gpm per outlet
  - Flow rate measured at outlet only. Measurement does not account for water in channel or sheeting on shower floor.
  - Additional outlets can be added and combined into a larger waste

### Installation



### Care & Maintenance

S-AG 38 stainless steel linear drain top grates are made of 316L stainless steel. This material is non-porous, hygienic, rust-free and extremely durable. Bar Keepers Friend® and Soft Scrub® are commonly available products that can be used to protect and clean your Satin Stainless drain cover. For stains that have been left for an excessive amount of time, stronger cleaning agents such as Compound 302® may be needed. For all finishes we recommend using mild soap and a soft cloth for cleaning. **DO NOT** use any abrasive cleaners, scrub pads or allow household cleaning agents, such as bleach, to sit on the drain cover for a long period of time. Stainless steel does not rust. External factors, such as contamination from other highly ferrous metals, built up road salt, sea salt, or chlorine may have caused "surface" rust which can be removed using Barkeepers Friend®, Soft Scrub®, or Steel Brite Cleaner. Always follow the directions on the bottle. Follow proper maintenance procedures to prevent excessive surface rust. In areas of frequent exposure to salt, chlorine, and other chemical compounds, maintenance of the stainless grates should be performed at least 2-3 times per year.

**Infinity Drain**  
145 Dixon Avenue  
Amityville, NY 11701  
Phone: 516.767.6786  
Fax: 516.740.3066  
www.Infinitydrain.com



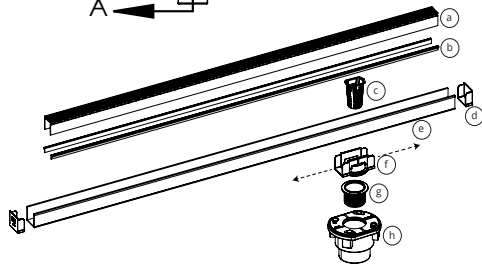
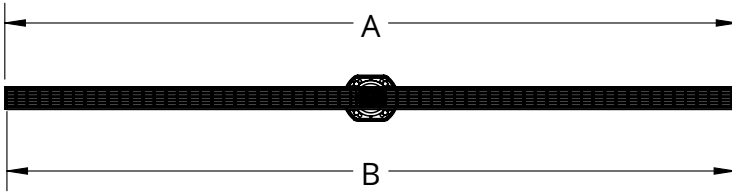
NOTE: Installer must verify all rough-in dimensions prior to installation and consult local and national codes. Conformity and compliance to local and national codes are the responsibility of the installer.

# ID Infinity Drain

S-AG 3836

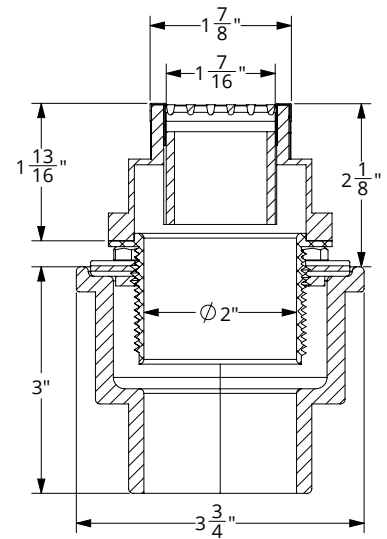
S-AG 3848

S-AG 3860



- (a) A 38 - Wedge Wire Grate
- (b) CT - Channel Trim
- (c) HB 32 - Hair Strainer
- (d) E 38 - PVC Stop End
- (e) G 38 - PVC Channel (ships as one piece)
- (f) S 32 - PVC Outlet Section
- (g) S 50 - PVC Threaded Outlet

(h) 2 inch clamp down drain assembly  
 Not included in kit SKU.  
 (Material can be Cast Iron, ABS, or PVC)



**SECTION A-A**

Model Number	Complete Kit Contents	A (Maximum Overall Length)WW	B (Maximum Grate Length)
S-AG 3836	1 - A 3836 Stainless Steel Grate 1 - G 3836 PVC Channel 1 - CS 3836 Channel Spacer 2 - E 38 PVC Stop Ends 1 - S 32 PVC Outlet Section 1 - S 50 PVC Threaded Outlet 1 - HMK-38-A: 1 HB 32 Hair Basket 1 AKEY Lift Out Key 2 - CT 36 Channel Trims	36"	35 7/8"
S-AG 3848	1 - A 3848 Stainless Steel Grate 1 - G 3848 PVC Channel 1 - CS 3848 Channel Spacer 2 - E 38 PVC Stop Ends 1 - S 32 PVC Outlet Section 1 - S 50 PVC Threaded Outlet 1 - HMK-38-A: 1 HB 32 Hair Basket 1 AKEY Lift Out Key 2 - CT 48 Channel Trims 1 - AKEY Lift Out Key	48"	47 7/8"
S-AG 3860	1 - A 3860 Stainless Steel Grate 1 - G 3860 PVC Channel 1 - CS 3860 Channel Spacer 2 - E 38 PVC Stop Ends 1 - S 32 PVC Outlet Section 1 - S 50 PVC Threaded Outlet 1 - HMK-38-A: 1 HB 32 Hair Basket 1 AKEY Lift Out Key 2 - CT 60 Channel Trims 1 - AKEY Lift Out Key	60"	59 7/8"

## Finishes

- Satin Stainless (SS)
- Polished Stainless (PS)
- Oil Rubbed Bronze (ORB)
- Satin Bronze (SB)
- Matte Black (BK)
- Satin Champagne (SC)
- Polished Gold (PG)
- Polished Brass (PB)
- Gunmetal (GM)
- Matte White (MW)

**Infinity Drain**  
 145 Dixon Avenue  
 Amityville, NY 11701  
 Phone: 516.767.6786  
 Fax: 516.740.3066  
 www.Infinitydrain.com

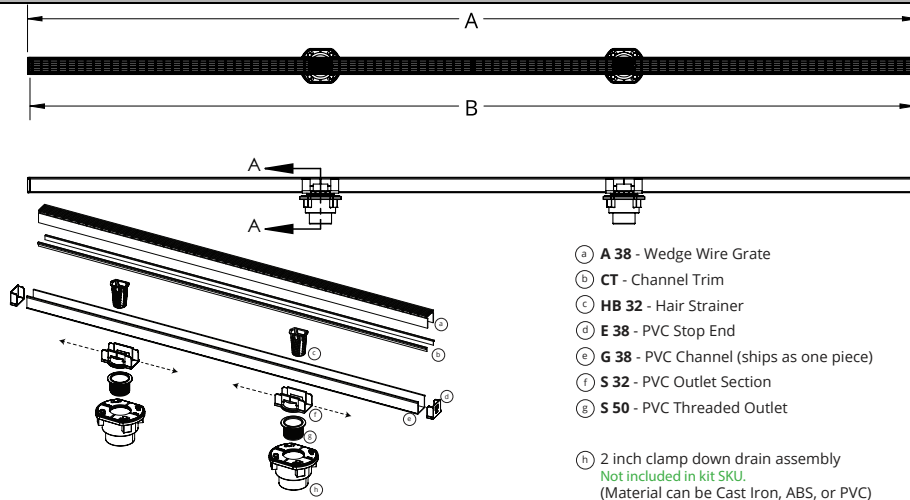


NOTE: Installer must verify all rough-in dimensions prior to installation and consult local and national codes. Conformity and compliance to local and national codes are the responsibility of the installer.

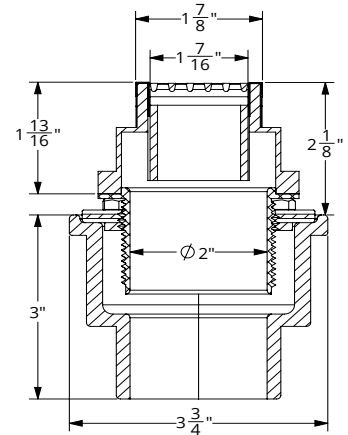
# ID Infinity Drain

## S-AG 3872

## S-AG 3896

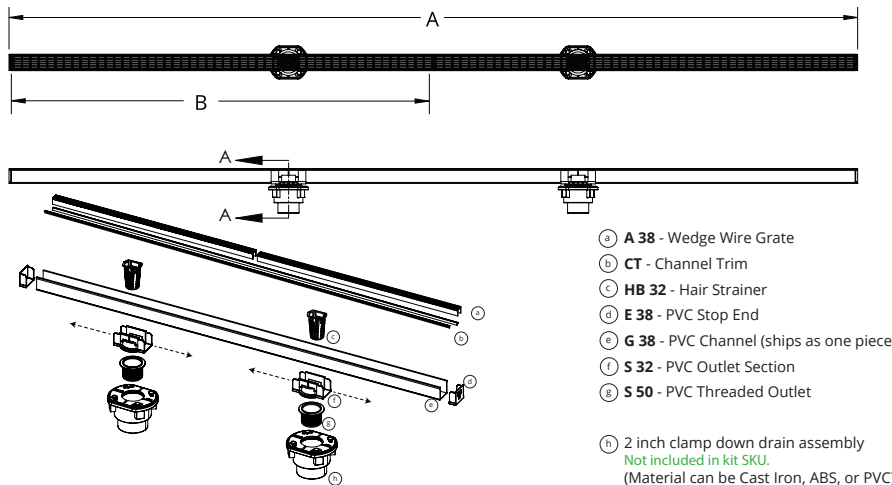


- Ⓐ A 38 - Wedge Wire Grate
- Ⓑ CT - Channel Trim
- Ⓒ HB 32 - Hair Strainer
- Ⓓ E 38 - PVC Stop End
- Ⓔ G 38 - PVC Channel (ships as one piece)
- Ⓕ S 32 - PVC Outlet Section
- Ⓖ S 50 - PVC Threaded Outlet
- Ⓗ 2 inch clamp down drain assembly  
Not included in kit SKU.  
(Material can be Cast Iron, ABS, or PVC)

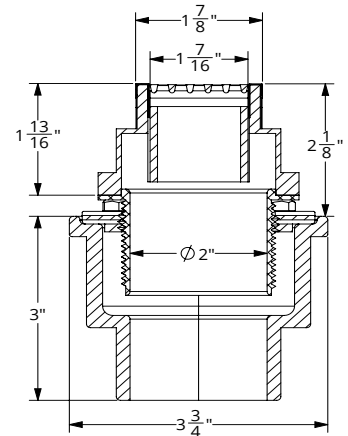


**SECTION A-A**

Model Number	Complete Kit Contents	A (Maximum Overall Length)	B (Maximum Grate Length)
S-AG 3872	1 - A 3872 Stainless Steel Grate 1 - G 3872 PVC Channel 1 - CS 3872 Channel Spacer 2 - E 38 PVC Stop Ends 2 - S 32 PVC Outlet Sections 2 - S 50 PVC Threaded Outlets 1 - HMK-38-2A: 2 HB 32 Hair Baskets 1 AKEY Lift Out Key 2 - CT 72 Channel Trims	72"	71 7/8"



- Ⓐ A 38 - Wedge Wire Grate
- Ⓑ CT - Channel Trim
- Ⓒ HB 32 - Hair Strainer
- Ⓓ E 38 - PVC Stop End
- Ⓔ G 38 - PVC Channel (ships as one piece)
- Ⓕ S 32 - PVC Outlet Section
- Ⓖ S 50 - PVC Threaded Outlet
- Ⓗ 2 inch clamp down drain assembly  
Not included in kit SKU.  
(Material can be Cast Iron, ABS, or PVC)



**SECTION A-A**

Model Number	Complete Kit Contents	A (Maximum Overall Length)	B (Maximum Grate Length)
S-AG 3896	2 - A 3848 Stainless Steel Grates 1 - G 3896 PVC Channel 1 - CS 3896 Channel Spacer 2 - E 38 PVC Stop Ends 2 - S 32 PVC Outlet Sections 2 - S 50 PVC Threaded Outlets 1 - HMK-38-2A: 2 HB 32 Hair Baskets 1 AKEY Lift Out Key 2 - CT 96 Channel Trims	96"	47 7/8" (x 2)

### Finishes

- Satin Stainless (SS)
- Polished Stainless (PS)
- Oil Rubbed Bronze (ORB)
- Satin Bronze (SB)
- Matte Black (BK)
- Satin Champagne (SC)
- Polished Gold (PG)
- Polished Brass (PB)
- Gunmetal (GM)
- Matte White (MW)

**Infinity Drain**  
 145 Dixon Avenue  
 Amityville, NY 11701  
 Phone: 516.767.6786  
 Fax: 516.740.3066  
 www.Infinitydrain.com



NOTE: Installer must verify all rough-in dimensions prior to installation and consult local and national codes. Conformity and compliance to local and national codes are the responsibility of the installer.

# ID Infinity Drain

## ADDITIONAL INFORMATION

### Threshold Installation

For threshold installs, we recommend the drain run exactly wall-to-wall to block any water from leaving the shower or wet area. We do not recommend thinner or tile-in type drains for threshold installations due to the lack of channel width needed to sufficiently catch the water.

Site Sizable models that are NOT recommended for Threshold Installation include:

S-AG 38, S-DG 38, S-TIFAS 65, S-TIF 65, S-TIFAS 99

### Against a Wall Installation

The (S) Site Sizeable and Fixed (FX) Series require a traditional clamping drain body for PVC Liner, Chloroloy, Lead Pan, Copper, Fiberglass, and Hot Mop type waterproofing. The diameter of the clamp down drain body creates a challenge for flush against the wall installations.

To properly achieve against the wall installations, it is recommended to build out the back wall with a double layer of wall board.

### Wall to Wall Installation

One way to ensure proper drainage is to install the linear drain from wall-to-wall. The Site Sizeable (S) Series is a flexible solution, which allows for "site sizing" the length of the drain by cutting the grate and channel to the exact finished wall-to-wall dimension. Infinity Drain's FX, FF, & FT series can be custom fabricated for the exact desired length and outlet location.

### Outlets

Site sizable products can be used in both indoor and outdoor applications. For indoor installations, we recommend one outlet for every 60" of drain. Our 72", 80", and 96" kits come standard with two outlet assemblies. Site Sizeable (S) Series can add additional outlet components to the kit. Outdoor installations: Outlet frequency is dependent on drain application and geographic location. Please contact us with questions regarding your specific installation.

Infinity Drain's Site Sizable (S) linear drains can be joined together to create infinite lengths for outdoor and indoor applications. We offer threaded and non-threaded outlets, 90° angle joiners, straight joiners, and custom fabrication.

### Hair and Maintenance Kit

HMK-38-A For Lengths up to 60"  
Kit Includes:  
1 - Hair and Maintenance Guide  
1 - HB 32 Hair Basket  
1 - AKEY Lift Out Key

HMK-38-2A For Lengths 60" and above  
Kit Includes:  
1 - Hair and Maintenance Guide  
2 - HB 32 Hair Baskets  
1 - AKEY Lift Out Key

### Add A Clamp Down Drain

CDA 22 ABS Clamp Down Drain Body Assembly  
CDI 22 Cast Iron Clamp Down Drain Body Assembly  
CDP 22 PVC Drain Clamp Down Body Assembly

### Available components for longer lengths

A 3836	36" Stainless Steel Grate	G 38108	108" PVC Channel
A 3848	48" Stainless Steel Grate	E 38	PVC Stop End
A 3860	60" Stainless Steel Grate	S 32	PVC Outlet Section
A 3872	72" Stainless Steel Grate	S 50	PVC Threaded Nipple
G 3836	36" PVC Channel	CT 36	36" Channel Trim
G 3848	48" PVC Channel	CT 48	48" Channel Trim
G 3860	60" PVC Channel	CT 60	60" Channel Trim
G 3872	72" PVC Channel	CT 72	72" Channel Trim
G 3896	96" PVC Channel		

NOTE: For indoor applications and outdoor applications where exposure to users without footwear is possible Channel trim (CT) is not recommended on drains over 96" or drains with configurations that include turns.

The installation of channel trim on site sizable linear drains that fall within the outlined conditions listed are at the judgement of the installer, independent of Infinity Drain, LTD.

### Optional Components

F 65 PVC Non-Threaded Outlet  
GJC 38 PVC Straight Joiner Strip  
GAM 38 PVC 90° Angle Joiner  
TNRN-P PVC Threaded Extension Nipple  
UCP 2 Universal 2" Clamping Plate  
UCP 4 Universal 4" Clamping Plate  
UCP 42 Universal Reducing Plate  
(Adapts 4" or 3" existing throat size to 2")

**Infinity Drain**  
145 Dixon Avenue  
Amityville, NY 11701  
Phone: 516.767.6786  
Fax: 516.740.3066  
www.Infinitydrain.com



NOTE: Installer must verify all rough-in dimensions prior to installation and consult local and national codes. Conformity and compliance to local and national codes are the responsibility of the installer.