

ID Infinity Drain



RTD 15-2 Series Center Drain Series

Complete Kits:

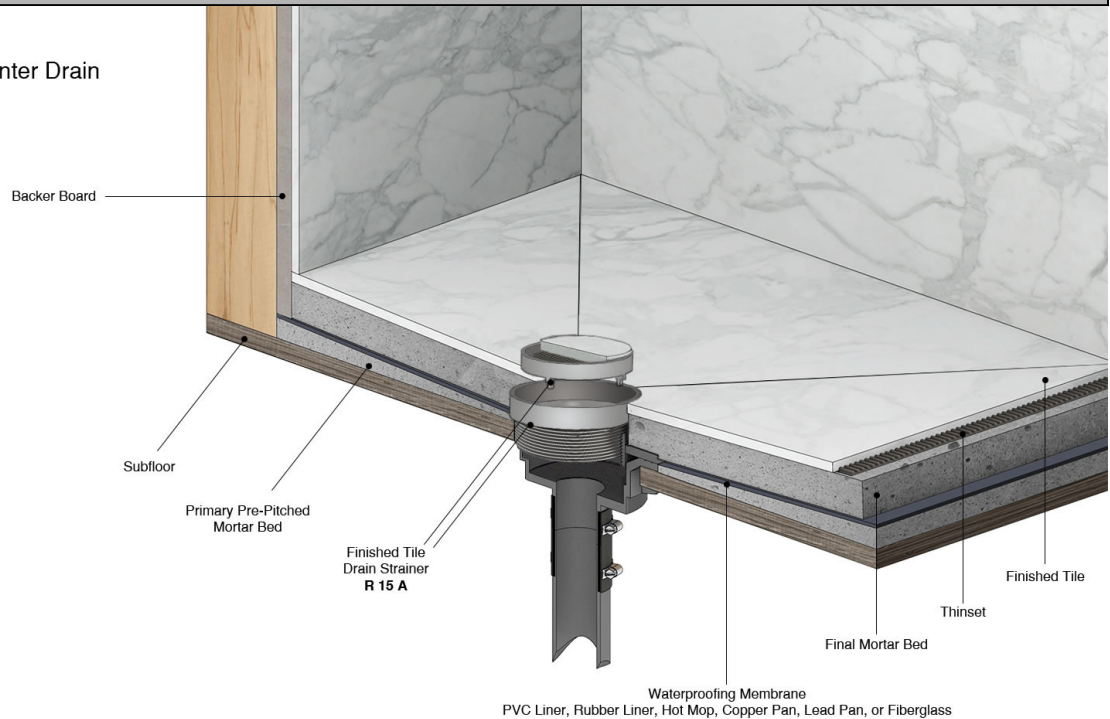
- RTD 15-2I
- RTD 15-2P
- RTD 15-2A

Features

- 1/4" drainage gap
- 3/4" deep inside frame for material
- Indoor outdoor use
- Grate can be removed completely for cleaning
- Requires traditional 4-way floor pitch
- Flow rate 9 GPM with 2" outlet

Installation

**TD Center Drain
RTD 15**



Care & Maintenance

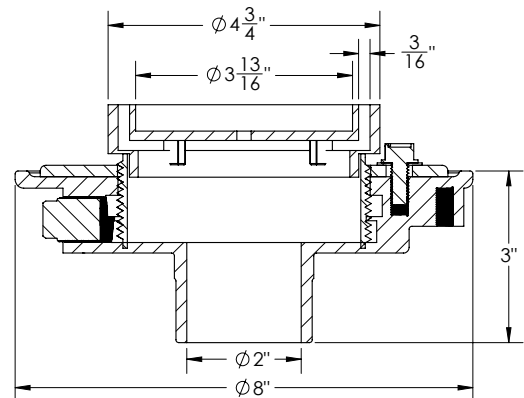
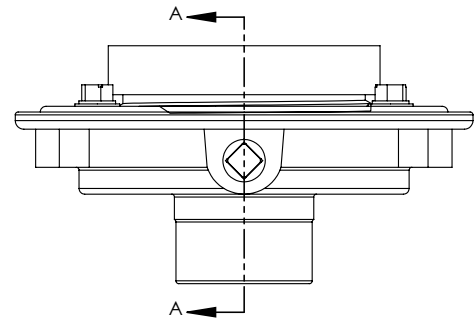
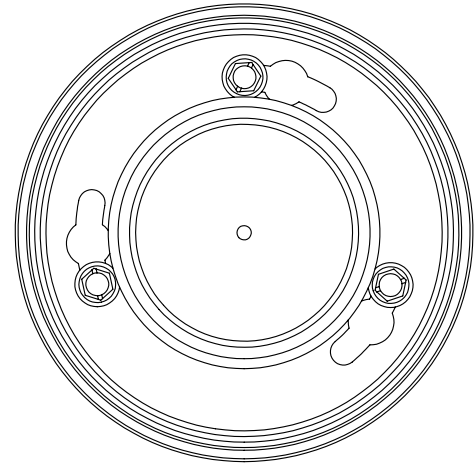
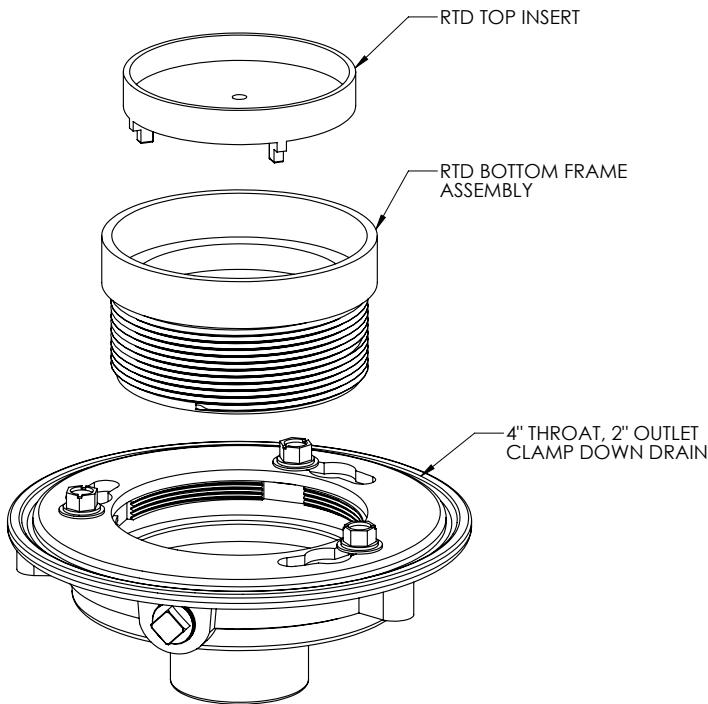
RTD 15-2 center drains are made of 304L stainless steel. This material is non-porous, hygienic, rust-free and extremely durable. Bar Keepers Friend® and Soft Scrub® are commonly available products that can be used to protect and clean your Satin Stainless drain cover. For stains that have been left for an excessive amount of time, stronger cleaning agents such as Compound 302® may be needed. For Polished Stainless and Oil Rubbed Bronze we recommend a mild soap and a soft cloth for cleaning. DO NOT use any abrasive cleaners, scrub pads or allow household cleaning agents, such as bleach, to sit on the drain cover for a long period of time. Stainless steel does not rust. External factors, such as contamination from other highly ferrous metals, built up road salt, sea salt, or chlorine may have caused "surface" rust which can be removed using Barkeepers Friend®, Soft Scrub® with Bleach, or Compound 302®. Always follow the directions on the bottle. Follow proper maintenance procedures to prevent excessive surface rust. In areas of frequent exposure to salt, chlorine, and other chemical compounds, maintenance of the stainless grates should be performed at least 2-3 times per year.

Infinity Drain
145 Dixon Avenue
Amityville, NY 11701
Phone: 516.767.6786
Fax: 516.740.3066
www.Infinitydrain.com



NOTE: Installer must verify all rough-in dimensions prior to installation and consult local and national codes. Conformity and compliance to local and national codes are the responsibility of the installer.

RTD 15-2 Specifications



RTD 15-2I

5" Round Kit with Cast Iron Drain Body No Hub Outlet

- (5" Diameter, 1" H) - Strainer
- 1 - RT 15 A Drain Strainer - 4" Throat
- 1 - CDI 42 Clamp Down Drain Cast Iron
- 1 - DKEY Lift Out Key
- 1 - HS 4, 4" Hair Strainer

RTD 15-2A

5" Round Kit with ABS Drain Body

- (5" L x 5" W x 1" H) - Strainer
- 1 - RT 15 A Drain Strainer - 4" Throat
- 1 - CDA 42 Clamp Down Drain ABS
- 1 - DKEY Lift Out Key
- 1 - HS 4, 4" Hair Strainer

RTD 15-2P

5" Round Kit with PVC Drain Body

- (5" L x 5" W x 1" H) - Strainer
- 1 - RT 15 A Drain Strainer - 4" Throat
- 1 - CDP 42 Clamp Down Drain PVC
- 1 - DKEY Lift Out Key
- 1 - HS 4, 4" Hair Strainer

Finishes:

- ___ Satin Stainless
- ___ Polished Stainless
- ___ Oil Rubbed Bronze
- ___ Satin Bronze

Infinity Drain

145 Dixon Avenue
Amityville, NY 11701
Phone: 516.767.6786
Fax: 516.740.3066
www.infinitydrain.com



Note: Installer must verify all rough-in dimensions prior to installation and consult local and national codes. Conformity and compliance to local and national codes are the responsibility of the installer.