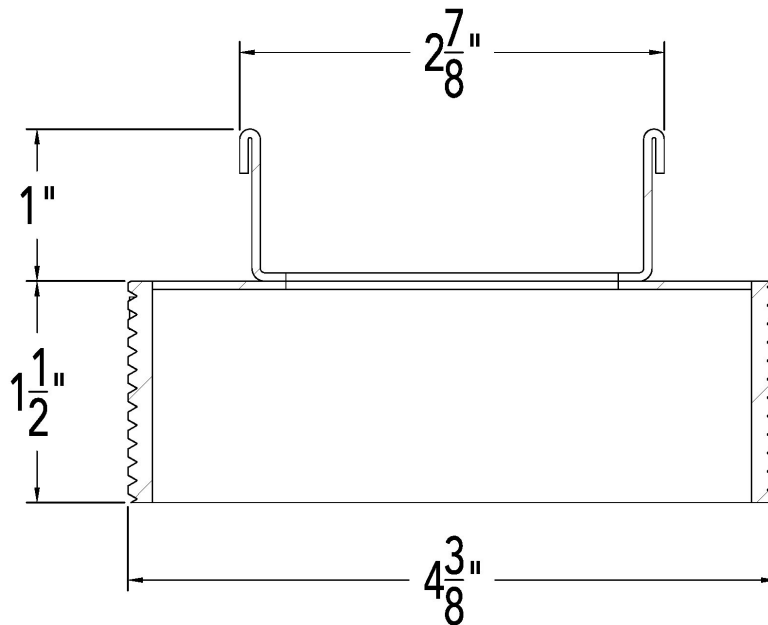
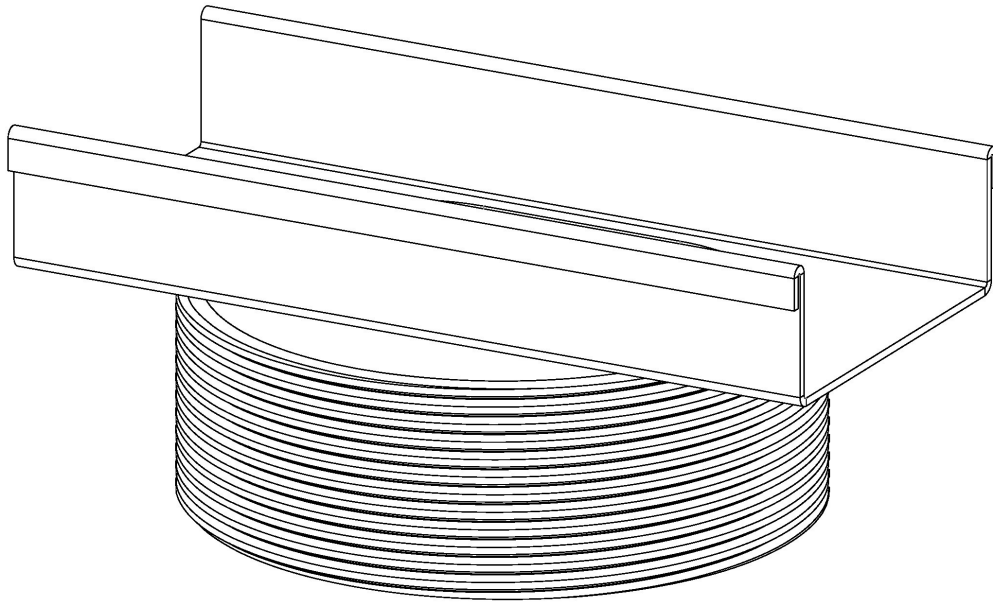


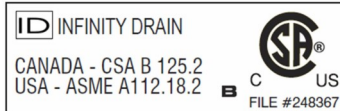
LF 99 Specifications



8" Stainless steel outlet assembly for
S-DGAS/AS 99 Series w/ 4" threaded nipple attached

Infinity Drain

18 Secatoag Avenue
Port Washington, NY 11050
Phone: 516.767.6786
Fax: 516.740.3066
www.InfinityDrain.com



Note: Installer must verify all rough-in dimensions prior to installation and consult local and national codes. Conformity and compliance to local and national codes are the responsibility of the installer.