

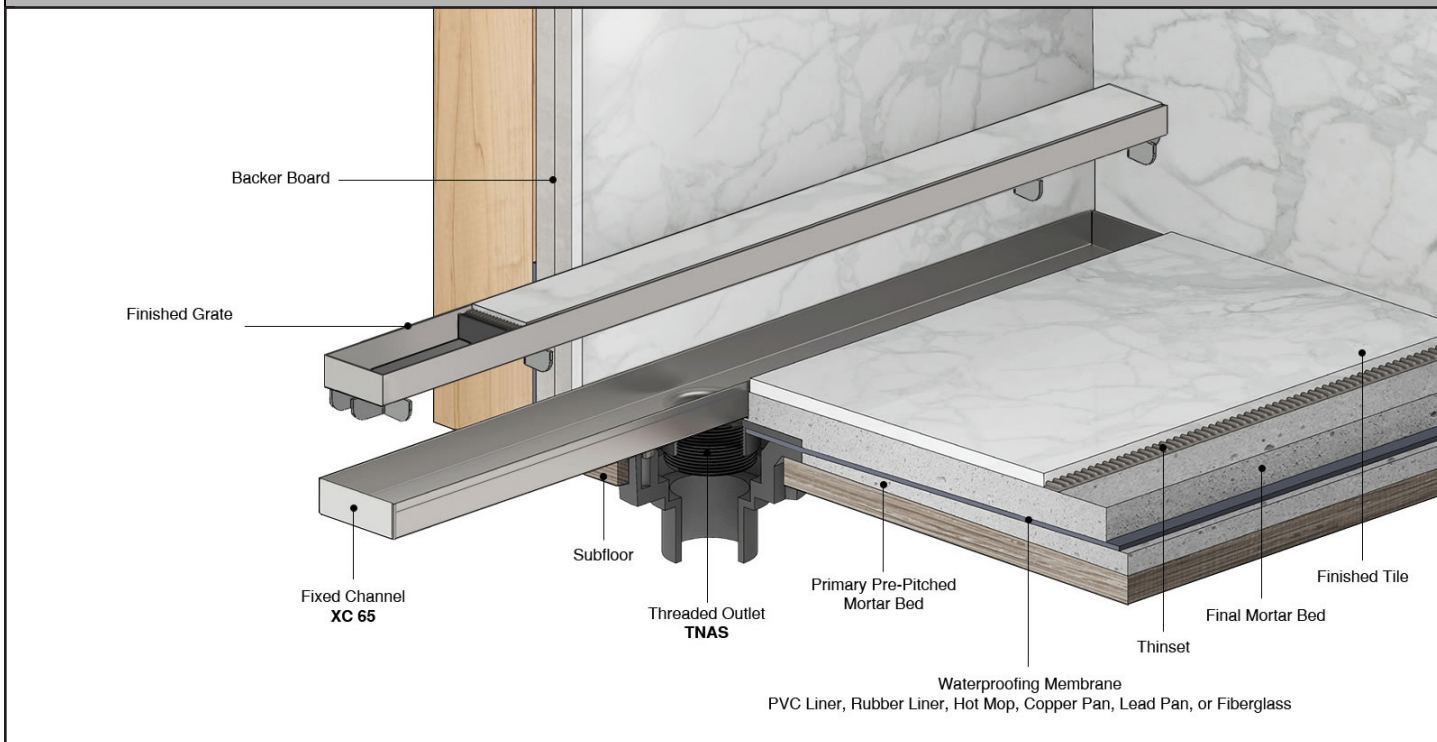
FXTIF 65 Series FIXED LENGTH CHANNEL

- FXTIF 6520 - 20" Complete Kit
- FXTIF 6540 - 40" Complete Kit
- FXTIF 6548 - 48" Complete Kit
- FXTIF 6560 - 60" Complete Kit

Features

- Pre-pitched channel with fixed lengths and fixed center outlet
- Indoor or outdoor use
- 16 gauge, 304L stainless steel channel
- 12 gauge, 304L stainless steel Tile Insert Frame
- Works with 2" clamp down floor with 2" throat/strainer size *(NOT included)*
- Compatible with: PVC Liner, Rubber Liner (Chloraloy®), Hot Mop, Lead Pan, Copper Pan, or Fiberglass
- Grate can be removed completely for cleaning
- Flow rate - 9 gpm per outlet
 - Flow rate measured at outlet only. Measurement does not account for water in channel or sheeting on shower floor.

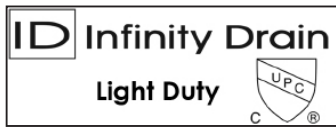
Installation



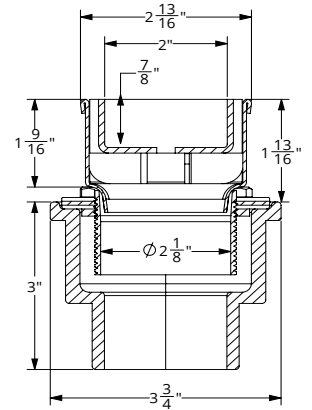
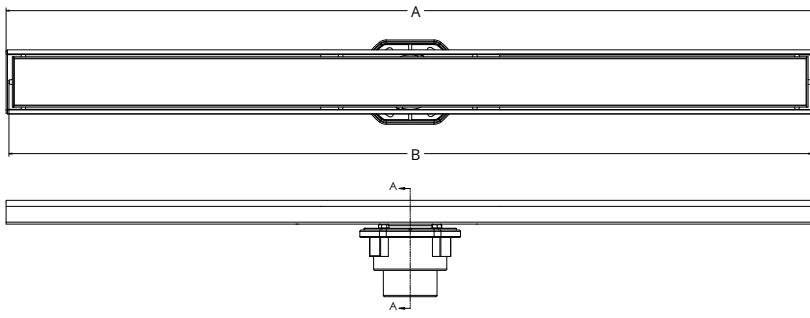
Care & Maintenance

FXTIF 65 stainless steel linear drain top grates are made of 304L stainless steel. This material is non-porous, hygienic, rust-free and extremely durable. Bar Keepers Friend® and Soft Scrub® are commonly available products that can be used to protect and clean your Satin Stainless drain cover. For stains that have been left for an excessive amount of time, stronger cleaning agents such as Steel Brite® may be needed. For all finishes we recommend using mild soap and a soft cloth for cleaning. DO NOT use any abrasive cleaners, scrub pads or allow household cleaning agents, such as bleach, to sit on the drain cover for a long period of time. Stainless steel does not rust. External factors, such as contamination from other highly ferrous metals, built up road salt, sea salt, or chlorine may have caused "surface" rust which can be removed using Barkeepers Friend®, Soft Scrub®, or Steel Brite Cleaner. Always follow the directions on the bottle. Follow proper maintenance procedures to prevent excessive surface rust. In areas of frequent exposure to salt, chlorine, and other chemical compounds, maintenance of the stainless grates should be performed at least 2-3 times per year.

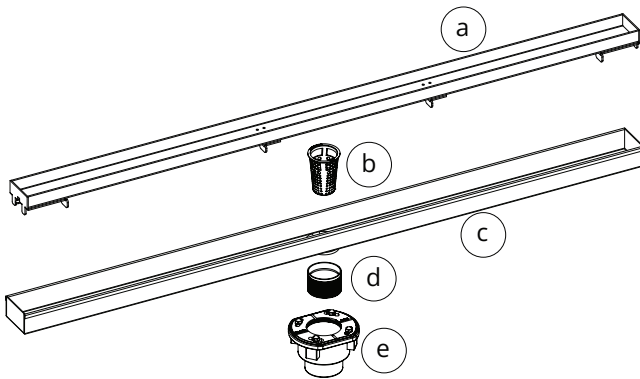
Infinity Drain
145 Dixon Avenue
Amityville, NY 11701
Phone: 516.767.6786
Fax: 516.740.3066
www.Infinitydrain.com



NOTE: Installer must verify all rough-in dimensions prior to installation and consult local and national codes. Conformity and compliance to local and national codes are the responsibility of the installer.



SECTION A-A



- (a) TA 65 - Stainless Steel Tile Insert Assembly
- (b) HB 65 - Hair Basket
- (c) IC 65 - Stainless Steel Channel
- (d) TNAS - Threaded Nipple
- (e) 2 inch clamp down drain assembly
Not included in kit SKU.
(Material can be Cast Iron, ABS, or PVC)

Model Number	Complete Kit Contents	A (Maximum Overall Length)	B (Maximum Grate Length)
<input type="checkbox"/> FXTIF 6520	1 - TA 6520 Tile Insert Frame 1 - IC 6520 Fixed Channel 1 - TNAS Threaded Nipple 1 - HMK-65-A: 1 HB 65 Hair Basket 1 AKEY Lift Out Key	20 1/8"	19 7/8"
<input type="checkbox"/> FXTIF 6540	1 - TA 6540 Tile Insert Frame 1 - IC 6540 Fixed Channel 1 - TNAS Threaded Nipple 1 - HMK-65-A: 1 HB 65 Hair Basket 1 AKEY Lift Out Key	40 1/8"	39 7/8"
<input type="checkbox"/> FXTIF 6548	1 - TA 6548 Tile Insert Frame 1 - IC 6548 Fixed Channel 1 - TNAS Threaded Nipple 1 - HMK-65-A: 1 HB 65 Hair Basket 1 AKEY Lift Out Key	48 1/8"	47 7/8"
<input type="checkbox"/> FXTIF 6560	1 - TA 6560 Tile Insert Frame 1 - IC 6560 Fixed Channel 1 - TNAS Threaded Nipple 1 - HMK-65-A: 1 HB 65 Hair Basket 1 AKEY Lift Out Key	60 1/8"	59 7/8"

Finishes

- Satin Stainless (SS) Polished Stainless (PS) Oil Rubbed Bronze (ORB) Satin Bronze (SB) Matte Black (BK)

Infinity Drain
145 Dixon Avenue
Amityville, NY 11701
Phone: 516.767.6786
Fax: 516.740.3066
www.Infinitydrain.com



NOTE: Installer must verify all rough-in dimensions prior to installation and consult local and national codes. Conformity and compliance to local and national codes are the responsibility of the installer.