



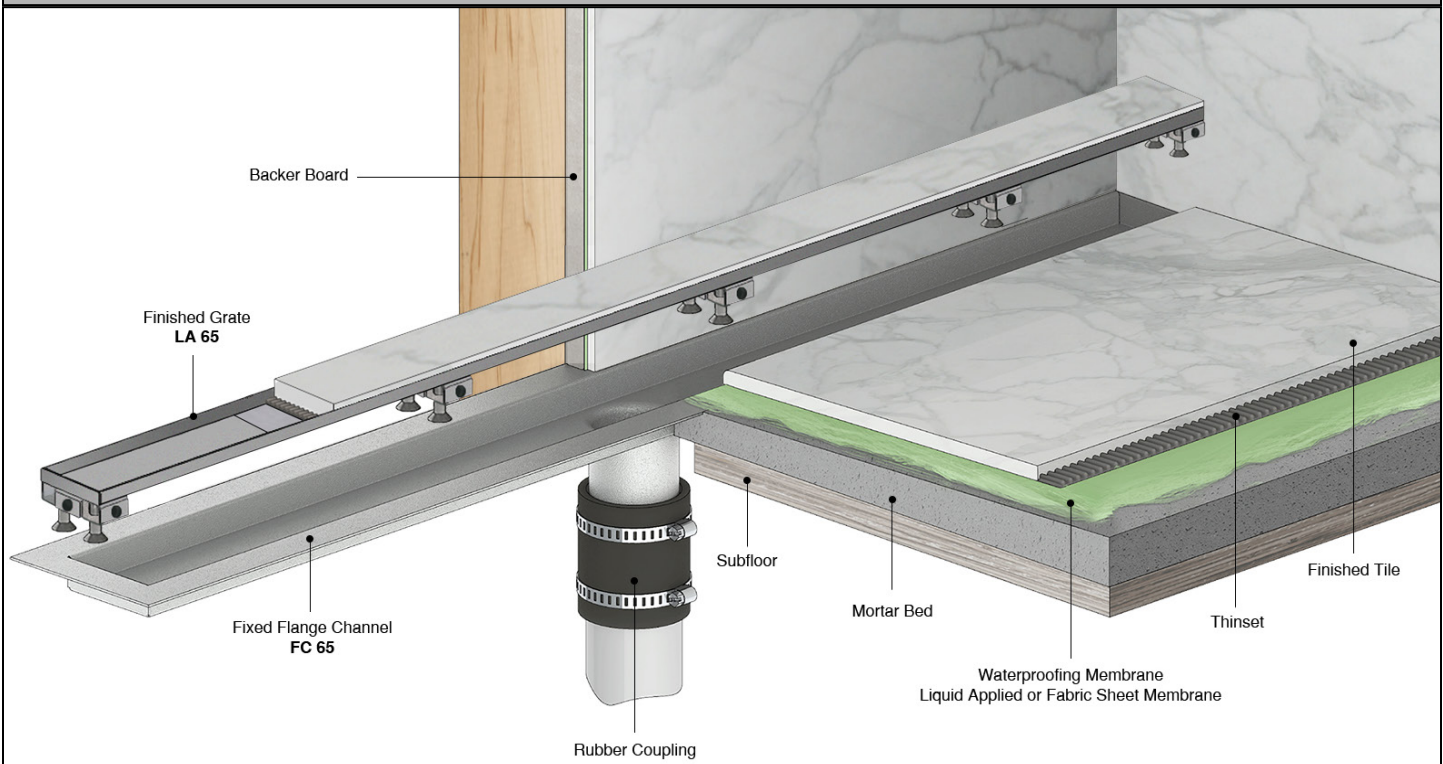
## FFTIF 65 Fixed Flange Series

- FFTIF 6524 - 24" Complete Kit
- FFTIF 6532 - 32" Complete Kit
- FFTIF 6536 - 36" Complete Kit
- FFTIF 6542 - 42" Complete Kit
- FFTIF 6548 - 48" Complete Kit
- FFTIF 6560 - 60" Complete Kit

### Features

- Fixed flange with centered outlet location
- Indoor or outdoor use
- 16 gauge, 304L stainless steel tile insert frame and channel
- Pre - pitched channel
- Grate can be removed for cleaning
- NOT Site Sizable®
- Compatible with: liquid applied or fabric sheet membranes
- Flow rate - 9 gpm per outlet
  - Flow rate measured at outlet only. Measurement does not account for water in channel or sheeting on shower floor.
  - Additional outlets can be added and combined into a larger waste line to increase flow rates

### Installation



### Care & Maintenance

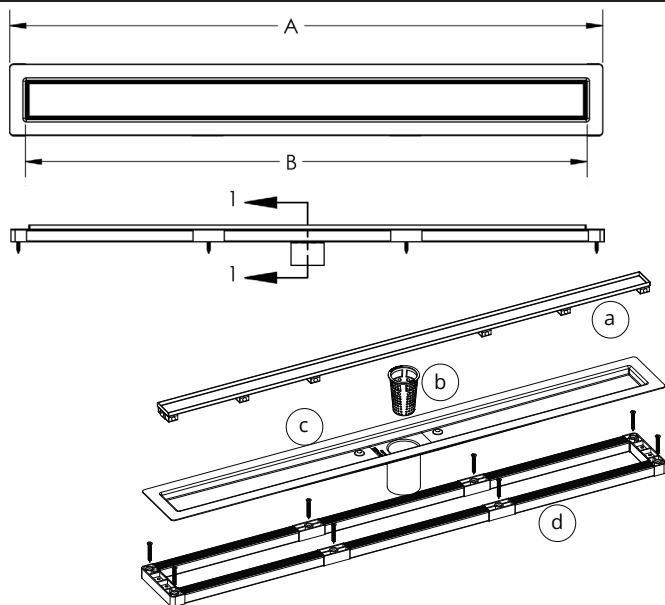
FFTIF 65 stainless steel linear drain top grates are made of 304L stainless steel. This material is non-porous, hygienic, rust-free and extremely durable. Bar Keepers Friend® and Soft Scrub® are commonly available products that can be used to protect and clean your Satin Stainless drain cover. For stains that have been left for an excessive amount of time, stronger cleaning agents such as Steel Brite® may be needed. For all finishes we recommend using mild soap and a soft cloth for cleaning. DO NOT use any abrasive cleaners, scrub pads or allow household cleaning agents, such as bleach, to sit on the drain cover for a long period of time. Stainless steel does not rust. External factors, such as contamination from other highly ferrous metals, built up road salt, sea salt, or chlorine may have caused "surface" rust which can be removed using Barkeepers Friend®, Soft Scrub®, or Steel Brite Cleaner. Always follow the directions on the bottle. Follow proper maintenance procedures to prevent excessive surface rust. In areas of frequent exposure to salt, chlorine, and other chemical compounds, maintenance of the stainless grates should be performed at least 2-3 times per year.

**Infinity Drain**  
145 Dixon Avenue  
Amityville, NY 11701  
Phone: 516.767.6786  
Fax: 516.740.3066  
www.infinitydrain.com

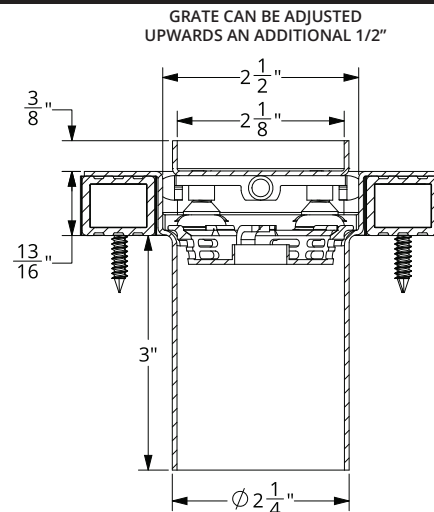


NOTE: Installer must verify all rough-in dimensions prior to installation and consult local and national codes. Conformity and compliance to local and national codes are the responsibility of the installer.

# ID Infinity Drain®



- Ⓐ LA 65 - Stainless Steel Tile Insert
- Ⓑ HB 65 - Hair Basket
- Ⓒ FC 65 - Stainless Steel Channel
- Ⓓ ABS Channel Support



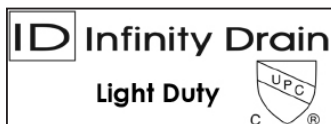
## SECTION 1-1

| Model Number                        | Complete Kit Contents  |   | A<br>(Maximum Overall Length) | B<br>(Maximum Grate Length) |
|-------------------------------------|--|---|-------------------------------|-----------------------------|
| <input type="checkbox"/> FFTIF 6524 | 1 - LA 6524 Tile Insert Frame<br>1 - FC 6524 Fixed Flange Channel<br>1 - ABS Channel Support | 1 - HMK-65-A:<br>1 HB 65 Hair Basket<br>1 AKEY Lift Out Key | 26 1/8"                       | 23 7/8"                     |
| <input type="checkbox"/> FFTIF 6532 | 1 - LA 6532 Tile Insert Frame<br>1 - FC 6532 Fixed Flange Channel<br>1 - ABS Channel Support | 1 - HMK-65-A:<br>1 HB 65 Hair Basket<br>1 AKEY Lift Out Key | 34 1/8"                       | 31 7/8"                     |
| <input type="checkbox"/> FFTIF 6536 | 1 - LA 6536 Tile Insert Frame<br>1 - FC 6536 Fixed Flange Channel<br>1 - ABS Channel Support | 1 - HMK-65-A:<br>1 HB 65 Hair Basket<br>1 AKEY Lift Out Key | 38 1/8"                       | 35 7/8"                     |
| <input type="checkbox"/> FFTIF 6542 | 1 - LA 6542 Tile Insert Frame<br>1 - FC 6542 Fixed Flange Channel<br>1 - ABS Channel Support | 1 - HMK-65-A:<br>1 HB 65 Hair Basket<br>1 AKEY Lift Out Key | 44 1/8"                       | 41 7/8"                     |
| <input type="checkbox"/> FFTIF 6548 | 1 - LA 6548 Tile Insert Frame<br>1 - FC 6548 Fixed Flange Channel<br>1 - ABS Channel Support | 1 - HMK-65-A:<br>1 HB 65 Hair Basket<br>1 AKEY Lift Out Key | 50 1/8"                       | 47 7/8"                     |
| <input type="checkbox"/> FFTIF 6560 | 1 - LA 6560 Tile Insert Frame<br>1 - FC 6560 Fixed Flange Channel<br>1 - ABS Channel Support | 1 - HMK-65-A:<br>1 HB 65 Hair Basket<br>1 AKEY Lift Out Key | 62 1/8"                       | 59 7/8"                     |

### Finishes

- Satin Stainless (SS)
- Polished Stainless (PS)
- Oil Rubbed Bronze (ORB)
- Satin Bronze (SB)
- Matte Black (BK)
- Satin Champagne (SC)
- Polished Gold (PG)
- Polished Brass (PB)
- Gunmetal (GM)
- Matte White (MW)

**Infinity Drain**  
145 Dixon Avenue  
Amityville, NY 11701  
Phone: 516.767.6786  
Fax: 516.740.3066  
www.infinitydrain.com



NOTE: Installer must verify all rough-in dimensions prior to installation and consult local and national codes. Conformity and compliance to local and national codes are the responsibility of the installer.

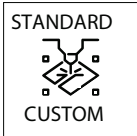
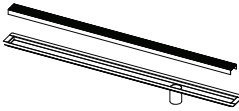
## CUSTOM FIXED FLANGE SERIES DRAINS

If you can imagine it, we can manufacture it. Infinity Drain® offers a variety of customized drainage solutions to your exact specification. Customize length, outlets, configuration, styles, and finishes.



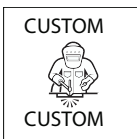
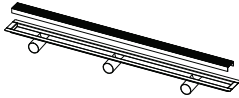
### **NEW** Next Day Custom

- Purchase orders and sign offs received by 10am ET will ship the following day
- Completed custom form must accompany purchase order
- Straight configuration and custom lengths up to 96"
- Grate Styles: Wedge Wire, Offset Slotted, Tile Insert Frame
- Installation types: Fixed Flange (FF), Flanged with Schluter® - Kerdi (FCS), and Double Waterproofing (FCB)
- Custom outlet placement for multiple outlets
- Finishes: Satin Stainless, Polished Stainless, Oil Rubbed Bronze, Satin Bronze and Matte Black



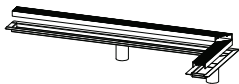
### Standard Custom

- Purchase orders and sign offs received by 10am ET will ship within 15 business days
- Completed custom form must accompany purchase order
- Straight configuration and custom lengths up to 96"
- Any standard grate style options
- Installation types: Fixed Flange (FF), Flanged with Schluter® - Kerdi (FCS), and Double Waterproofing (FCB)
- Custom outlet placement for multiple outlets
- Finishes: Satin Stainless, Polished Stainless, Oil Rubbed Bronze, Satin Bronze and Matte Black



### Custom-Custom

- Specialty installation options (Sink drain, Elevator drain, Threshold drain, Vinyl Clamp drain, etc.)
- Any shape and configuration
- Any installation type
- Any outlet type
- Any finish. Standard finishes and color match finish options available.



**[CLICK HERE - TO LEARN MORE ABOUT CUSTOM FABRICATION](#)**

For additional information regarding Custom Fabrication, Please contact Technical Support at [info@infinitydrain.com](mailto:info@infinitydrain.com)