

TA 65 Specifications

TA 65:

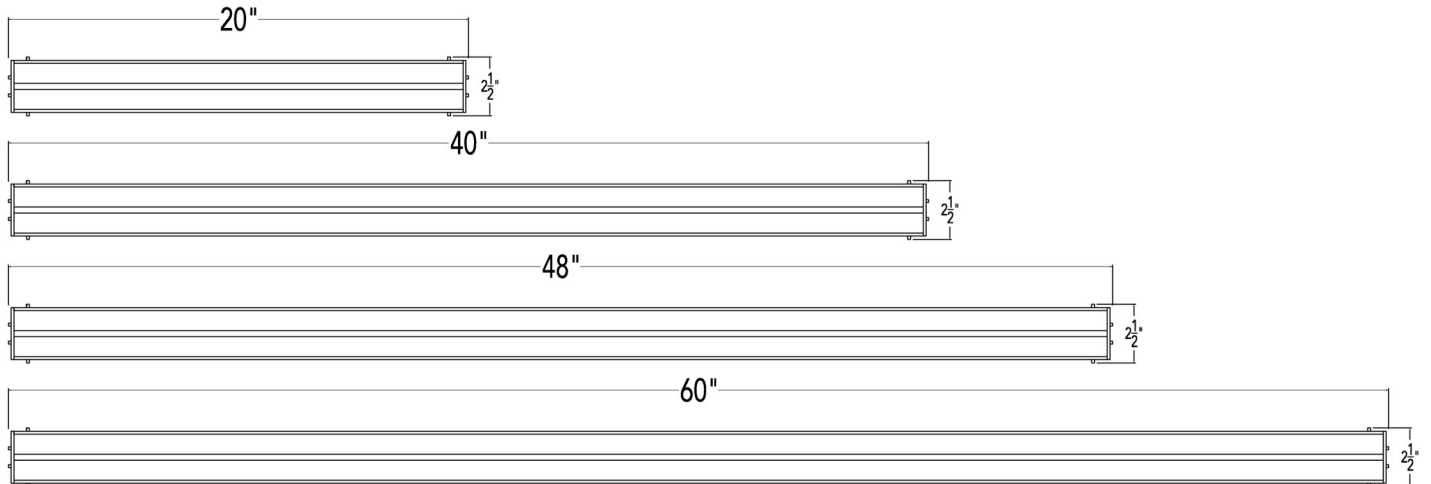
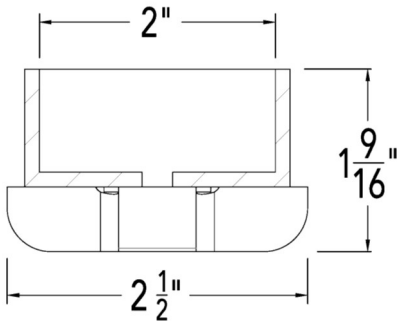
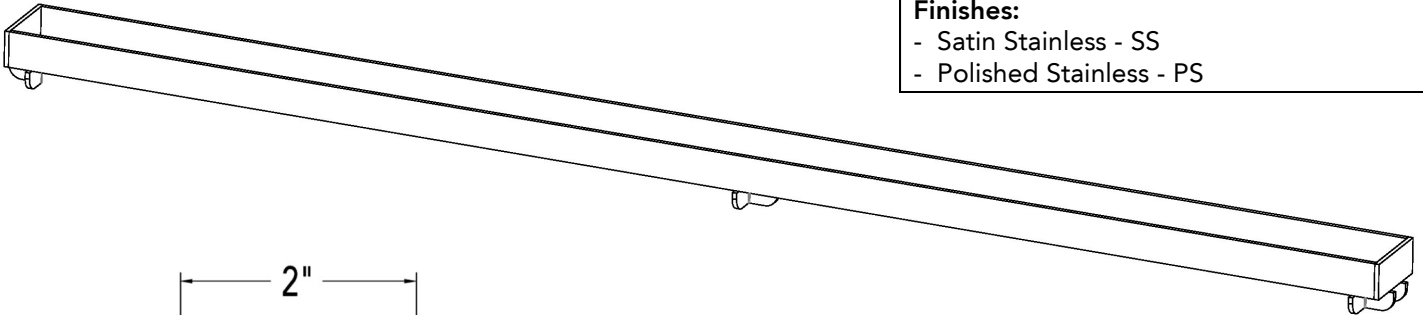
- Tile insert frame for S-TIF 65, S-TIFAS 65, S-TIFAS 99, FXTIF 65, TD 50
- 12 gauge, 316 stainless steel
- Accepts flooring material up to 3/4" in thickness

Models (overall dimension):

- TA 6520: 19-7/8" L x 2-1/2" W x 1-9/16" H
- TA 6540: 39-7/8" L x 2-1/2" W x 1-9/16" H
- TA 6548: 47-7/8" L x 2-1/2" W x 1-9/16" H
- TA 6560: 59-7/8" L x 2-1/2" W x 1-9/16" H

Finishes:

- Satin Stainless - SS
- Polished Stainless - PS



Note: Installer must verify all rough-in dimensions prior to installation and consult local and national codes. Conformity and compliance to local and national codes are the responsibility of the installer.

Infinity Drain
 18 Secatoag Avenue
 Port Washington, NY 11050
 Phone: 516.767.6786
 Fax: 516.740.3066
 www.InfinityDrain.com

