

DA 25 Specifications



DA 25:

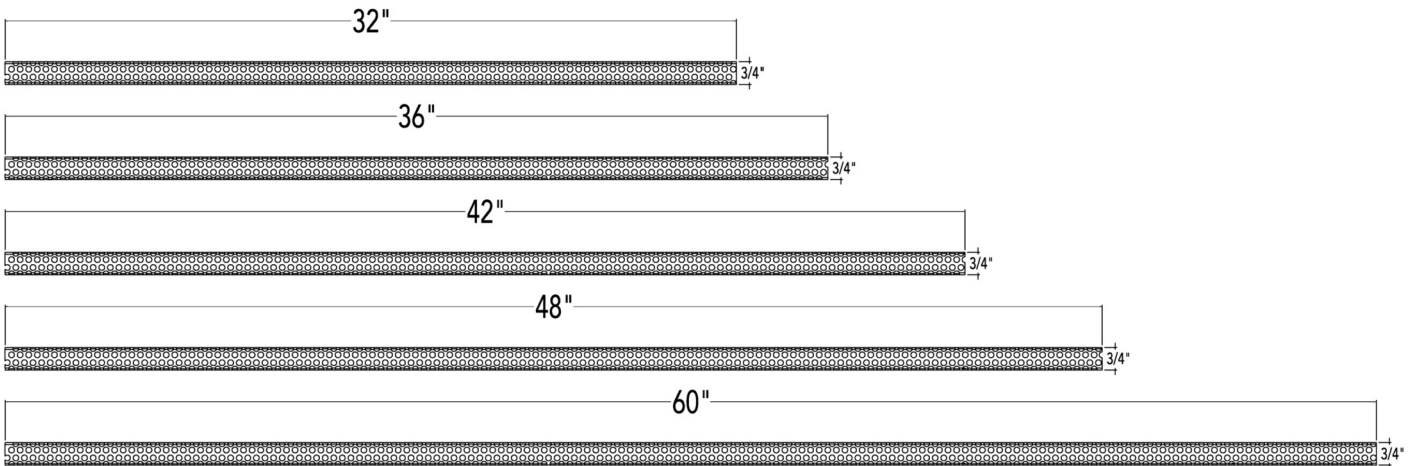
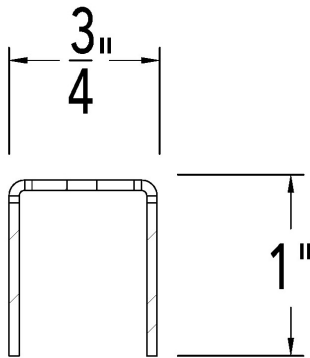
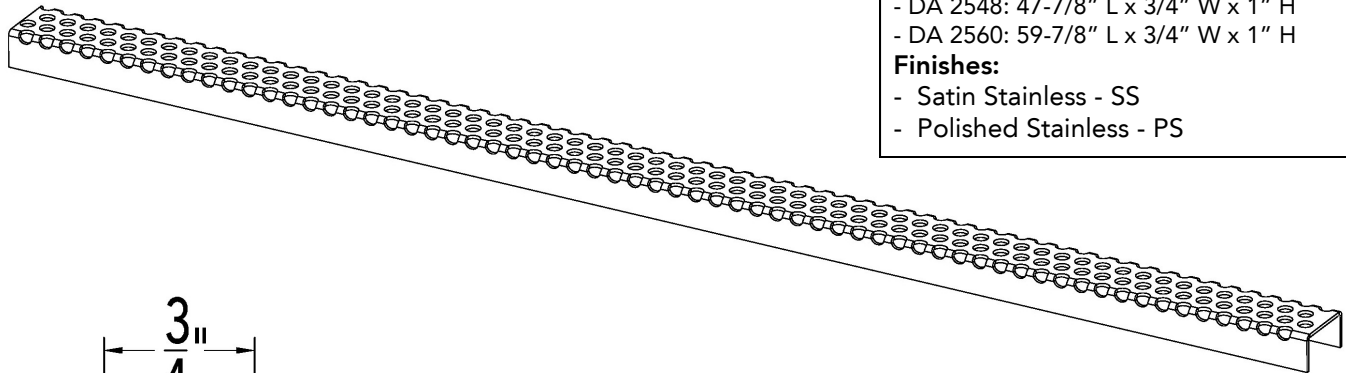
- Circular perforated grate for FFDG 25, FTDG 25
- 16 gauge, 304 stainless steel

Models (overall dimension):

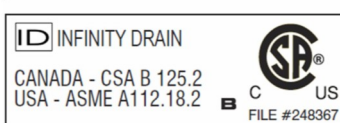
- DA 2532: 31-7/8" L x 3/4" W x 1" H
- DA 2536: 35-7/8" L x 3/4" W x 1" H
- DA 2542: 41-7/8" L x 3/4" W x 1" H
- DA 2548: 47-7/8" L x 3/4" W x 1" H
- DA 2560: 59-7/8" L x 3/4" W x 1" H

Finishes:

- Satin Stainless - SS
- Polished Stainless - PS



Infinity Drain
 18 Secatoag Avenue
 Port Washington, NY 11050
 Phone: 516.767.6786
 Fax: 516.740.3066
 www.InfinityDrain.com



Note: Installer must verify all rough-in dimensions prior to installation and consult local and national codes. Conformity and compliance to local and national codes are the responsibility of the installer.