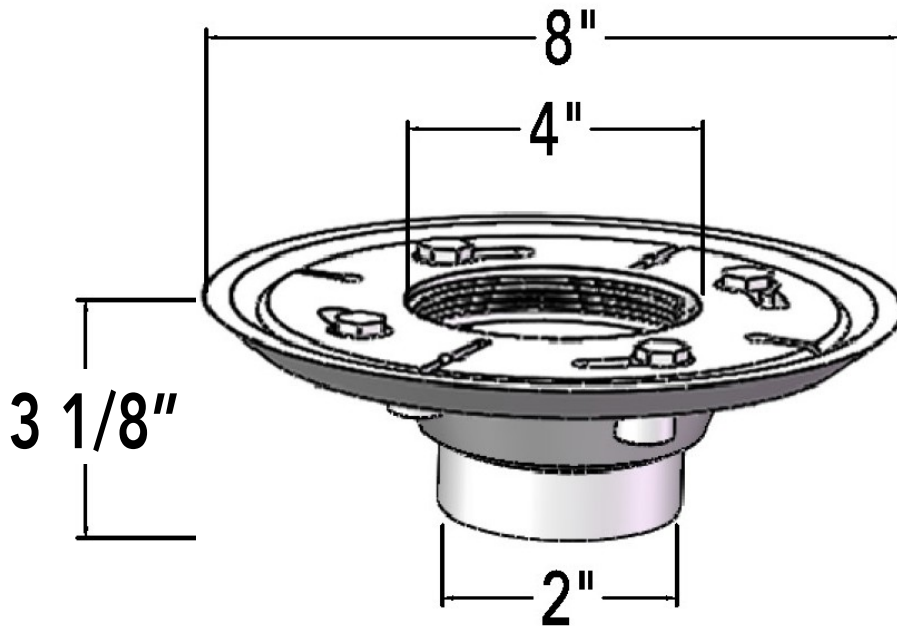


CDP 42 Specifications

CDP 42:

- PVC Clamp Down Drain
- 4" Throat
- 2" Outlet
- 8" overall diameter



Note: Installer must verify all rough-in dimensions prior to installation and consult local and national codes. Conformity and compliance to local and national codes are the responsibility of the installer.

Infinity Drain
18 Secatoag Avenue
Port Washington, NY 11050
Phone: 516.767.6786
Fax: 516.740.3066
www.InfinityDrain.com