

# ID Infinity Drain



## XD 5-3 Center Drain Series

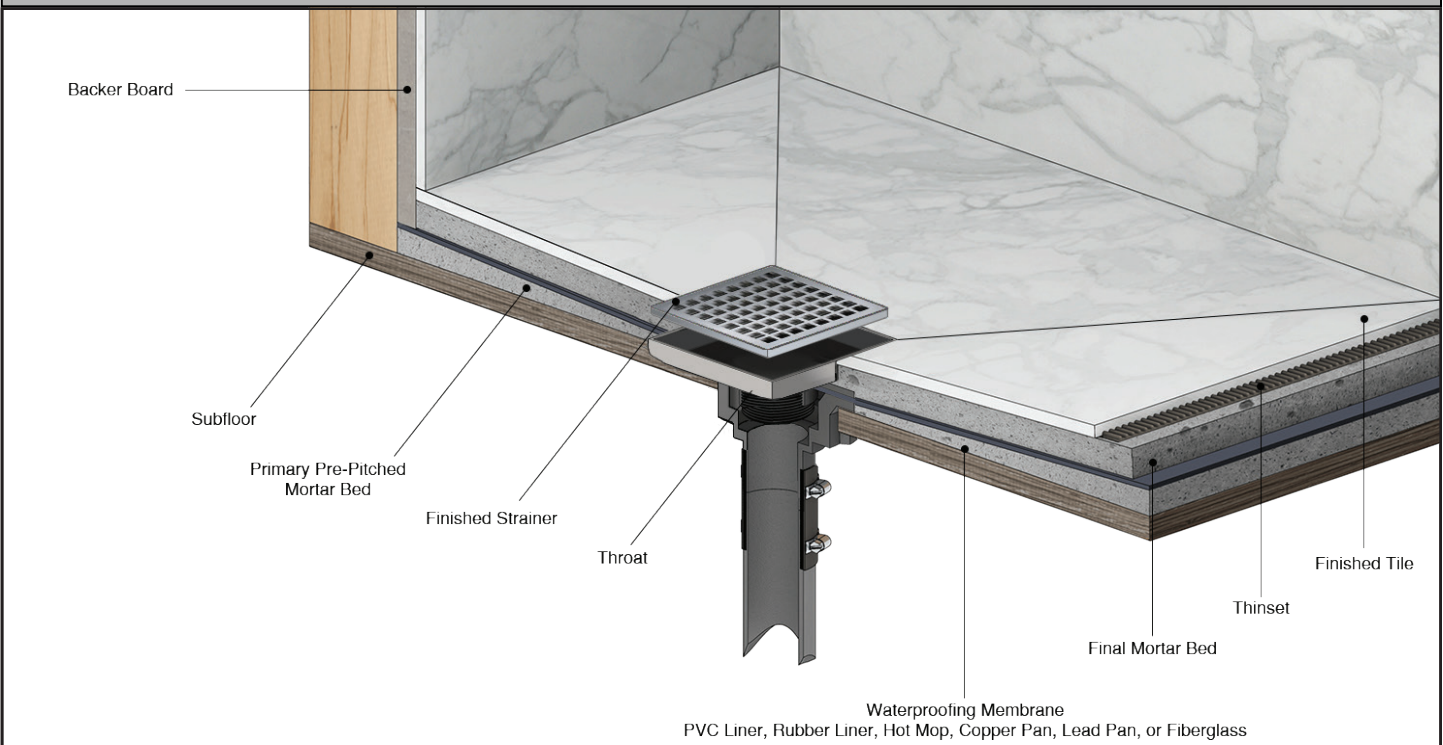
### Complete Kits:

- XD 5-3I
- XD 5-3P
- XD 5-3A

### Features

- 3/16" thick decorative plate
- 3/8" depth throat
- 304L Stainless Steel Throat and Decorative Plate
- Indoor/outdoor use
- Grate can be removed completely for cleaning
- Requires traditional 4-way floor pitch
- Flow rate 21 GPM with 3" outlet

### Installation



### Care & Maintenance

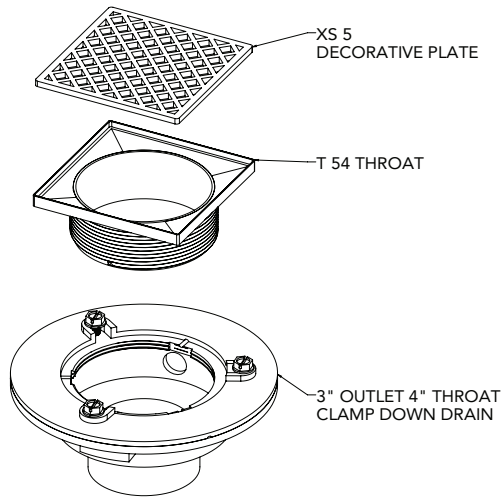
durable. Bar Keepers Friend® and Soft Scrub® are commonly available products that can be used to protect and clean your Satin Stainless drain cover. For stains that have been left for an excessive amount of time, stronger cleaning agents such as Steel Brite® may be needed. For Polished Stainless and other finishes we recommend a mild soap and a soft cloth for cleaning. DO NOT use any abrasive cleaners, scrub pads or allow household cleaning agents, such as bleach, to sit on the drain cover for a long period of time. Stainless steel does not rust. External factors, such as contamination from other highly ferrous metals, built up road salt, sea salt, or chlorine may have caused "surface" rust which can be removed using Barkeepers Friend®, Soft Scrub® with Bleach, or Steel Brite®. Always follow the directions on the bottle. Follow proper maintenance procedures to prevent excessive surface rust. In areas of frequent exposure to salt, chlorine, and other chemical compounds, maintenance of the stainless grates should be performed at least 2-3 times per year.

**Infinity Drain**  
145 Dixon Avenue  
Amityville, NY 11701  
Phone: 516.767.6786  
Fax: 516.740.3066  
www.Infinity Drain.com



NOTE: Installer must verify all rough-in dimensions prior to installation and consult local and national codes. Conformity and compliance to local and national codes are the responsibility of the installer.

# XD 5-3 Specifications



## Components:

### XD 5-3I

#### 5" x 5" Kit with Cast Iron Drain Body No Hub Outlet

- (5" L x 5" W x 3/8" H) - Strainer
- 1 - XS 5 Criss-Cross Decorative Plate
- 1 - T 54 Throat
- 1 - CDI 43 Clamp Down Drain Cast Iron
- 1 - HS 4 Hair Strainer
- 1 - DKEY Lift Out Key

### XD 5-3A

#### 5" x 5" Kit with ABS Drain Body

- (5" L x 5" W x 3/8" H) - Strainer
- 1 - XS 5 Criss-Cross Decorative Plate
- 1 - T 54 Throat
- 1 - CDA 43 Clamp Down Drain ABS
- 1 - HS 4 Hair Strainer
- 1 - DKEY Lift Out Key

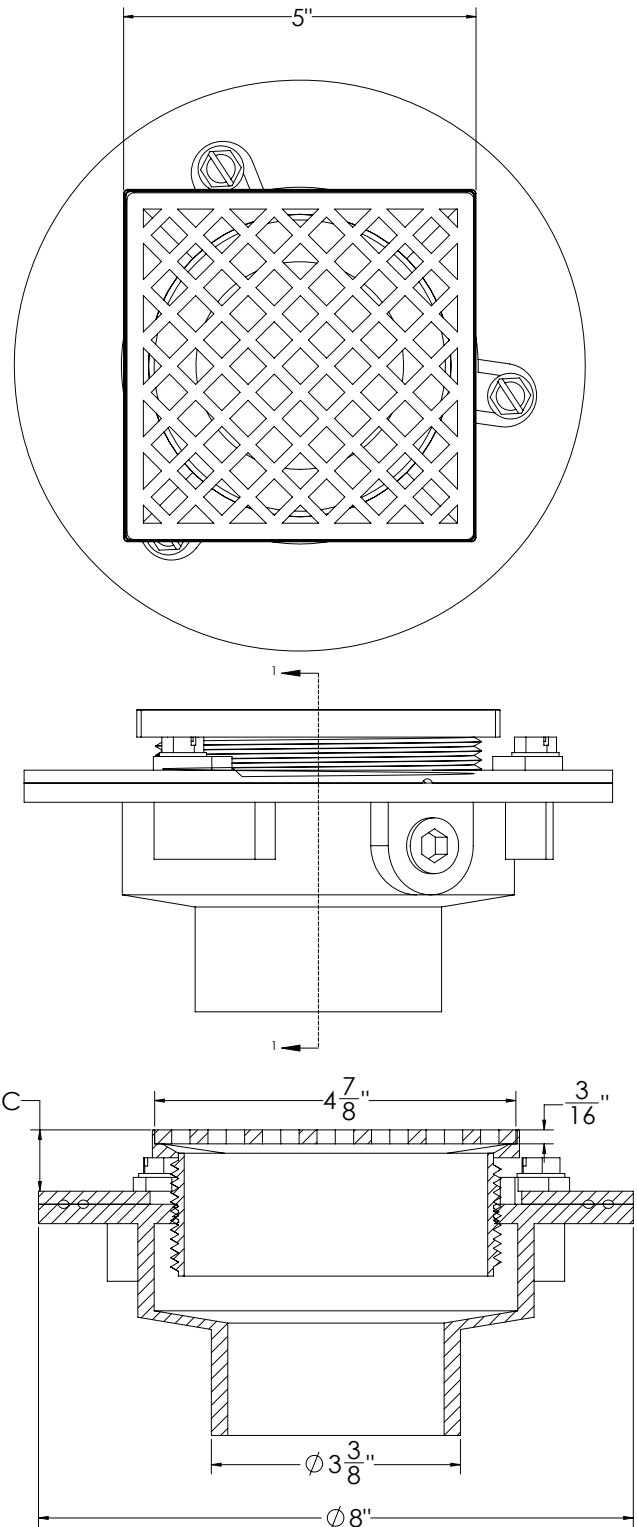
### XD 5-3P

#### 5" x 5" Kit with PVC Drain Body

- (5" L x 5" W x 3/8" H) - Strainer
- 1 - XS 5 Criss-Cross Decorative Plate
- 1 - T 54 Throat
- 1 - CDP 43 Clamp Down Drain PVC
- 1 - HS 4 Hair Strainer
- 1 - DKEY Lift Out Key

## Finishes:

- Satin Stainless (SS)
- Polished Stainless (PS)
- Oil Rubbed Bronze (ORB)
- Satin Bronze (SB)



SECTION 1-1

C Dimension	Drain Body:	CDI 43	CDP 43	CDA 43
	Height:	13/16"	1/2"	1/2"

**Infinity Drain**  
145 Dixon Avenue  
Amityville, NY 11701  
Phone: 516.767.6786  
Fax: 516.740.3066  
www.InfinityDrain.com



NOTE: Installer must verify all rough-in dimensions prior to installation and consult local and national codes. Conformity and compliance to local and national codes are the responsibility of the installer.