



UTIF Series

Universal Infinity Drain™

- UTIF 24 - 24" Complete Kit
- UTIF 30 - 30" Complete Kit
- UTIF 32 - 32" Complete Kit
- UTIF 36 - 36" Complete Kit
- UTIF 42 - 42" Complete Kit
- UTIF 48 - 48" Complete Kit
- UTIF 54 - 54" Complete Kit
- UTIF 60 - 60" Complete Kit

Features

- Pre-pitched channel available in ABS, PVC, or High Temperature Polycarbonate
- 18 Gauge 304L clamping collar
- 16 Gauge 304L tile insert can be removed for cleaning
- Two clamping collar heights available (1/2" or 1")
- Clamping collar can be used facing up or down
- Compatible with Traditional **OR** Contemporary Waterproofing
 - Traditional Waterproofing: PVC Liner, Rubber Liner, Hot Mop, Copper Pan, Lead Pan, or Fiberglass
 - Contemporary Waterproofing: liquid applied or fabric sheet membrane
- Flow rate - 9 gpm per outlet
 - Flow rate measured at outlet only. Measurement does not account for water in channel or sheeting on shower floor.

Installation



Care & Maintenance

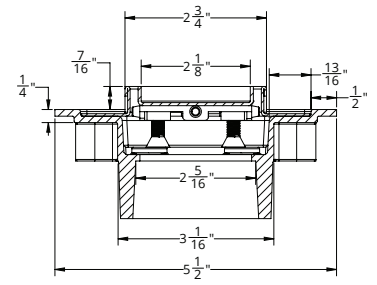
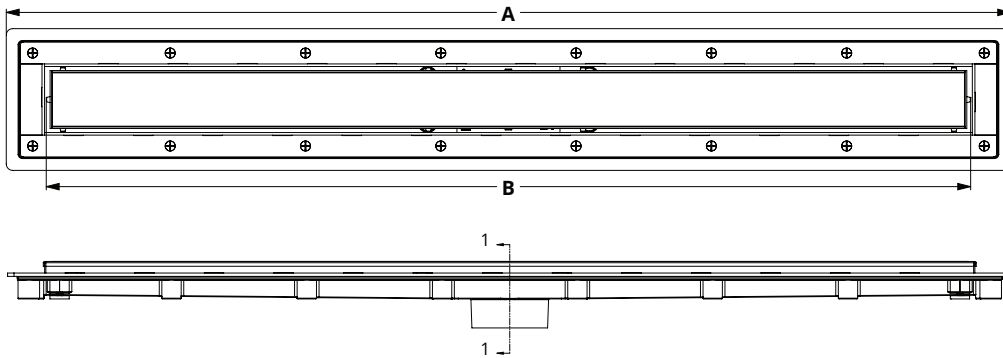
UTIF Series stainless steel linear grates are made of 304L stainless steel. This material is non-porous, hygienic, rust-free and extremely durable. Bar Keepers Friend® and Soft Scrub® are commonly available products that can be used to protect and clean your Satin Stainless drain cover. For stains that have been left for an excessive amount of time, stronger cleaning agents such as Steel Brite® may be needed. For Polished Stainless and other finishes we recommend a mild soap and a soft cloth for cleaning. DO NOT use any abrasive cleaners, scrub pads or all household cleaning agents, such as bleach, to sit on the drain cover for a long period of time. Stainless steel does not rust. External factors, such as contamination from other highly ferrous metals, built up road salt, sea salt, or chlorine may have caused "surface" rust which can be removed using Barkeepers Friend®, Soft Scrub®, or Steel Brite®. Always follow the directions on the bottle. Follow proper maintenance procedures to prevent excessive surface rust. In areas of frequent exposure to salt, chlorine, and other chemical compounds, maintenance of the stainless grates should be performed at least 2-3 times per year.

Infinity Drain
 145 Dixon Avenue
 Amityville, NY 11701
 Phone: 516.767.6786
 Fax: 516.740.3066
 www.infinitydrain.com

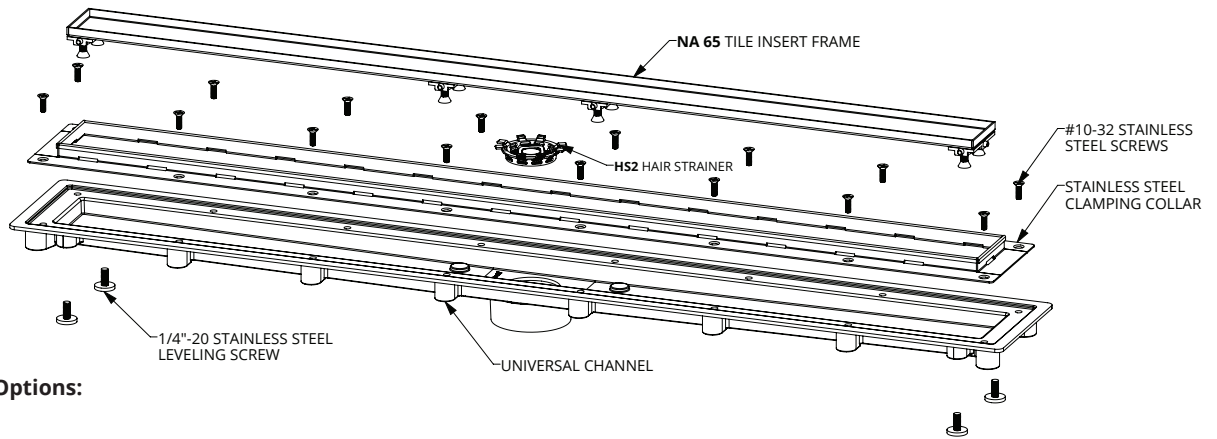


NOTE: Installer must verify all rough-in dimensions prior to installation and consult local and national codes. Conformity and compliance to local and national codes are the responsibility of the installer.

ID Infinity Drain®



SECTION 1-1



Channel Material Options:

- A = ABS
- P = PVC
- H = Polycarbonate
(for Hot Mop)

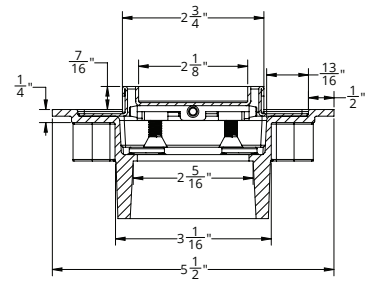
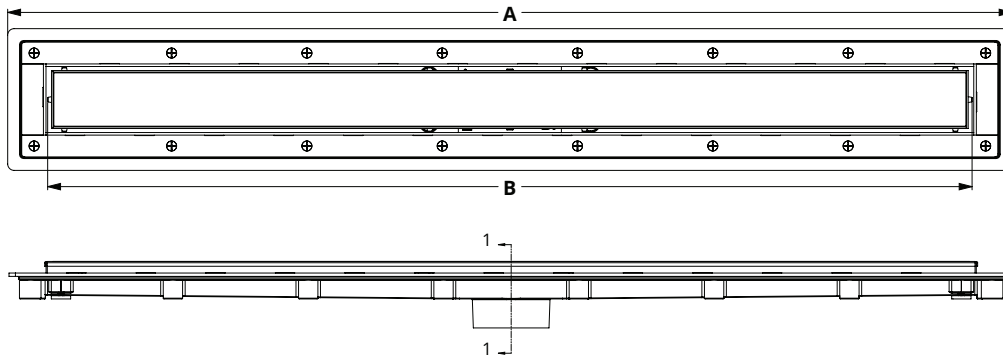
Model Number	Complete Kit Contents	A (Maximum Overall Length)	B (Maximum Slot Length)
<input type="checkbox"/> UTIF 24-A UTIF 24-P UTIF 24-H	1 - NA 6524 Tile Insert Frame 1 - UC 24 Channel 1 - CC 24 Clamping Collar 1 - HS 2 Hair Strainer 1 - AKEY Lift Out Key	27"	23 7/8"
<input type="checkbox"/> UTIF 30-A UTIF 30-P UTIF 30-H	1 - NA 6530 Tile Insert Frame 1 - UC 30 Channel 1 - CC 30 Clamping Collar 1 - HS 2 Hair Strainer 1 - AKEY Lift Out Key	33"	29 7/8"
<input type="checkbox"/> UTIF 32-A UTIF 32-P UTIF 32-H	1 - NA 6532 Tile Insert Frame 1 - UC 32 Channel 1 - CC 32 Clamping Collar 1 - HS 2 Hair Strainer 1 - AKEY Lift Out Key	35"	31 7/8"
<input type="checkbox"/> UTIF 36-A UTIF 36-P UTIF 36-H	1 - NA 6536 Tile Insert Frame 1 - UC 36 Channel 1 - CC 36 Clamping Collar 1 - HS 2 Hair Strainer 1 - AKEY Lift Out Key	39"	35 7/8"

Infinity Drain
145 Dixon Avenue
Amityville, NY 11701
Phone: 516.767.6786
Fax: 516.740.3066
www.infinitydrain.com

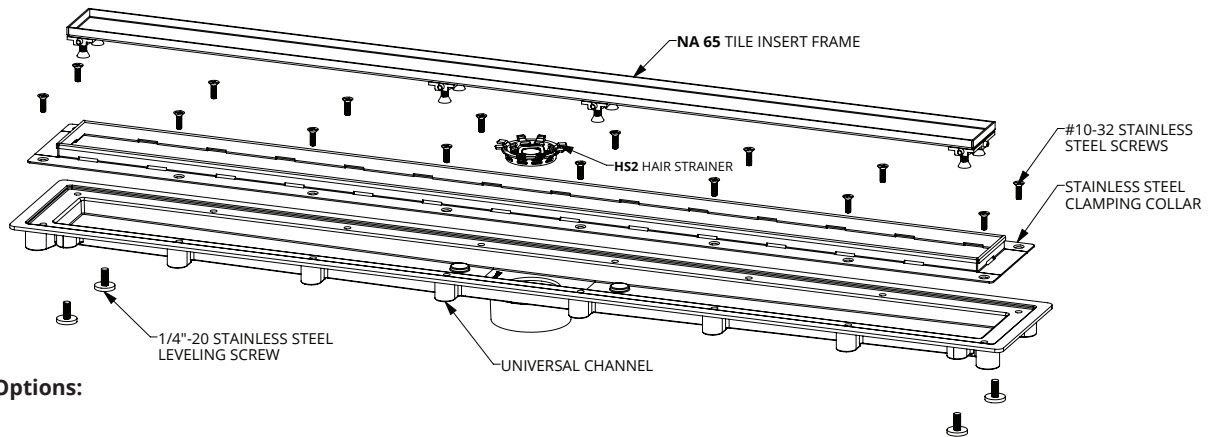


NOTE: Installer must verify all rough-in dimensions prior to installation and consult local and national codes. Conformity and compliance to local and national codes are the responsibility of the installer.

ID Infinity Drain



SECTION 1-1



Channel Material Options:

- A = ABS
- P = PVC
- H = Polycarbonate
(for Hot Mop)

Model Number	Complete Kit Contents	A (Maximum Overall Length)	B (Maximum Slot Length)
<input type="checkbox"/> UTIF 42-A UTIF 42-P UTIF 42-H	1 - NA 6542 Tile Insert Frame 1 - UC 42 Channel 1 - CC 42 Clamping Collar 1 - HS 2 Hair Strainer 1 - AKEY Lift Out Key	47"	41 7/8"
<input type="checkbox"/> UTIF 48-A UTIF 48-P UTIF 48-H	1 - NA 6548 Tile Insert Frame 1 - UC 48 Channel 1 - CC 48 Clamping Collar 1 - HS 2 Hair Strainer 1 - AKEY Lift Out Key	51"	47 7/8"
<input type="checkbox"/> UTIF 54-A UTIF 54-P UTIF 54-H	1 - NA 6554 Tile Insert Frame 1 - UC 54 Channel 1 - CC 54 Clamping Collar 1 - HS 2 Hair Strainer 1 - AKEY Lift Out Key	57"	53 7/8"
<input type="checkbox"/> UTIF 60-A UTIF 60-P UTIF 60-H	1 - NA 6560 Tile Insert Frame 1 - UC 60 Channel 1 - CC 60 Clamping Collar 1 - HS 2 Hair Strainer 1 - AKEY Lift Out Key	63"	59 7/8"

Infinity Drain
145 Dixon Avenue
Amityville, NY 11701
Phone: 516.767.6786
Fax: 516.740.3066
www.infinitydrain.com



NOTE: Installer must verify all rough-in dimensions prior to installation and consult local and national codes. Conformity and compliance to local and national codes are the responsibility of the installer.