

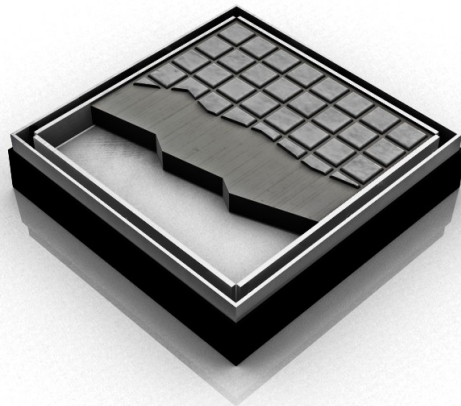
LTD 5 Series

LTD 5 | Tile Drain Series

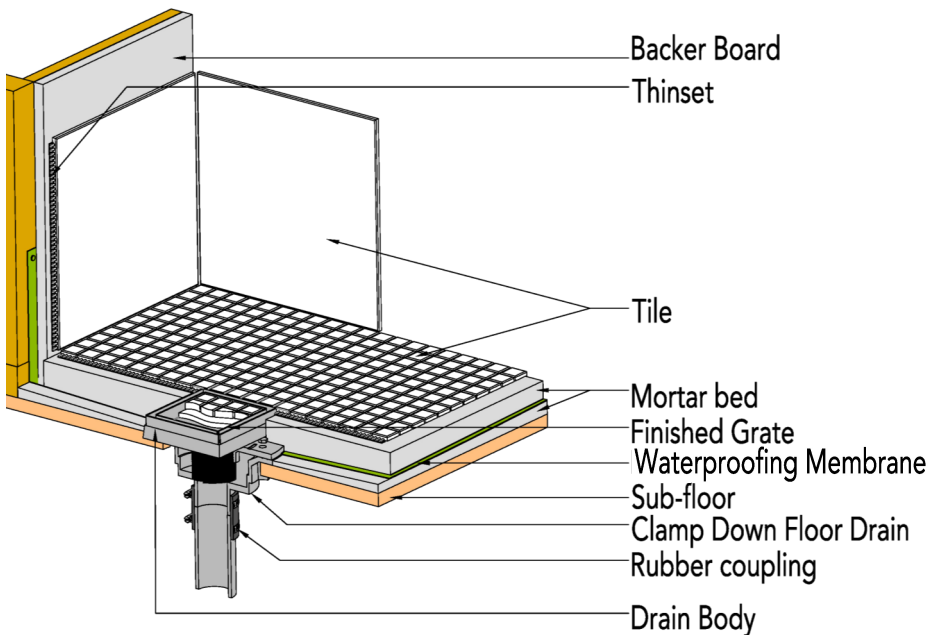
- 16 gauge 304 Stainless Steel top with ABS Base
- Indoor or outdoor use
- Residential grade drain body (Cast Iron, PVC or ABS) with 2" throat
- Uses Hot Mop, Lead Pan, PVC Vinyl Liner, Rubber Liner (Chloraloy™) Copper Pan or Fiberglass waterproofing
- Grate can be removed completely for cleaning
- Accepts flooring material up to 3/8"
- Requires traditional 4-way floor pitch
- Integral hair strainer
- Flow rate 8 GPM

Finishes:

- ___ Satin Stainless
- ___ Polished Stainless



Installation (TD) Center Drain



Complete Kits:

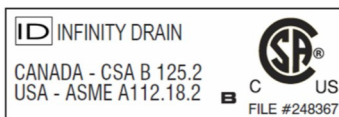
- LTD5-2I SS Clamp Down Drain Cast Iron
- LTD5-2I PS Clamp Down Drain Cast Iron
- LTD5-2A SS Clamp Down Drain ABS
- LTD5-2A PS Clamp Down Drain ABS
- LTD5-2P SS Clamp Down Drain PVC
- LTD5-2P PS Clamp Down Drain PVC

Components:

- LT5-2 SS 5" x 5" Strainer Only
- LT5-2 PS 5" x 5" Strainer Only
- CDI 22 Clamp Down Drain Cast Iron
- CDA 22 Clamp Down Drain ABS
- CDP 22 Clamp Down Drain PVC

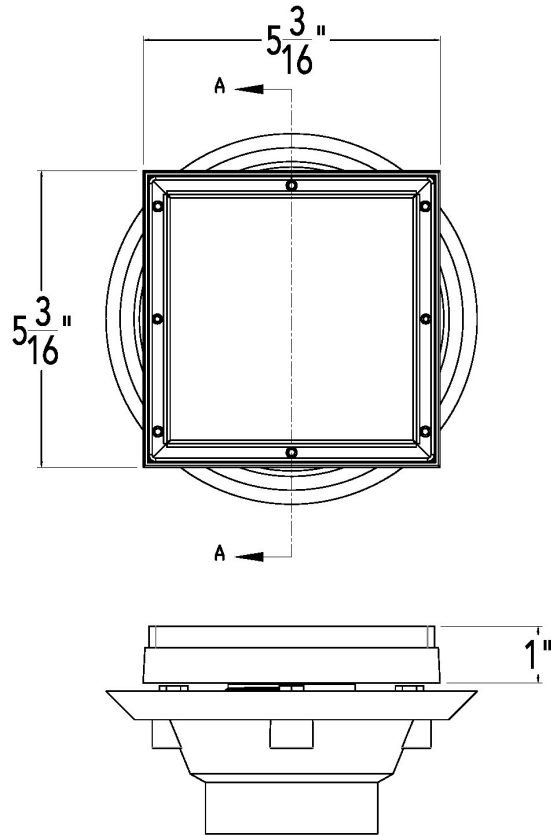
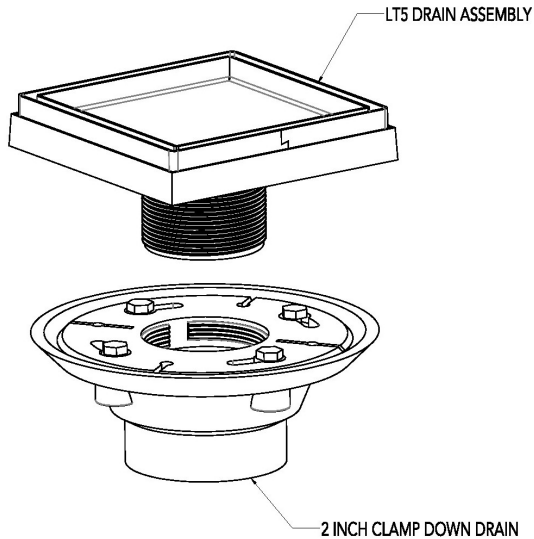
Infinity Drain

18 Secatoag Avenue
 Port Washington, NY 11050
 Phone: 516.767.6786
 Fax: 516.740.3066
 www.InfinityDrain.com



Note: Installer must verify all rough-in dimensions prior to installation and consult local and national codes. Conformity and compliance to local and national codes are the responsibility of the installer.

LTD 5 Specifications

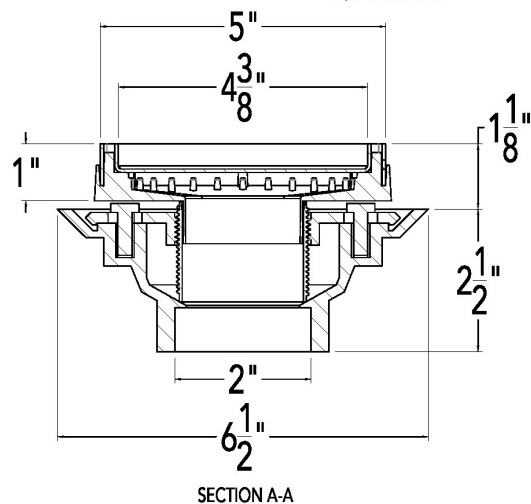


LTD5-2I SS
5" x 5" Kit with Cast Iron Drain Body
2" Outlet
 (5" L x 5" W x 1" H)
 1 - LT5-2 Tile Drain Strainer
 1 - CDI 22 Clamp Down Drain

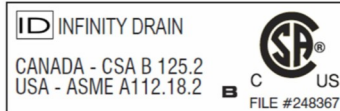
LTD5-2A SS
5" x 5" Kit with ABS Drain Body
2" Outlet
 (5" L x 5" W x 1" H)
 1 - LT5-2 Tile Drain Strainer
 1 - CDA 22 Clamp Down Drain

LTD5-2P SS
5" x 5" Kit with PVC Drain Body
2" Outlet
 (5" L x 5" W x 1" H)
 1 - LT5-2 Tile Drain Strainer
 1 - CDP 22 Clamp Down Drain

DRAIN CAN BE ADJUSTED
 UPWARD AN ADDITIONAL
 1 1/8" IN HEIGHT



Infinity Drain
 18 Secatoag Avenue
 Port Washington, NY 11050
 Phone: 516.767.6786
 Fax: 516.740.3066
 www.InfinityDrain.com



Note: Installer must verify all rough-in dimensions prior to installation and consult local and national codes. Conformity and compliance to local and national codes are the responsibility of the installer.