

FFED 25 Series

FFED 25 | Fixed Length

- 16 gauge 304 Stainless Steel grate and channel
- Pre-pitched channel with "Fixed" lengths and "Fixed" center vertical (down) outlet location
- Not site sizeable
- Indoor or outdoor use
- Bonded "Flange" installation for flush against the wall.
- Lowest height for curbless installations
- Uses Liquid and Fabric Sheet Membrane waterproofing
- Grate can be removed completely for cleaning
- Flow rate 9 GPM per outlet*

*Flow rate measured at outlet only. Measurement does not account for water in channel or sheeting on shower floor.

Finishes:

- ___ Satin Stainless
- ___ Polished Stainless



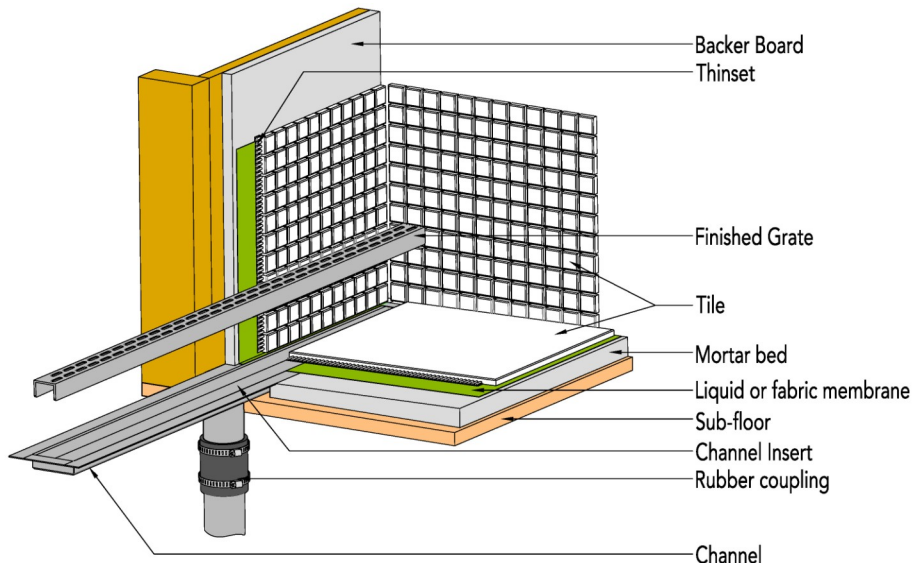
Complete Kits:

| | |
|-----------|------------------|
| FFED 2532 | 32" Complete Kit |
| FFED 2536 | 36" Complete Kit |
| FFED 2542 | 42" Complete Kit |
| FFED 2548 | 48" Complete Kit |
| FFED 2560 | 60" Complete Kit |

Components:

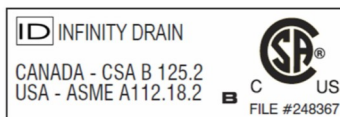
| | |
|---------|-----------------------------------|
| EA 2532 | 32" Stainless Steel Grate |
| EA 2536 | 36" Stainless Steel Grate |
| EA 2542 | 42" Stainless Steel Grate |
| EA 2548 | 48" Stainless Steel Grate |
| EA 2560 | 60" Stainless Steel Grate |
| FC 6532 | 32" Stainless Steel Fixed Channel |
| FC 6536 | 36" Stainless Steel Fixed Channel |
| FC 6542 | 42" Stainless Steel Fixed Channel |
| FC 6548 | 48" Stainless Steel Fixed Channel |
| FC 6560 | 60" Stainless Steel Fixed Channel |
| CI 2532 | 32" Channel Insert |
| CI 2536 | 36" Channel Insert |
| CI 2542 | 42" Channel Insert |
| CI 2548 | 48" Channel Insert |
| CI 2560 | 60" Channel Insert |

Installation (FF) Fixed Flange



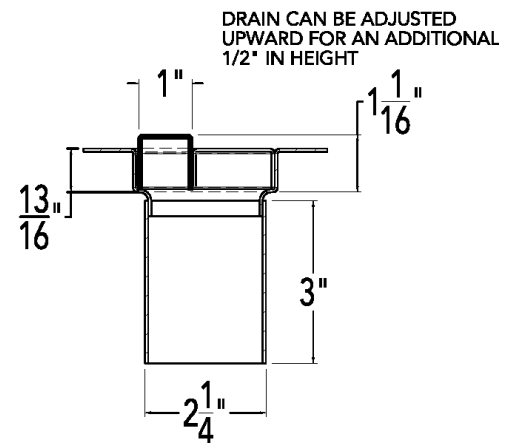
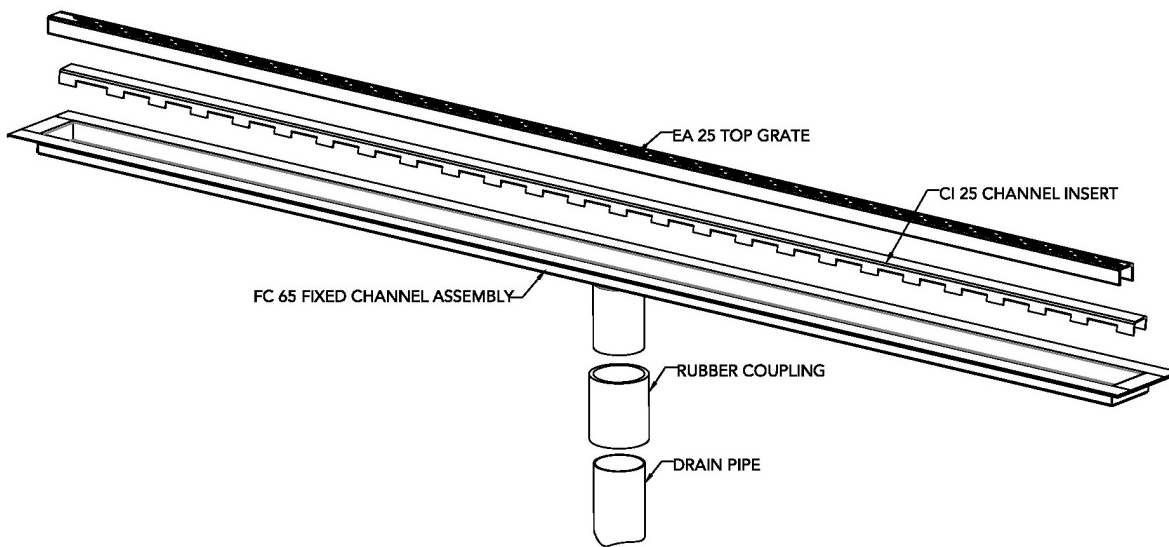
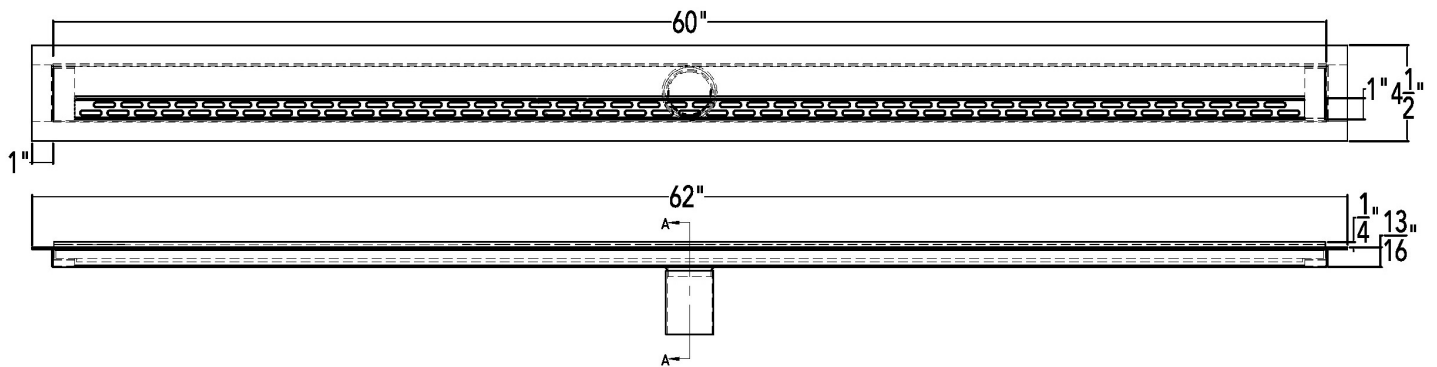
Infinity Drain

18 Secatoag Avenue
 Port Washington, NY 11050
 Phone: 516.767.6786
 Fax: 516.740.3066
 www.InfinityDrain.com



Note: Installer must verify all rough-in dimensions prior to installation and consult local and national codes. Conformity and compliance to local and national codes are the responsibility of the installer.

FFED 2560 Specifications



FFED 2560

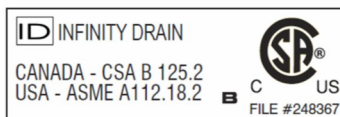
60" Complete Kit Includes:

(62 1/8" l x 4 1/2" w x 4 13/16" h)

- 1 - EA 2560 Grate
- 1 - FC 6560 Fixed Flange Channel
- 1 - CI 2560 Channel Insert

Infinity Drain

18 Secatoag Avenue
 Port Washington, NY 11050
 Phone: 516.767.6786
 Fax: 516.740.3066
 www.InfinityDrain.com



Note: Installer must verify all rough-in dimensions prior to installation and consult local and national codes. Conformity and compliance to local and national codes are the responsibility of the installer.