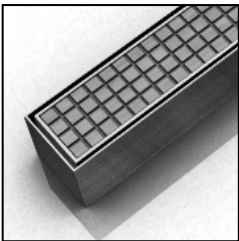


ID Infinity Drain



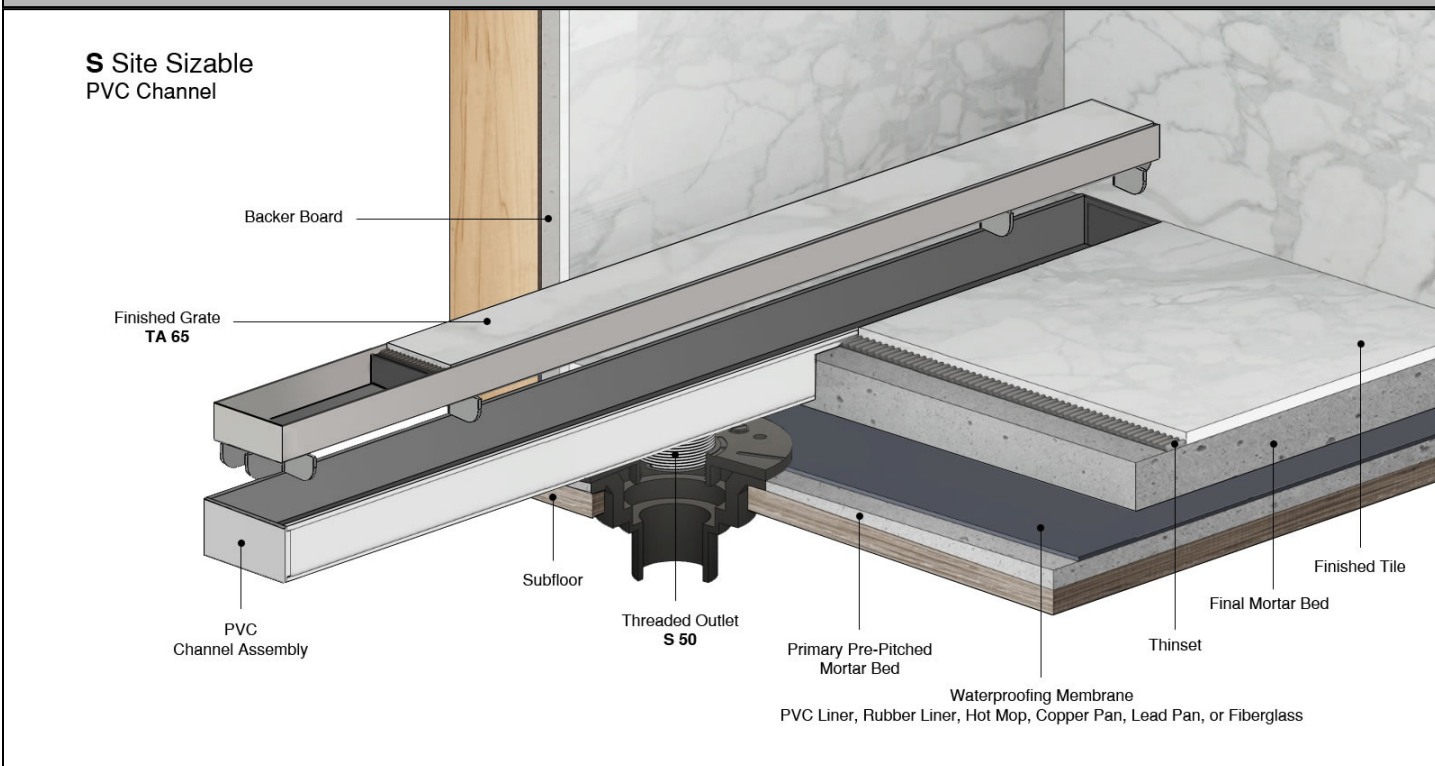
S-TIF 65 Series SITE SIZABLE PVC SUBMITTAL

- S-TIF 6540 - 40" Complete Kit
- S-TIF 6548 - 48" Complete Kit
- S-TIF 6560 - 60" Complete Kit
- S-TIF 6580 - 80" Complete Kit
- S-TIF 6596 - 96" Complete Kit

Features

- Modify length and outlet location on site
- Indoor or outdoor use
- PVC Channel
- 12 gauge, 304L stainless steel Tile Insert Frame
- Works with 2" clamp down floor with 2" throat/strainer size *(not included)*
- **NOT INTENDED** for installation across a barrier-free threshold
- Compatible with: PVC Liner, Rubber Liner (Chloraloy®), Hot Mop, Lead Pan, Copper Pan, or Fiberglass
- Flow rate - 9 gpm per outlet
 - Flow rate measured at outlet only. Measurement does not account for water in channel or sheeting on shower floor.
 - Additional outlets can be added and combined into a larger waste line to increase flow rates

Installation



Care & Maintenance

S-TIF 65 stainless steel linear drain top grates are made of 304L stainless steel. This material is non-porous, hygienic, rust-free and extremely durable. Bar Keepers Friend® and Soft Scrub® are commonly available products that can be used to protect and clean your Satin Stainless drain cover. For stains that have been left for an excessive amount of time, stronger cleaning agents such as Compound 302® may be needed. For Polished Stainless and Oil Rubbed Bronze we recommend a mild soap and a soft cloth for cleaning. DO NOT use any abrasive cleaners, scrub pads or allow household cleaning agents, such as bleach, to sit on the drain cover for a long period of time. Stainless steel does not rust. External factors, such as contamination from other highly ferrous metals, built up road salt, sea salt, or chlorine may have caused "surface" rust which can be removed using Barkeepers Friend®, Soft Scrub® with Bleach, or Compound 302®. Always follow the directions on the bottle. Follow proper maintenance procedures to prevent excessive surface rust. In areas of frequent exposure to salt, chlorine, and other chemical compounds, maintenance of the stainless grates should be performed at least 2-3 times per year.

Infinity Drain
145 Dixon Avenue
Amityville, NY 11701
Phone: 516.767.6786
Fax: 516.740.3066
www.Infinitydrain.com



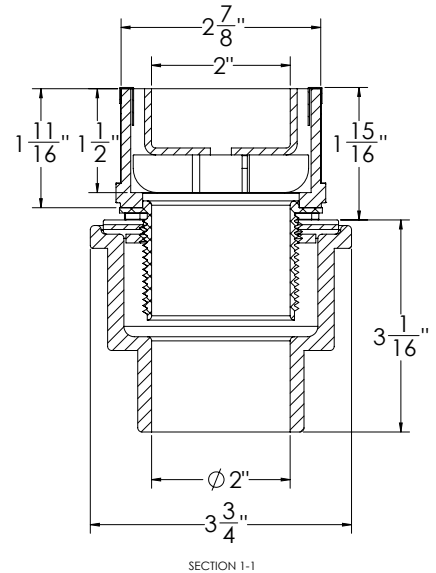
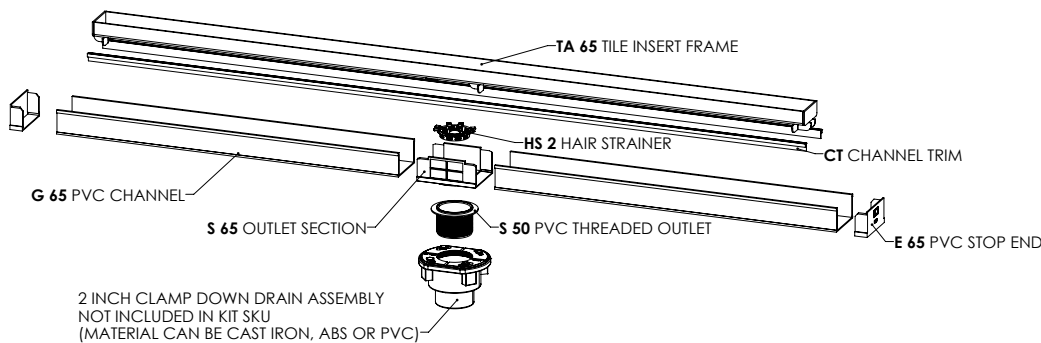
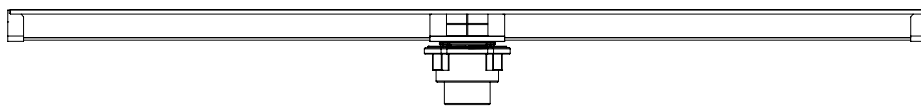
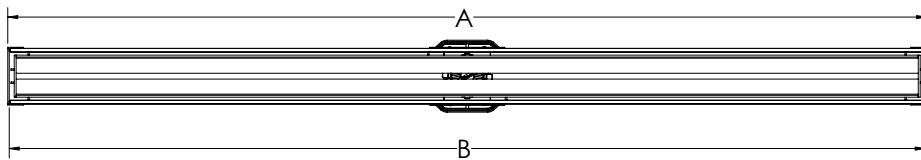
NOTE: Installer must verify all rough-in dimensions prior to installation and consult local and national codes. Conformity and compliance to local and national codes are the responsibility of the installer.

ID Infinity Drain

S-TIF 6540

S-TIF 6548

S-TIF 6560



SECTION A-A

Model Number	Complete Kit Contents	A (Maximum Overall Length)	B (Maximum Grate Length)
<input type="checkbox"/> S-TIF 6540	1 - TA 6540 Tile Insert Frame 1 - G 6540 PVC Channel 2 - E 65 PVC Stop End 1 - S 50 PVC Threaded Outlet 1 - HS 2 2" Hair Strainer 2 - CT 40 Channel Trim 1 - AKEY Lift Out Key	40"	39 7/8"
<input type="checkbox"/> S-TIF 6548	1 - TA 6548 Tile Insert Frame 1 - G 6548 PVC Channel 2 - E 65 PVC Stop End 1 - S 50 PVC Threaded Outlet 1 - HS 2 2" Hair Strainer 2 - CT 48 Channel Trim 1 - AKEY Lift Out Key	48"	47 7/8"
<input type="checkbox"/> S-TIF 6560	1 - TA 6560 Tile Insert Frame 1 - G 6560 PVC Channel 2 - E 65 PVC Stop End 1 - S 50 PVC Threaded Outlet 1 - HS 2 2" Hair Strainer 2 - CT 60 Channel Trim 1 - AKEY Lift Out Key	60"	59 7/8"

Finishes

Satin Stainless

Polished Stainless

Infinity Drain
 145 Dixon Avenue
 Amityville, NY 11701
 Phone: 516.767.6786
 Fax: 516.740.3066
 www.Infinitydrain.com

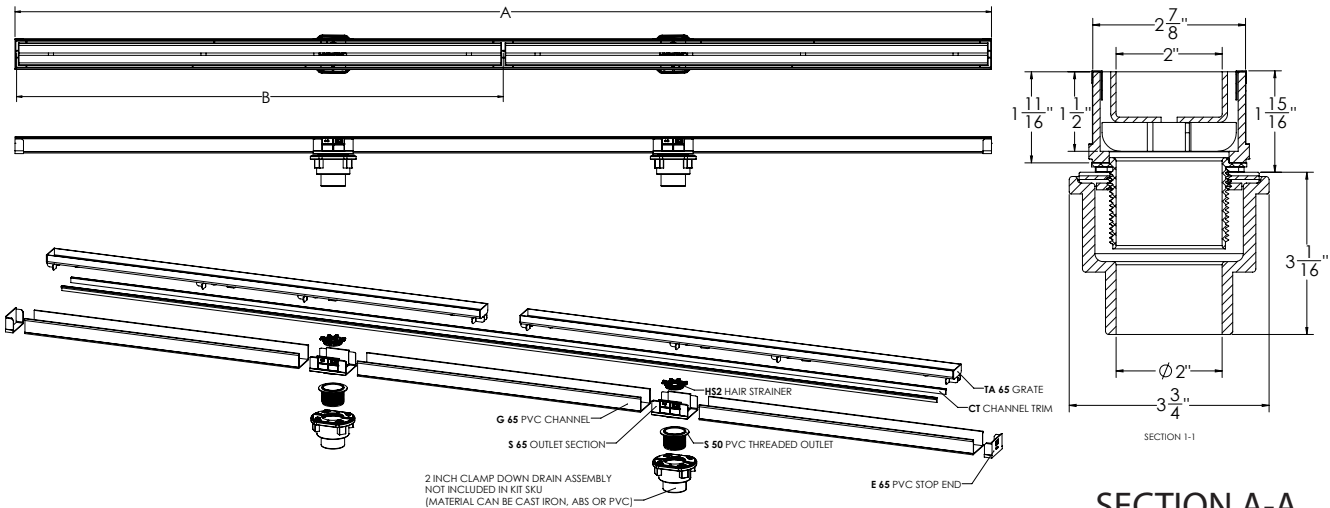


NOTE: Installer must verify all rough-in dimensions prior to installation and consult local and national codes. Conformity and compliance to local and national codes are the responsibility of the installer.

ID Infinity Drain

S-TIF 6580

S-TIF 6596



SECTION A-A

Model Number	Complete Kit Contents	A (Maximum Overall Length)	C (Minimum Height Above Waterproofing) * All heights can be adjusted upwards an additional 1-1/4"
S-TIF 6580	2 - TA 6540 Tile Insert Frame 1 - G 6580 PVC Channel 2 - E 65 PVC Stop End 2 - S 50 PVC Threaded Outlet 2 - HS 2 2" Hair Strainer 2 - CT 80 Channel Trim 1 - AKEY Lift Out Key	80"	With CDI 22: 1-15/16" With CDA 22: 1-15/16" With CDP 22: 1-15/16"
S-TIF 6596	2 - TA 6548 Stainless Steel Grate 1 - G 6596 PVC Channel 2 - E 65 PVC Stop End 2 - S 50 PVC Threaded Outlet 2 - HS 2 2" Hair Strainer 2 - CT 96 Channel Trim 1 - AKEY Lift Out Key	96"	With CDI 22: 1-15/16" With CDA 22: 1-15/16" With CDP 22: 1-15/16"

Optional Components		Available components for longer lengths			
F 65	PVC Non-Threaded Outlet	TA 6540	40" Tile Insert Frame	E 65	PVC Stop End
GJC 65	PVC Straight Joiner Strip	TA 6548	48" Tile Insert Frame	S 50	PVC Threaded Nipple
GAM 65	PVC 90° Angle Joiner	TA 6560	60" Tile Insert Frame	CT 36	36" Channel Trim
TNRN-P	PVC Threaded Extension Nipple	G 6536	36" PVC Channel	CT 48	48" Channel Trim
UCP 2	Universal 2" Clamping Plate	G 6548	48" PVC Channel	CT 60	60" Channel Trim
UCP 4	Universal 4" Clamping Plate	G 6560	60" PVC Channel	CT 96	96" Channel Trim
UCP 42	Universal Reducing Plate (Adapts 4" or 3" existing throat size to 2")	G 6596	96" PVC Channel	NOTE: For indoor applications and outdoor applications where exposure to users without footwear is possible Channel trim (CT) is not recommended on drains over 96" or drains with configurations that include turns. The installation of channel trim on site sizeable linear drains that fall within the outlined conditions listed are at the judgement of the installer, independent of Infinity Drain, LTD.	
Add Clamp Down Drain		G 6580	80" PVC Channel		
CDA 22	Clamp Down Drain ABS	G 65108	108" PVC Channel		
CDI 22	Clamp Down Drain Cast Iron				
CDP 22	Clamp Down Drain PVC				

Infinity Drain
 145 Dixon Avenue
 Amityville, NY 11701
 Phone: 516.767.6786
 Fax: 516.740.3066
 www.Infinitydrain.com



NOTE: Installer must verify all rough-in dimensions prior to installation and consult local and national codes. Conformity to local and national codes are the responsibility of the installer.