

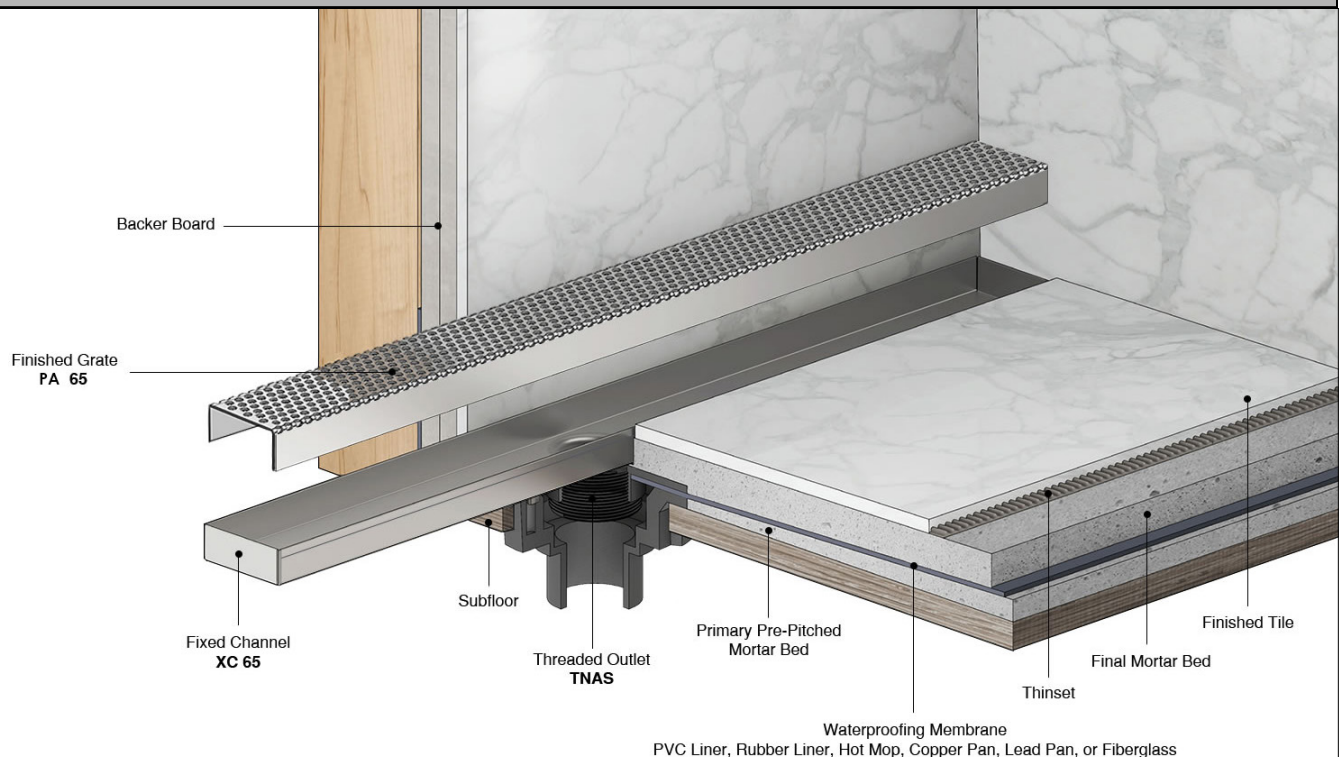
FXDG 65 Series FIXED LENGTH

- FXDG 6532 - 32" Complete Kit
- FXDG 6536 - 36" Complete Kit
- FXDG 6542 - 42" Complete Kit
- FXDG 6548 - 48" Complete Kit
- FXDG 6560 - 60" Complete Kit

Features

- Pre-pitched channel with "Fixed" lengths and "Fixed" center outlets
- Indoor or outdoor use
- Stainless steel channel
- 16 gauge, 304L stainless steel grate and channel
- Works with 2" clamp down floor with 2" throat/strainer size *(not included)*
- Compatible with: PVC Liner, Rubber Liner (Chloraloy®), Hot Mop, Lead Pan, Copper Pan, or Fiberglass
- Grate can be removed completely for cleaning
- Flow rate - 9 gpm per outlet
 - Flow rate measured at outlet only. Measurement does not account for water in channel or sheeting on shower floor.

Installation



Care & Maintenance

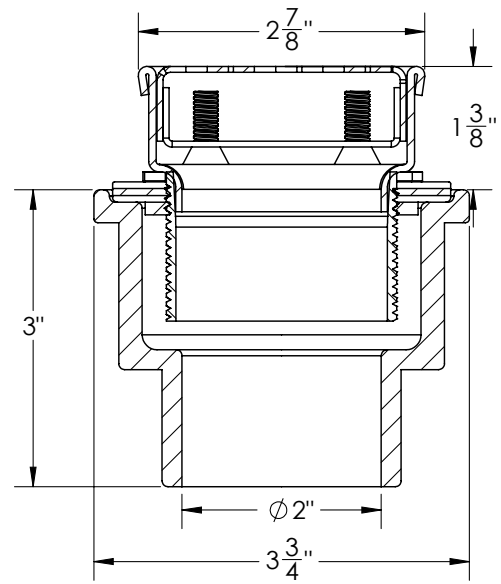
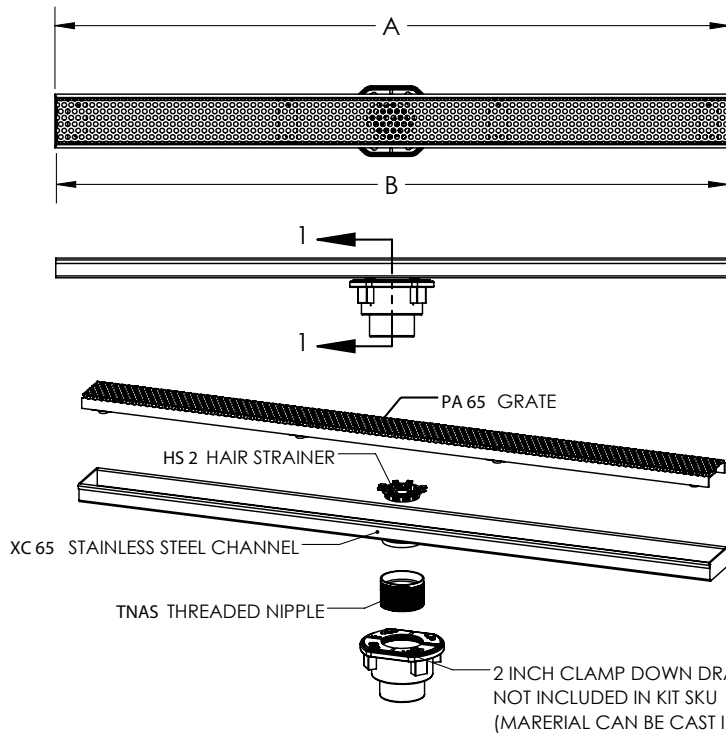
FXAS 65 stainless steel linear drain top grates are made of 316L stainless steel. This material is non-porous, hygienic, rust-free and extremely durable. Bar Keepers Friend® and Soft Scrub® are commonly available products that can be used to protect and clean your Satin Stainless drain cover. For stains that have been left for an excessive amount of time, stronger cleaning agents such as Steel Brite® may be needed. For Polished Stainless and Oil Rubbed Bronze we recommend a mild soap and a soft cloth for cleaning. DO NOT use any abrasive cleaners, scrub pads or all household cleaning agents, such as bleach, to sit on the drain cover for a long period of time. Stainless steel does not rust. External factors, such as contamination from other highly ferrous metals, built up road salt, sea salt, or chlorine may have caused "surface" rust which can be removed using Barkeepers Friend®, Soft Scrub® with Bleach, or Steel Brite®. Always follow the directions on the bottle. Follow proper maintenance procedures to prevent excessive surface rust. In areas of frequent exposure to salt, chlorine, and other chemical compounds, maintenance of the stainless grates should be performed at least 2-3 times per year.

Infinity Drain
145 Dixon Avenue
Amityville, NY 11701
Phone: 516.767.6786
Fax: 516.740.3066
www.Infinitydrain.com



NOTE: Installer must verify all rough-in dimensions prior to installation and consult local and national codes. Conformity and compliance to local and national codes are the responsibility of the installer.

ID Infinity Drain®



SECTION 1-1

Model Number	Complete Kit Contents	A (Maximum Overall Length)	B (Maximum Grate Length)
<input type="checkbox"/> FXDG 6532	1 - PA 6532 Stainless Steel Grate 1 - XC 6532 Fixed Channel 1 - TNAS Threaded Nipple 1 - HS 2 2" Hair Strainer 1 - DKEY Lift Out Key	32 1/8"	31 7/8"
<input type="checkbox"/> FXDG 6536	1 - PA 6536 Stainless Steel Grate 1 - XC 6536 Fixed Channel 1 - TNAS Threaded Nipple 1 - HS 2 2" Hair Strainer 1 - DKEY Lift Out Key	36 1/8"	35 7/8"
<input type="checkbox"/> FXDG 6542	1 - PA 6542 Stainless Steel Grate 1 - XC 6542 Fixed Channel 1 - TNAS Threaded Nipple 1 - HS 2 2" Hair Strainer 1 - DKEY Lift Out Key	42 1/8"	41 7/8"
<input type="checkbox"/> FXDG 6548	1 - PA 6548 Stainless Steel Grate 1 - XC 6548 Fixed Channel 1 - TNAS Threaded Nipple 1 - HS 2 2" Hair Strainer 1 - DKEY Lift Out Key	48 1/8"	47 7/8"
<input type="checkbox"/> FXDG 6560	1 - PA 6560 Stainless Steel Grate 1 - XC 6560 Fixed Channel 1 - TNAS Threaded Nipple 1 - HS 2 2" Hair Strainer 1 - DKEY Lift Out Key	60 1/8"	59 7/8"

Stock Finishes

Satin Stainless

Polished Stainless

Infinity Drain
145 Dixon Avenue
Amityville, NY 11701
Phone: 516.767.6786
Fax: 516.740.3066
www.Infinitydrain.com

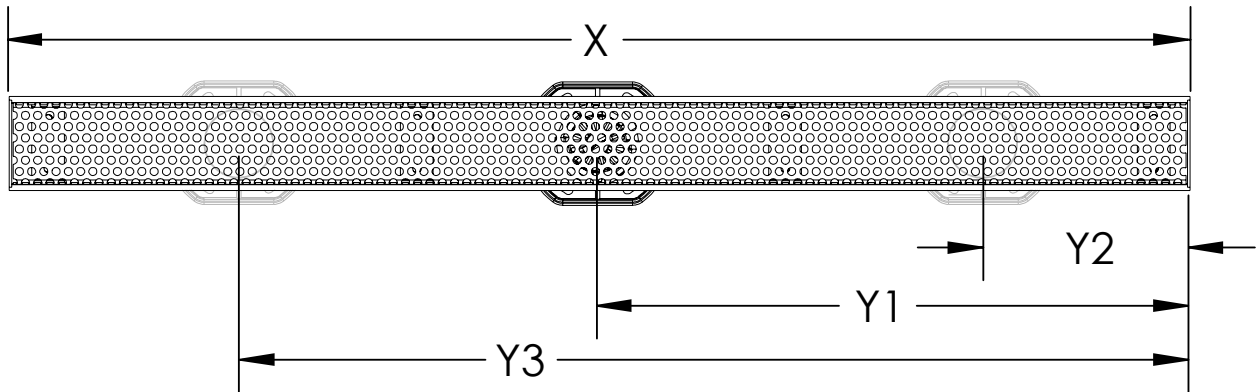


NOTE: Installer must verify all rough-in dimensions prior to installation and consult local and national codes. Conformity and compliance to local and national codes are the responsibility of the installer.

OPTIONAL COMPONENTS

TNAS-2	2" Long Stainless Steel Rescue Nipple
TNAS-3	3" Long Stainless Steel Rescue Nipple
TNAS-4	4" Long Stainless Steel Rescue Nipple
TNRN-S	Stainless Steel Extension Nipple
TNRN-P	PVC Extension Nipple
UCP 2	Universal 2" Clamping Plate
UCP 42	Universal Reducing Plate (Adapts 4" or 3" existing throat size to 2")
CDI 22	Clamp Down Drain, Cast Iron, 2" Throat, 2" No Hub Outlet
CDA 22	Clamp Down Drain, ABS, 2" Throat, 2" No Hub Outlet
CDP 22	Clamp Down Drain, PVC, 2" Throat, 2" No Hub Outlet
CDIT 22	Clamp Down Drain, Cast Iron, 2" Throat, 2" Threaded Outlet
CDIC 22	Clamp Down Drain, Cast Iron, 2" Throat, 2" Inside Caulk Outlet
CDIS 22	Clamp Down Drain, Cast Iron, Integral Trap 2" Throat, 2" Threaded Side Outlet
CDIQ 42	Clamp Down Drain, Cast Iron, Side Outlet No Trap 4" Throat, 2" Outlet (For use with UCP 42)

FXDG 65 CUSTOM



Custom Finishes

- Satin Stainless
 Polished Stainless
 Oil Rubbed Bronze
 Matte Black
 Matte White
 Satin Bronze

NOTE: Custom color matching available upon request

X: LENGTH: Overall Length of Channel (inches): _____

Desired finished dimension
For lengths greater than 60", multiple grates are supplied, unless otherwise noted.

Y: OUTLET LOCATION: _____ # of outlets | Center of Outlet(s) to right edge: Y1 _____ Y2 _____ Y3 _____

RUSH: Yes _____ NO _____
Rush charge applied per set-up. Turnaround is 5 business days, plus shipping. (Rush does not apply to some custom designs, please contact Infinity Drain for details)

Customer: _____

Job Name: _____

Approved by: _____

Date: _____

Infinity Drain
 145 Dixon Avenue
 Amityville, NY 11701
 Phone: 516.767.6786
 Fax: 516.740.3066
 www.Infinitydrain.com



NOTE: Installer must verify all rough-in dimensions prior to installation and consult local and national codes. Conformity and compliance to local and national codes are the responsibility of the installer.