

## FCSST Series

### Fixed Flange Slot Drain with Schluter® KERDI

- FCSST 24 - 24" Complete Kit
- FCSST 32 - 32" Complete Kit
- FCSST 36 - 36" Complete Kit
- FCSST 42 - 42" Complete Kit
- FCSST 48 - 48" Complete Kit
- FCSST 60 - 60" Complete Kit

#### Features

- Channel provided with factory applied Schluter® KERDI
- KERDI bond to channel covered under Infinity Drain warranty
- 16 gauge, 304L stainless steel slot and channel assembly
- 12 gauge Tile Insert clean out
- Pre - pitched channel
- Clean out can be removed for cleaning
- NOT Site Sizable®
- Compatible with: liquid applied or fabric sheet membranes
- Flow rate - 9 gpm per outlet
  - Flow rate measured at outlet only. Measurement does not account for water in channel or sheeting on shower floor.
  - Additional outlets can be added and combined into a larger waste line to increase flow rates

#### Installation



#### Care & Maintenance

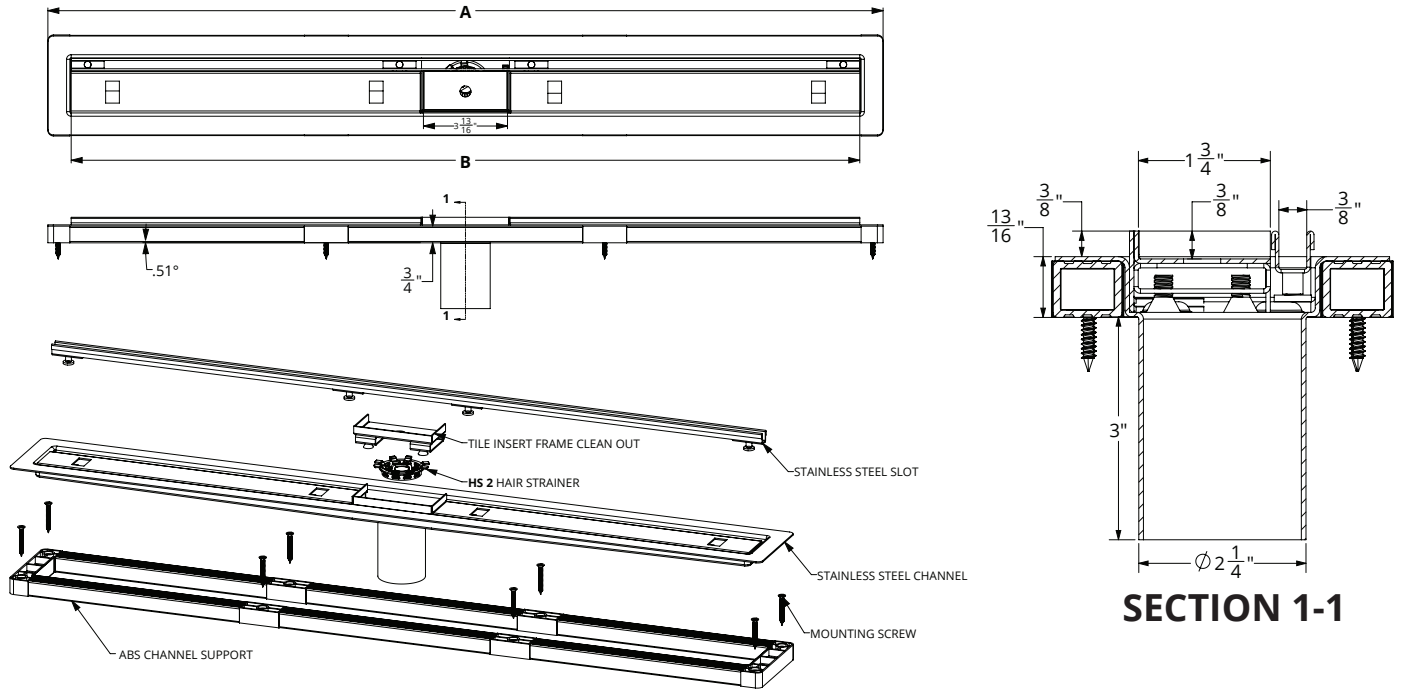
FCSST 65 stainless steel linear drains are made of 304L stainless steel. This material is non-porous, hygienic, rust-free and extremely durable. Bar Keepers Friend® and Soft Scrub® are commonly available products that can be used to protect and clean your Satin Stainless drain cover. For stains that have been left for an excessive amount of time, stronger cleaning agents such as Steel Brite® may be needed. For Polished Stainless and other finishes we recommend a mild soap and a soft cloth for cleaning. DO NOT use any abrasive cleaners, scrub pads or allow household cleaning agents, such as bleach, to sit on the drain cover for a long period of time. Stainless steel does not rust. External factors, such as contamination from other highly ferrous metals, built up road salt, sea salt, or chlorine may have caused "surface" rust which can be removed using Barkeepers Friend®, Soft Scrub®, or Steel Brite®. Always follow the directions on the bottle. Follow proper maintenance procedures to prevent excessive surface rust. In areas of frequent exposure to salt, chlorine, and other chemical compounds, maintenance of the stainless grates should be performed at least 2-3 times per year.

**Infinity Drain**  
 145 Dixon Avenue  
 Amityville, NY 11701  
 Phone: 516.767.6786  
 Fax: 516.740.3066  
 www.infinitydrain.com



NOTE: Installer must verify all rough-in dimensions prior to installation and consult local and national codes. Conformity and compliance to local and national codes are the responsibility of the installer.

# ID Infinity Drain®



Model Number	Complete Kit Contents	A (Maximum Overall Length)	B (Maximum Slot Length)
<input type="checkbox"/> FCSST 24	1 - 24" Slot 1 - CSST 24 Channel with Schluter® KERDI 1 - Tile Insert Clean Out 1 - HS 2 Hair Strainer 1 - AKEY Lift Out Key	26"	23 7/8"
<input type="checkbox"/> FCSST 32	1 - 32" Slot 1 - CSST 32 Channel with Schluter® KERDI 1 - Tile Insert Clean Out 1 - HS 2 Hair Strainer 1 - AKEY Lift Out Key	34"	31 7/8"
<input type="checkbox"/> FCSST 36	1 - 36" Slot 1 - CSST 36 Channel with Schluter® KERDI 1 - Tile Insert Clean Out 1 - HS 2 Hair Strainer 1 - AKEY Lift Out Key	38"	35 7/8"
<input type="checkbox"/> FCSST 42	1 - 42" Slot 1 - CSST 42 Channel with Schluter® KERDI 1 - Tile Insert Clean Out 1 - HS 2 Hair Strainer 1 - AKEY Lift Out Key	44"	41 7/8"
<input type="checkbox"/> FCSST 48	1 - 48" Slot 1 - CSST 48 Channel with Schluter® KERDI 1 - Tile Insert Clean Out 1 - HS 2 Hair Strainer 1 - AKEY Lift Out Key	50"	47 7/8"
<input type="checkbox"/> FCSST 60	1 - 60" Slot 1 - CSST 60 Channel with Schluter® KERDI 1 - Tile Insert Clean Out 1 - HS 2 Hair Strainer 1 - AKEY Lift Out Key	62"	59 7/8"

### Stock Finishes

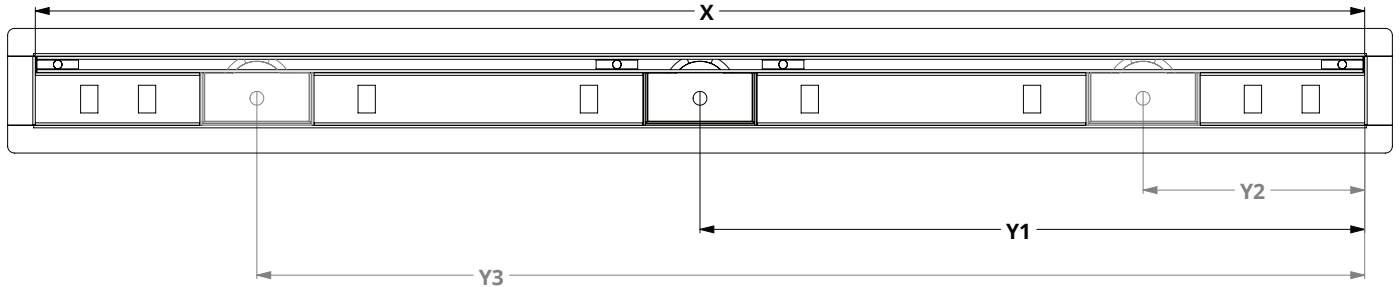
- Satin Stainless    
  Polished Stainless    
  Matte Black    
  Satin Bronze    
  Oil Rubbed Bronze

**Infinity Drain**  
 145 Dixon Avenue  
 Amityville, NY 11701  
 Phone: 516.767.6786  
 Fax: 516.740.3066  
 www.infinitydrain.com



NOTE: Installer must verify all rough-in dimensions prior to installation and consult local and national codes. Conformity and compliance to local and national codes are the responsibility of the installer.

**FCSST CUSTOM**



**Stock Finishes**

Satin Stainless     Polished Stainless     Matte Black     Satin Bronze     Oil Rubbed Bronze     Matte White

Other\* (specify): \_\_\_\_\_

\* Custom finishes can be made to match a sample provided by the customer. Contact Infinity Drain for availability of desired finish.

**X: LENGTH:** Overall Inside Length of Channel (inches): \_\_\_\_\_

Desired finished dimension  
For lengths greater than 60", multiple grates are supplied, unless otherwise noted.

**Y: OUTLET LOCATION:** \_\_\_\_\_ # of outlets | Center of Outlet(s) to inside right edge: Y1 \_\_\_\_\_ Y2 \_\_\_\_\_ Y3 \_\_\_\_\_

**RUSH:** Yes \_\_\_\_\_ NO \_\_\_\_\_

Rush charge applied per set-up. Turnaround is 5 business days, plus shipping. (Rush does not apply to some custom designs, please contact Infinity Drain for details)

\*ABS Channel Support not provided with custom orders

**Customer:** \_\_\_\_\_

**Job Name:** \_\_\_\_\_

**Approved by:** \_\_\_\_\_

**Date:** \_\_\_\_\_

**Infinity Drain**  
145 Dixon Avenue  
Amityville, NY 11701  
Phone: 516.767.6786  
Fax: 516.740.3066  
www.infinitydrain.com



NOTE: Installer must verify all rough-in dimensions prior to installation and consult local and national codes. Conformity and compliance to local and national codes are the responsibility of the installer.