

FCBST Series

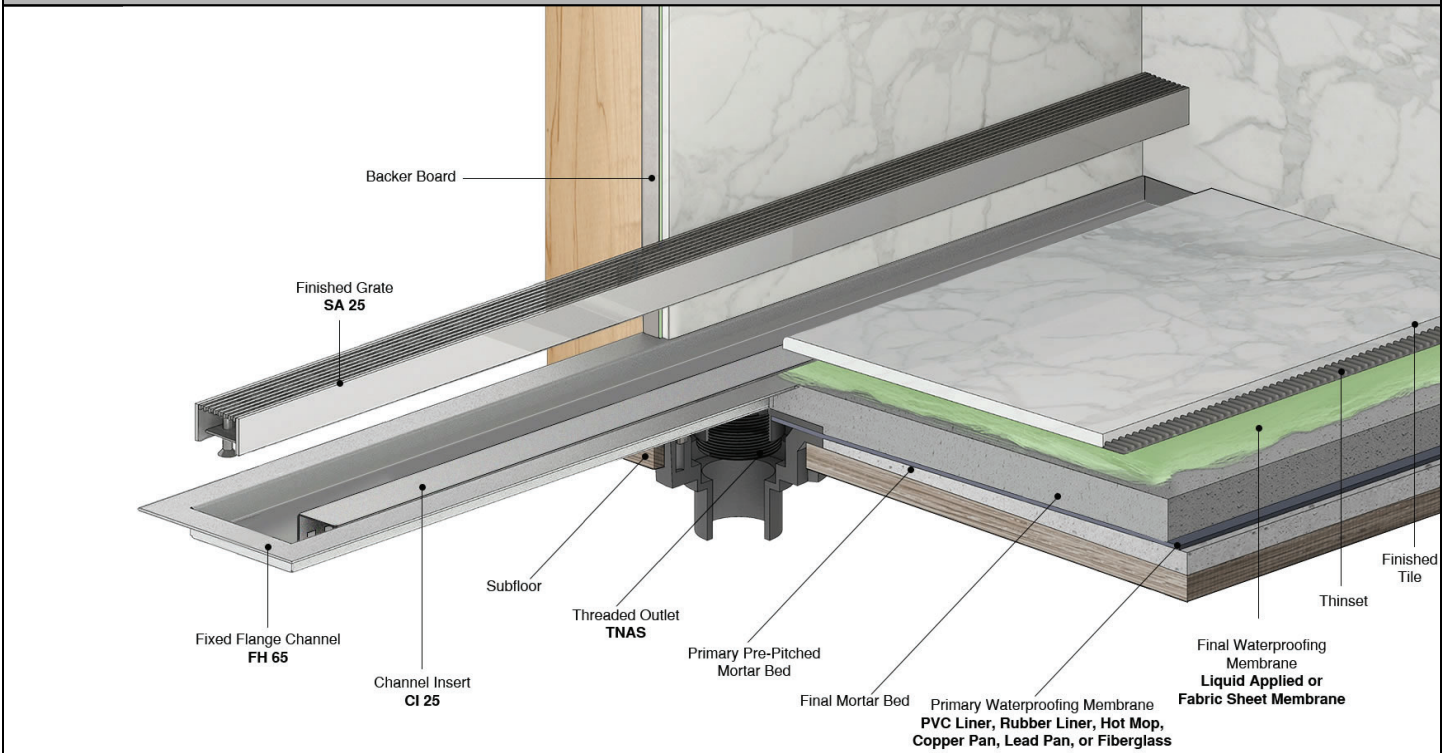
Fixed Flange Slot Drain

- FCBST 24 - 24" Complete Kit
- FCBST 32 - 32" Complete Kit
- FCBST 36 - 36" Complete Kit
- FCBST 42 - 42" Complete Kit
- FCBST 48 - 48" Complete Kit
- FCBST 60 - 60" Complete Kit

Features

- Indoor or outdoor use
- 16 gauge, 304L stainless steel grate and channel
- Pre - pitched channel
- Grate can be removed for cleaning
- NOT Site Sizable®
- Compatible with double waterproofing
 - Primary waterproofing: PVC Liner, Rubber Liner, Hot Mop, Copper Pan, Lead Pan, or Fiberglass
 - Secondary waterproofing: liquid applied or fabric sheet membrane
- Flow rate - 9 gpm per outlet
 - Flow rate measured at outlet only. Measurement does not account for water in channel or sheeting on shower floor.
 - Additional outlets can be added and combined into a larger waste line to increase flow rates

Installation



Care & Maintenance

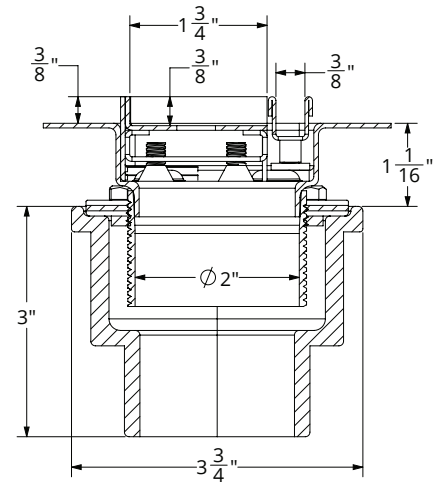
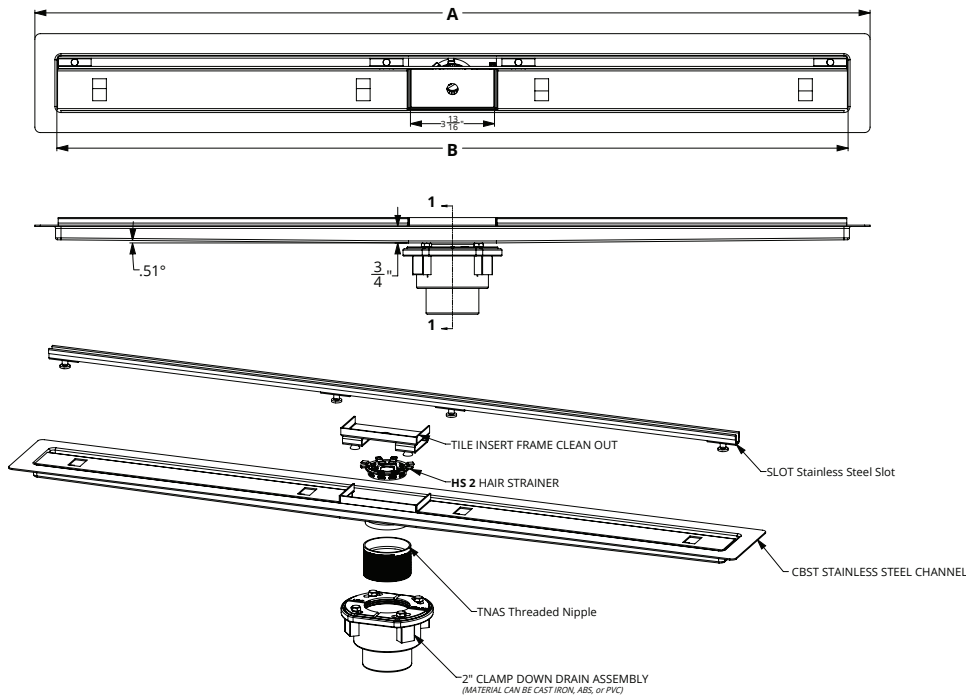
FCBST 65 stainless steel linear drains are made of 304L stainless steel. This material is non-porous, hygienic, rust-free and extremely durable. Bar Keepers Friend® and Soft Scrub® are commonly available products that can be used to protect and clean your Satin Stainless drain cover. For stains that have been left for an excessive amount of time, stronger cleaning agents such as Steel Brite® may be needed. For Polished Stainless and other finishes we recommend a mild soap and a soft cloth for cleaning. DO NOT use any abrasive cleaners, scrub pads or allow household cleaning agents, such as bleach, to sit on the drain cover for a long period of time. Stainless steel does not rust. External factors, such as contamination from other highly ferrous metals, built up road salt, sea salt, or chlorine may have caused "surface" rust which can be removed using Barkeepers Friend®, Soft Scrub®, or Steel Brite®. Always follow the directions on the bottle. Follow proper maintenance procedures to prevent excessive surface rust. In areas of frequent exposure to salt, chlorine, and other chemical compounds, maintenance of the stainless grates should be performed at least 2-3 times per year.

Infinity Drain
 145 Dixon Avenue
 Amityville, NY 11701
 Phone: 516.767.6786
 Fax: 516.740.3066
 www.infinitydrain.com



NOTE: Installer must verify all rough-in dimensions prior to installation and consult local and national codes. Conformity and compliance to local and national codes are the responsibility of the installer.

ID Infinity Drain®



SECTION 1-1

Model Number	Complete Kit Contents	A (Maximum Overall Length)	B (Maximum Slot Length)
<input type="checkbox"/> FCBST 24	1 - 24" Slot 1 - CBST 24 Fixed Flange Slot Channel 1 - Tile Insert Clean Out 1 - HS 2 Hair Strainer 1 - AKEY Lift Out Key	26"	23 7/8"
<input type="checkbox"/> FCBST 32	1 - 32" Slot 1 - CBST 32 Fixed Flange Slot Channel 1 - Tile Insert Clean Out 1 - HS 2 Hair Strainer 1 - AKEY Lift Out Key	34"	31 7/8"
<input type="checkbox"/> FCBST 36	1 - 36" Slot 1 - CBST 36 Fixed Flange Slot Channel 1 - Tile Insert Clean Out 1 - HS 2 Hair Strainer 1 - AKEY Lift Out Key	38"	35 7/8"
<input type="checkbox"/> FCBST 42	1 - 42" Slot 1 - CBST 42 Fixed Flange Slot Channel 1 - Tile Insert Clean Out 1 - HS 2 Hair Strainer 1 - AKEY Lift Out Key	44"	41 7/8"
<input type="checkbox"/> FCBST 48	1 - 48" Slot 1 - CBST 48 Fixed Flange Slot Channel 1 - Tile Insert Clean Out 1 - HS 2 Hair Strainer 1 - AKEY Lift Out Key	50"	47 7/8"
<input type="checkbox"/> FCBST 60	1 - 60" Slot 1 - CBST 60 Fixed Flange Slot Channel 1 - Tile Insert Clean Out 1 - HS 2 Hair Strainer 1 - AKEY Lift Out Key	62"	59 7/8"

Stock Finishes

- Satin Stainless Polished Stainless Matte Black Satin Bronze Oil Rubbed Bronze

Infinity Drain
145 Dixon Avenue
Amityville, NY 11701
Phone: 516.767.6786
Fax: 516.740.3066
www.infinitydrain.com

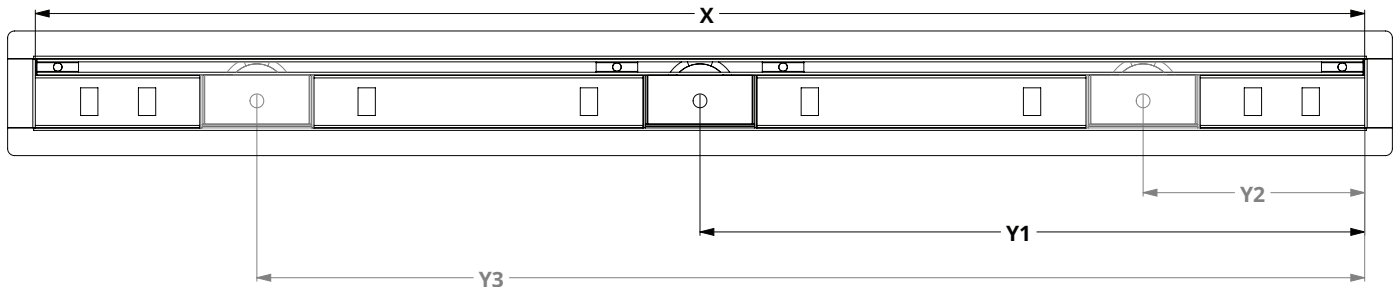


NOTE: Installer must verify all rough-in dimensions prior to installation and consult local and national codes. Conformity and compliance to local and national codes are the responsibility of the installer.

OPTIONAL COMPONENTS

TNAS - 2	2" Long Threaded Nipple
TNAS - 3	3" Long Threaded Nipple
TNAS - 4	4" Long Threaded Nipple
UCP 2	Universal 2" Clamping Plate
CDI 22	Clamp Down Drain, Cast Iron , 2" Throat, 2" No Hub Outlet
CDA 22	Clamp Down Drain, ABS , 2" Throat, 2" No Hub Outlet
CDP 22	Clamp Down Drain, PVC , 2" Throat, 2" No Hub Outlet
CDIT 22	Clamp Down Drain, Cast Iron , 2" Throat, 2" Threaded Outlet
CDIC 22	Clamp Down Drain, Cast Iron , 2" Throat, 2" Inside Caulk Outlet
CDIS 22	Clamp Down Drain, Cast Iron , Integral Trap 2" Throat, 2" Threaded Side Outlet

FCBST CUSTOM



Stock Finishes

- Satin Stainless
 Polished Stainless
 Matte Black
 Satin Bronze
 Oil Rubbed Bronze
 Matte White
 Other* (*specify*): _____

* Custom finishes can be made to match a sample provided by the customer. Contact Infinity Drain for availability of desired finish.

X: LENGTH: Overall Inside Length of Channel (inches): _____

Desired finished dimension
For lengths greater than 60", multiple grates are supplied, unless otherwise noted.

Y: OUTLET LOCATION: _____ # of outlets | Center of Outlet(s) to inside right edge: Y1 _____ Y2 _____ Y3 _____

RUSH: Yes _____ NO _____

Rush charge applied per set-up. Turnaround is 5 business days, plus shipping. (Rush does not apply to some custom designs, please contact Infinity Drain for details)

*ABS Channel Support not provided with custom orders

Customer: _____

Job Name: _____

Approved by: _____

Date: _____

Infinity Drain
145 Dixon Avenue
Amityville, NY 11701
Phone: 516.767.6786
Fax: 516.740.3066
www.infinitydrain.com



NOTE: Installer must verify all rough-in dimensions prior to installation and consult local and national codes. Conformity and compliance to local and national codes are the responsibility of the installer.