

A 38 Specifications

A 38:

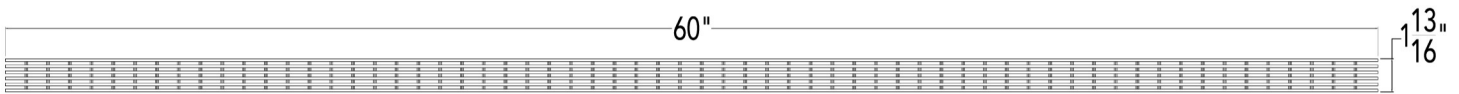
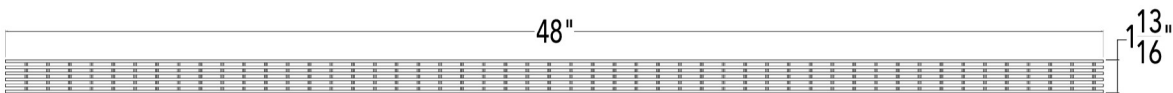
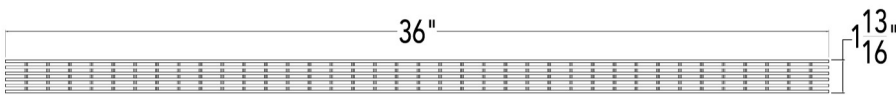
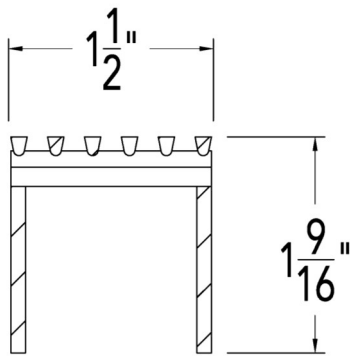
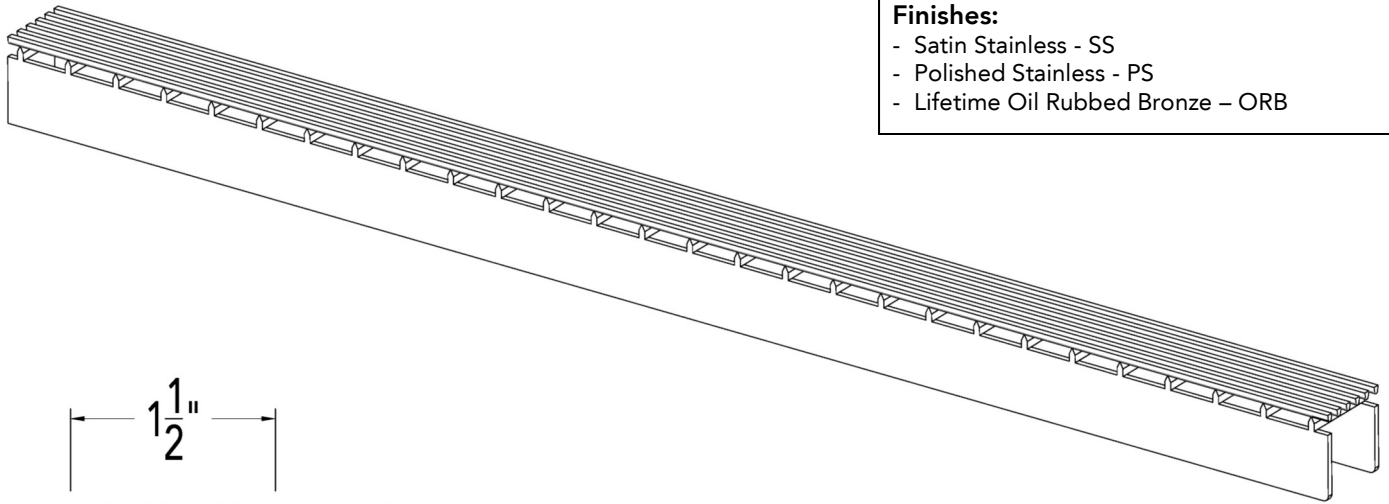
- Wedge wire grate for S-AG 38
- 12 gauge, 316 stainless steel
- 3mm wire, 3mm gap

Models (overall dimension):

- A 3836: 35-7/8" L x 1-1/2" W x 1-9/16" H
- A 3848: 47-7/8" L x 1-1/2" W x 1-9/16" H
- A 3860: 59-7/8" L x 1-1/2" W x 1-9/16" H

Finishes:

- Satin Stainless - SS
- Polished Stainless - PS
- Lifetime Oil Rubbed Bronze – ORB



Note: Installer must verify all rough-in dimensions prior to installation and consult local and national codes. Conformity and compliance to local and national codes are the responsibility of the installer.

Infinity Drain
 18 Secatoag Avenue
 Port Washington, NY 11050
 Phone: 516.767.6786
 Fax: 516.740.3066
 www.InfinityDrain.com

