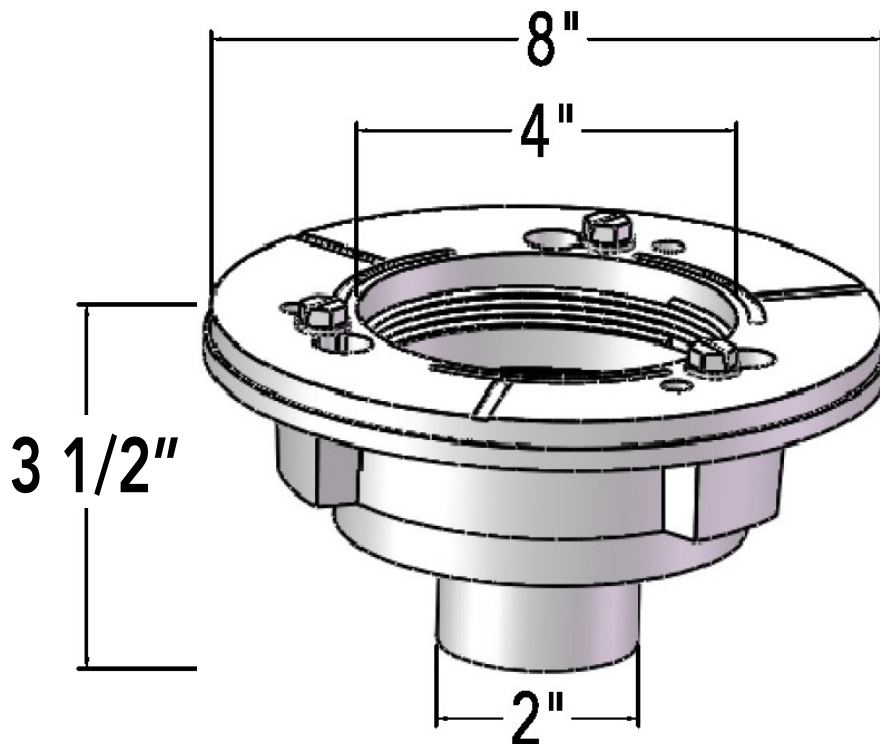


# CDI 42 Specifications

**CDI 42:**

- Cast Iron Clamp Down Drain
- 4" Throat
- 2" No Hub Outlet
- 8" overall diameter



**Infinity Drain**  
18 Secatoag Avenue  
Port Washington, NY 11050  
Phone: 516.767.6786  
Fax: 516.740.3066  
www.InfinityDrain.com

**Note:** Installer must verify all rough-in dimensions prior to installation and consult local and national codes. Conformity and compliance to local and national codes are the responsibility of the installer.